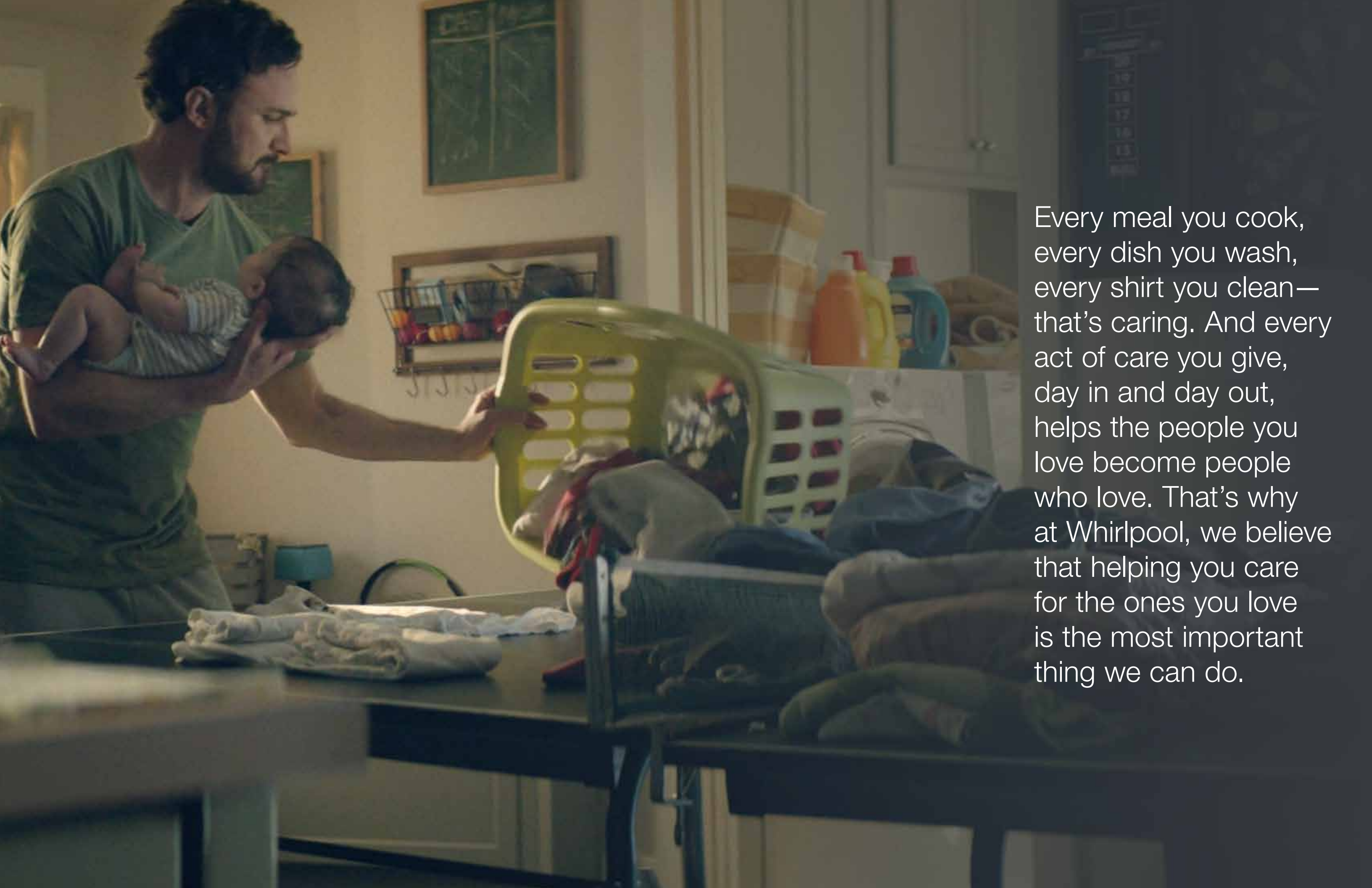


Whirlpool® | Every day, care.®



2018 Home Appliance Catalog

Whirlpool® | Every day, care.®



Every meal you cook, every dish you wash, every shirt you clean—that's caring. And every act of care you give, day in and day out, helps the people you love become people who love. That's why at Whirlpool, we believe that helping you care for the ones you love is the most important thing we can do.



As the #1 selling appliance brand in the U.S.A.,* Whirlpool brand is not only committed to making quality appliances, but to creating environments where every family can thrive. And we continue to stand behind the people in our own backyard and beyond with nationwide initiatives like the Care Counts™ laundry program.

*Based on 12-month average of unit sales. Refrigeration, Cooking, Dishwashers and Laundry appliances. TraQline 2018.



HELPING STUDENTS THRIVE

Access to clean clothes is one barrier to school attendance and, ultimately, a student's education. To address this complex issue and help reduce excessive absenteeism, Whirlpool brand began installing washers and dryers in select U.S. schools in 2016.

Based on the initial success, Whirlpool brand is now expanding the Care Counts™ laundry program into additional school districts to bring the power of care to even more students.



The 2016 Care Counts™ laundry program tracked laundry usage, learning that each participant received nearly **50 loads of clean clothes** during the school year.

86% of participants improved attendance

To date, we've installed washers and dryers in 68 schools across the nation. **Attendance improved for 86% of participants** designated as high-risk students,** and **chronic absenteeism dropped by 43%**.



With 90% of students utilizing the program being more actively engaged in their studies, **over 1,200 schools have requested the Care Counts™ laundry program.**

**Students missing 15 or more days during the school year or an average of 1.5 absences per month.

KEEP UP FROM ANYWHERE

with Whirlpool® smart appliances

We're inspired by the day-in, day-out sacrifices every family makes to keep up with each other's needs. That's why we've introduced appliance technology that anticipates what comes next and adapts when things change—just like a busy family.

At Whirlpool brand, our approach to innovation goes beyond a WiFi connection with features that eliminate steps, improve performance and fit family life at every turn.

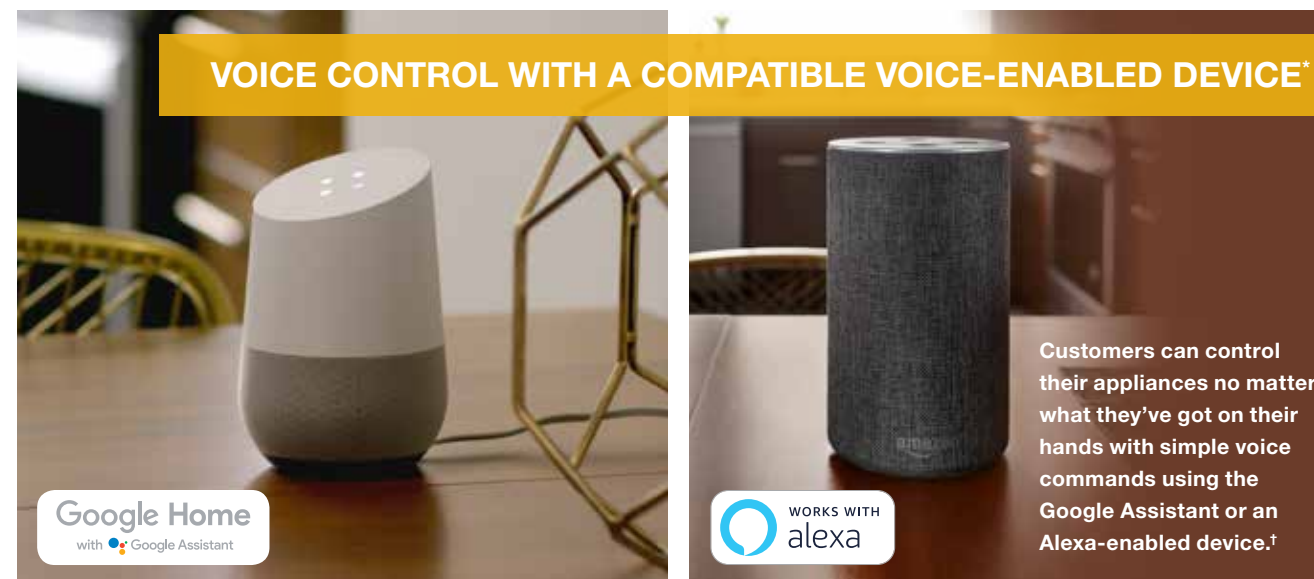
+ Touchscreen remembers your favorite late-night snack

+ Scan-to-Cook technology* lets you make lasagna the way they like it**



REMOTE CONNECTIVITY

Preheat the oven, download the right cycle for a load of dishes or start the dryer right from a mobile device with remote connectivity.†



VOICE CONTROL WITH A COMPATIBLE VOICE-ENABLED DEVICE*

Google Home
with Google Assistant

WORKS WITH
alexa

Customers can control their appliances no matter what they've got on their hands with simple voice commands using the Google Assistant or an Alexa-enabled device.†



YUMMLY® GUIDED COOKING*†

Make meal prep easier with extra assistance from the Yummly® app which includes prompts that send cooking instructions straight to Whirlpool® smart cooking appliances at the right times.††

*U.S. only. **Not all frozen foods included. Appliance must be set to remote enable. WiFi & App Required. Features subject to change. Details and privacy info at whirlpool.com/connect.

Screen images simulated. *U.S. only. †Appliance must be set to remote enable. WiFi & App Required. Features subject to change. Details and privacy info at whirlpool.com/connect. ††Select recipes only. Compatible smart appliance required. Appliance must be set to remote enable. Features subject to change. Details and privacy info at whirlpool.com/connect and yummly.com.

AN EVOLUTION IN KITCHEN STYLE

We're bringing more than just innovative technology to our purposeful appliances. Subtle differences—like the look and feel of hardware—can make a big impact. That's why we've created distinct and approachable styles to choose from with expanded color, finish, handle and knob options.

+ Fingerprint-Resistant Sunset Bronze reflects natural light at different times of day, creating warmth and a subtle metallic glow

WHIRLPOOL CONTEMPORARY HANDLE & BARREL KNOBS

Contemporary handles and barrel knobs achieve clean lines and complement modern tableware and drawer pulls

Models with these features are available in the following colors

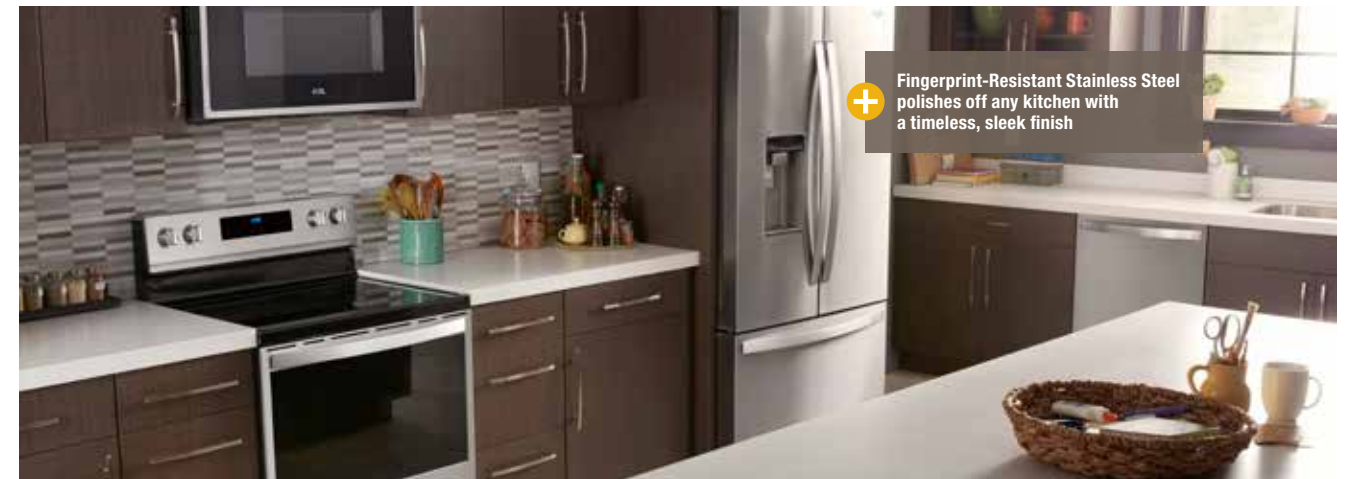
Fingerprint-Resistant Stainless Steel, Fingerprint-Resistant Sunset Bronze



Whirlpool Contemporary Handle



Barrel Knob



+ Fingerprint-Resistant Stainless Steel polishes off any kitchen with a timeless, sleek finish

WHIRLPOOL HANDLE & BLADED KNOBS

Curved handles and approachable bladed knobs maintain design continuity and add sophisticated visual interest

Models with these features are available in the following colors

White, Black, Biscuit, Monochromatic Stainless Steel, Fingerprint-Resistant Stainless Steel, Fingerprint-Resistant Black Stainless Steel, Fingerprint-Resistant Metallic Steel



Whirlpool Handle



Bladed Knob



+ Fingerprint-Resistant Black Stainless Steel elevates the kitchen with a rich, matte look to seamlessly fit in or boldly stand out



MAKING THINGS EASIER

That's caring— and why we designed our laundry appliances with features that give clothes the right kind of care in fewer steps.

13	FRONT LOAD LAUNDRY & SPECIFICATIONS
23	TOP LOAD LAUNDRY & SPECIFICATIONS
37	SPECIALTY LAUNDRY & SPECIFICATIONS
51	DIMENSIONS
53	ACCESSORIES
54	GLOSSARY



MODEL(S) SHOWN WFW8620HC, WE/GD8620HC



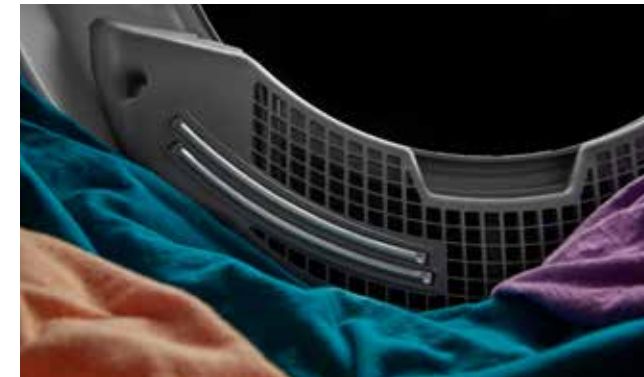
SKIP ADDING DETERGENT & FABRIC SOFTENER TO EVERY LOAD

Simply add detergent and fabric softener once to the Load & Go™ XL Plus dispenser and skip refills for 40 loads.* You'll even get notifications when it's time to refill.**



FINISH LAUNDRY WHEN YOU'RE READY

Keep clothes fresh after the wash cycle has ended with the 12-Hour FanFresh® option. A built-in fan activates after the wash cycle is over, tumbling clothes until you can transfer them to the dryer for up to 12 hours.



HELP PREVENT OVERDRYING

Advanced Moisture Sensing uses three sensors to track moisture and temperature, adapting drying times to end the cycle at just the right time.



CREATE CUSTOMIZED CYCLES IN A FEW TOUCHES

Intuitive Controls guide you to the right cycle combinations or let you customize your own to get the right type of fabric care.

AVAILABLE COLORS



White
(W)



Chrome Shadow
(C)



Black Shadow
(BK)

NOTE: Not all features available on all models.

*Based on an 8-lb load. **Appliance must be set to remote enable. WiFi & App Required. Features subject to change. Details and privacy info at whirlpool.com/connect.



WFW560CH

4.3 cu. ft. Washer

- Intuitive Controls
- Sanitize cycle with Oxi
- Quick Wash cycle
- Cold Wash cycle
- Closet-depth fit*



W



WFW5620H

4.5 cu. ft. Washer

- Intuitive Controls
- Sanitize cycle
- Quick Wash cycle
- Cold Wash cycle
- Closet-depth fit*
- + Load & Go™ dispenser
- + Steam Clean option



W



WFW6620H

4.5 cu. ft. Washer

- Intuitive Controls
- Sanitize cycle
- Quick Wash cycle
- Cold Wash cycle
- Closet-depth fit*
- Steam Clean option
- + Load & Go™ XL dispenser



W C



WFW862CH

4.3 cu. ft. Washer

- Intuitive Controls
- Sanitize cycle
- Quick Wash cycle
- Cold Wash cycle
- Closet-depth fit*
- Steam Clean option
- Load & Go™ XL dispenser
- + Wash & Dry option
- + 12-Hour FanFresh® option

C



WFW8620H

5.0 cu. ft. Washer

- Intuitive Controls
- Sanitize cycle
- Quick Wash cycle
- Cold Wash cycle
- Steam Clean option
- Load & Go™ XL dispenser
- Wash & Dry option
- 12-Hour FanFresh® option

W C



WFW9620H

5.0 cu. ft. Washer

- Intuitive Controls
- Sanitize cycle
- Quick Wash cycle
- Cold Wash cycle
- Steam Clean option
- + Load & Go™ XL Plus dispenser
- + Remote control with the Whirlpool® app
- + Touchscreen

W C BK

+ Indicates a step-up feature.
*Designed to fit a 33" installation depth.

+ Indicates a step-up feature.
*Designed to fit a 33" installation depth.

Gold type indicates a step-up feature

MODEL	WFW560CH	WFW5620H	WFW6620H
Recommended Dryer	WE/GD560LH	WE/GD5620H	WE/GD6620H
Capacity (cu. ft.)	4.3	4.5	4.5
ENERGY STAR® certified	•	•	•
Intuitive Controls	•	•	•
DESIGN FEATURES			
Closet-depth fit (33" installed depth)	•	•	•
Smooth Wave stainless steel wash basket	•	•	•
WASH SYSTEM			
Dispenser	Single Load Dispenser	Load & Go™ and Single Load Dispenser	Load & Go™ XL and Single Load Dispenser
CYCLES			
Bulky Items	•	•	•
Clean Washer with affresh® Washer Cleaner	•	•	•
Cold Wash	•	•	•
Colors	•	•	•
Delicates	•	•	•
Drain & Spin	•	•	•
Heavy Duty	•	•	•
Normal	•	•	•
Quick Wash	•	•	•
Regular	•	•	•
Sanitize	with Oxi	•	•
Towels	•	•	•
Wrinkle Control	•	•	•
OPTIONS			
Control Lock	•	•	•
Extra Rinse	•	•	•
Presoak	•	•	•
Steam Clean		•	•
ACCESSORIES (PART NO.)			
Pedestal – 10" high	XHP1000XW	XHP1000XW	XHP1000XW
Pedestal – 12" high	WFP24GW	WFP24GW	WFP24GW
Pedestal – 15½" high	WFP2715HW	WFP2715HW	WFP2715HW/C
COLORS			
Available colors	W	W	W / C
DIMENSIONS			
Max height (A)	38½"	38½"	38½"
Width (B)	27"	27"	27"
Depth (C)	31⅝"	31⅝"	31⅝"
Depth with door open (D)	54⅞"	54⅞"	54⅞"

Dimensions are shown for planning purposes only. For complete information, see Installation Instructions packed with product.

Gold type indicates a step-up feature

MODEL	WFW862CH	WFW8620H	WFW9620H
Recommended Dryer	WE/GD8620H	WE/GD8620H	WE/GD9620H
Capacity (cu. ft.)	4.3	5.0	5.0
Intuitive Controls	•	•	•
SMART APPLIANCE FEATURES			
Download & Go™ option			•
Enhanced troubleshooting			•
Match Washer cycle with Dryer cycle			•
Remote control with the Whirlpool® app			•
Voice control with a compatible voice-enabled device*			•
DESIGN FEATURES			
Closet-depth fit (33" installed depth)	•		
Smooth Wave stainless steel wash basket	•	•	•
Touchscreen			•
WASH SYSTEM			
Dispenser	Load & Go™ XL and Single Load Dispenser	Load & Go™ XL and Single Load Dispenser	Load & Go™ XL Plus and Single Load Dispenser
CYCLES			
Bulky Items	•	•	•
Clean Washer with affresh® Washer Cleaner	•	•	•
Cold Wash	•	•	•
Colors	•	•	•
Delicates	•	•	•
Heavy Duty	•	•	•
Normal	•	•	•
Quick Wash	•	•	•
Regular	•	•	•
Sanitize	•	•	•
Towels	•	•	•
Whites	•	•	•
OPTIONS			
12-Hour FanFresh®	•	•	•
Control Lock	•	•	•
Extra Rinse	•	•	•
Presoak	•	•	•
Steam Clean	•	•	•
Wash & Dry	•	•	•
ACCESSORIES (PART NO.)			
Pedestal – 10" high		XHP1000XW	XHP1000XW
Pedestal – 12" high		WFP24GW	WFP24GW
Pedestal – 15½" high	WFP2715HC	WFP2715HW/C	WFP2715HW/C/BK
COLORS			
Available colors	C	W / C	W / C / BK
DIMENSIONS			
Max height (A)	38½"	38½"	38½"
Width (B)	27"	27"	27"
Depth (C)	31⅝"	33¼"	33¼"
Depth with door open (D)	54⅞"	56½"	56½"

Dimensions are shown for planning purposes only. For complete information, see Installation Instructions packed with product. *U.S. only.



WHD560CH

7.4 cu. ft. Dryer

- Flexible installation
- Hybrid heat pump drying technology
- Eco option
- Intuitive Controls
- Wrinkle Shield™ option
- Advanced Moisture Sensing



W



WHD862CH

7.4 cu. ft. Dryer

- Flexible installation
- Hybrid heat pump drying technology
- Intuitive Controls
- Wrinkle Shield™ option
- Advanced Moisture Sensing
- + Eco option
- + Speed option
- + Stainless steel dryer drum



C



WE/GD560LH

7.4 cu. ft. Dryer

- Intuitive Controls
- Wrinkle Shield™ option
- Advanced Moisture Sensing
- EcoBoost™ option
- Long vent design
- + Sanitize cycle



W



WE/GD8620H

7.4 cu. ft. Dryer

- Intuitive Controls
- Advanced Moisture Sensing
- EcoBoost™ option
- + Wrinkle Shield™ Plus option with Steam
- + Steam Refresh cycle
- + Static Reduce option
- + Sanitize cycle
- + Stainless steel dryer drum
- + Dryer rack



W

C



WE/GD5620H

7.4 cu. ft. Dryer

- Intuitive Controls
- Wrinkle Shield™ option
- Sanitize cycle
- Advanced Moisture Sensing
- EcoBoost™ option



W



WE/GD9620H

7.4 cu. ft. Dryer

- Intuitive Controls
- Advanced Moisture Sensing
- EcoBoost™ option
- Wrinkle Shield™ Plus option with Steam
- Steam Refresh cycle
- Static Reduce option
- Sanitize cycle
- Stainless steel dryer drum
- Dryer rack
- + Remote control with the Whirlpool® app
- + Touchscreen



W

C

BK



WE/GD6620H

7.4 cu. ft. Dryer

- Intuitive Controls
- Sanitize cycle
- Advanced Moisture Sensing
- EcoBoost™ option
- + Wrinkle Shield™ Plus option with Steam
- + Steam Refresh cycle
- + Static Reduce option



W

C



+ Indicates a step-up feature.

*Interior image for reference only. Actual product may vary.

+ Indicates a step-up feature.

*Interior image for reference only. Actual product may vary.

Gold type indicates a step-up feature

MODEL	WHD560CH	WE/GD560LH	WE/GD5620H	WE/GD6620H	WHD862CH
Recommended Washer	WFW560CH	WFW560CH	WFW5620H	WFW6620H	WFW8620H
Capacity (cu. ft.)	7.4	7.4	7.4	7.4	7.4
ENERGY STAR® certified	•	•	•	•	•
Intuitive Controls	•	•	•	•	•
Quad baffles	•	•	•	•	•
DESIGN FEATURES					
Closet-depth fit (33" installed depth)	•	•	•	•	•
Flexible installation (ventless technology)	•				•
Long vent design		•			
Stainless steel dryer drum					•
DRYING SYSTEM					
Advanced Moisture Sensing	•	•	•	•	•
Hybrid heat pump drying technology	•				•
CYCLES					
Bulky Items	•	•	•	•	•
Colors	•	•	•	•	•
Delicates	•	•	•	•	•
Heavy Duty	•	•	•	•	•
Normal	•	•	•	•	•
Quick Dry	•	•	•	•	•
Regular	•	•	•	•	•
Sanitize		•	•	•	•
Steam Refresh				•	
Timed Dry	•	•	•	•	•
Towels	•	•	•	•	•
Whites	•	•	•	•	•
Wrinkle Control	•	•	•	•	•
OPTIONS					
Control Lock	•	•	•	•	•
Eco	•				•
EcoBoost™		•	•	•	
Speed	•				•
Static Reduce				•	
Wrinkle Shield™	•	•	•	•	•
Wrinkle Shield™ Plus with Steam				•	
ACCESSORIES (PART NO.)					
Pedestal – 10" high	XHP1000XW	XHP1000XW	XHP1000XW	XHP1000XW	XHP1000XW
Pedestal – 12" high	WFP24GW	WFP24GW	WFP24GW	WFP24GW	WFP24GW
Pedestal – 15½" high	WFP2715HW	WFP2715HW	WFP2715HW	WFP2715HW/C	WFP2715HC
Stack kit	W10869845	W10869845	W10869845	W10869845	W10869845
COLORS					
Available colors	W	W	W	W / C	C
DIMENSIONS					
Max height (A)	38¾"	38¾"	38¾"	38¾"	38¾"
Width (B)	27"	27"	27"	27"	27"
Depth (C)	31"	31"	31"	31"	31"
Depth with door open (D)	54½"	54½"	54½"	54½"	54½"

Dimensions are shown for planning purposes only. For complete information, see Installation Instructions packed with product.

Gold type indicates a step-up feature

MODEL	WE/GD8620H	WE/GD9620H
Recommended Washer	WFW8620H	WFW9620H
Capacity (cu. ft.)	7.4	7.4
ENERGY STAR® certified	•	•
Intuitive Controls	•	•
Quad baffles	•	•
SMART APPLIANCE FEATURES		
Enhanced troubleshooting		•
Match Washer cycle with Dryer cycle		•
Remote control with the Whirlpool® app		•
Voice control with a compatible voice-enabled device*		•
DESIGN FEATURES		
Closet-depth fit (33" installed depth)	•	•
Stainless steel dryer drum	•	•
Touchscreen		•
DRYING SYSTEM		
Advanced Moisture Sensing	•	•
CYCLES		
Bulky Items	•	•
Colors	•	•
Delicates	•	•
Heavy Duty	•	•
Normal	•	•
Quick Dry	•	•
Regular	•	•
Sanitize	•	•
Steam Refresh	•	•
Timed Dry	•	•
Towels	•	•
Whites	•	•
Wrinkle Control	•	•
OPTIONS		
Control Lock	•	•
EcoBoost™	•	•
Static Reduce	•	•
Wrinkle Shield™ Plus with Steam	•	•
ACCESSORIES (PART NO.)		
Dryer rack (included)	W10886894	W10886894
Pedestal – 10" high	XHP1000XW	XHP1000XW
Pedestal – 12" high	WFP24GW	WFP24GW
Pedestal – 15½" high	WFP2715HW/C	WFP2715HW/C/BK
Stack kit	W10869845	W10869845
COLORS		
Available colors	W / C	W / C / BK
DIMENSIONS		
Max height (A)	38¾"	38¾"
Width (B)	27"	27"
Depth (C)	31"	31"
Depth with door open (D)	54½"	54½"

Dimensions are shown for planning purposes only. For complete information, see Installation Instructions packed with product. *U.S. only.



MODEL(S) SHOWN **WTW7500GC, WE/GD7500GC**



PREWASH CLOTHES IN THE WASHER

Easily prewash clothes and other items right in the washer with a built-in water faucet that gives you easy access to an instant stream of water to remove loose soils.



CUSTOMIZED CYCLES FOR ANY MESS

Intuitive Controls guide you to the right cycle combinations or help you create up to 26 cycles of your own to get the right type of fabric care for whatever you're washing.



HELP PREVENT OVERDRYING

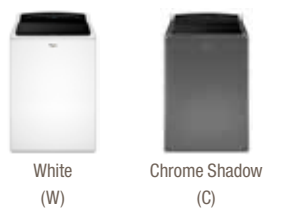
Advanced Moisture Sensing and the AccuDry™ sensor drying system use sensors to track moisture and temperature levels, adapting drying times to end the cycle at just the right time.



KEEP CLOTHES READY TO WEAR

Help prevent wrinkles from setting into clean clothes with the Wrinkle Shield™ option that tumbles loads after the cycle ends, or release wrinkles and reduce odors from dry clothes with the Steam Refresh cycle.

AVAILABLE COLORS



NOTE: Not all features available on all models.



WTW4616F

3.5 cu. ft. Washer



- Water level selection
- Dual action agitator
- White porcelain basket



WTW4850H

3.9 cu. ft. Washer



- Water level selection
- + Soaking cycles (Whites and Colors)
- + Smooth Spiral stainless steel wash basket
- + Impeller
- + Quick Wash cycle



WTW4855H

3.8 cu. ft. Washer



- Water level selection
- Soaking cycles (Whites and Colors)
- Smooth Spiral stainless steel wash basket
- Quick Wash cycle
- Two-way wash action agitator



WTW4950H

3.9 cu. ft. Washer



- Water level selection
- Soaking cycles (Whites and Colors)
- Smooth Spiral stainless steel wash basket
- Quick Wash cycle
- + Soil level selection
- + Impeller

+ Indicates a step-up feature.



WTW4955H

3.8 cu. ft. Washer



- Water level selection
- Soaking cycles (Whites and Colors)
- Smooth Spiral stainless steel wash basket
- Quick Wash cycle
- Soil level selection
- Two-way wash action agitator



WTW5000D

4.3 cu. ft. Washer



- Quick Wash cycle
- Smooth Spiral stainless steel wash basket
- + Impeller
- + Adaptive Wash technology
- + Presoak option
- + Deep Water Wash cycle



WTW7000D

4.8 cu. ft. Washer



- Quick Wash cycle
- Smooth Spiral stainless steel wash basket
- Impeller
- Adaptive Wash technology
- Presoak option
- Deep Water Wash cycle
- + Intuitive Controls
- + ColorLast™ cycle
- + Precision dispense



+ Indicates a step-up feature.

Gold type indicates a step-up feature

MODEL	WTW4616F	WTW4850H	WTW4855H	WTW4950H	WTW4955H
Recommended Dryer	WE/GD4616F	WE/GD4850H	WE/GD4850H	WE/GD4950H	WE/GD4950H
Capacity (cu. ft.)	3.5	3.9	3.8	3.9	3.8
High-efficiency washer	•	•	•	•	•
LED status lights	•	•	•	•	•
DESIGN FEATURES					
EasyView™ glass lid					
Wash basket	White porcelain	Smooth Spiral stainless steel	Smooth Spiral stainless steel	Smooth Spiral stainless steel	Smooth Spiral stainless steel
WASH SYSTEM					
Automatic load size sensing technology	•	•	•	•	•
Bleach dispenser	•	•	•	•	•
Agitator	Dual action		Two-way wash action		Two-way wash action
Fabric softener modifier	Yes/No				
Impeller		•		•	
Max spin speed (RPM)	700	770	770	770	770
Total number of soil levels				4	4
Total number of temperatures	5	5	5	5	5
Total number of water levels	2	2	2	2	2
CYCLES					
Bulky Items/Sheets		•	•	•	•
Casual	•				
Casual Heavy & Casual Light	•				
Clean Washer with affresh® Washer Cleaner	•	•	•	•	•
Colors & Colors with Soak		•	•	•	•
Delicates	•	•	•	•	•
Delicate Hand Wash & Delicate Light	•				
Drain & Spin	•	•	•	•	•
Heavy Duty		•	•	•	•
Normal	•	•	•	•	•
Normal Light & Normal Super Heavy	•				
Quick Wash		•	•	•	•
Rinse & Spin	•	•	•	•	•
Whites & Whites with Soak		•	•	•	•
OPTIONS					
Extra Rinse	•	•	•	•	•
COLORS					
Available colors	W	W	W	W	W
DIMENSIONS					
Max height (A)	42"	44"	44"	44"	44"
Width (B)	27½"	27½"	27½"	27½"	27½"
Depth (C)	27"	27"	27"	27"	27"
Height with lid open (D)	51¼"	52"	52"	52"	52"

Dimensions are shown for planning purposes only. For complete information, see Installation Instructions packed with product.

Gold type indicates a step-up feature

MODEL	WTW5000D	WTW7000D	WTW7500G	WTW8000D	WTW8500D
Recommended Dryer	WE/GD4985E, WE/GD5000D	WE/GD7000D	WE/GD7500G	WE/GD8000D	WE/GD8500D
Capacity (cu. ft.)	4.3	4.8	4.8	5.3	5.3
End of cycle signal		On/Off	On/Off	On/Off	On/Off
ENERGY STAR® certified		•	•	•	•
Estimated time remaining LED display		•	•	•	•
High-efficiency washer	•	•	•	•	•
Intuitive Controls		•	•	•	•
DESIGN FEATURES					
Built-in water faucet			•		
EasyView™ frameless glass lid with slow-close technology			•	•	•
Smooth Spiral stainless steel wash basket	•	•	•	•	•
WASH SYSTEM					
Active Spray technology					•
Adaptive Wash technology	•	•	•	•	•
Automatic load size sensing technology	•	•	•	•	•
Direct drive motor		•	•	•	•
Impeller	•	•	•	•	•
Max spin speed (RPM up to)	660	850	850	850	850
Precision dispense – automatic detergent, bleach & fabric softener dispensers		•	•	•	•
CYCLES					
Bedding/Bulky/Sheets	•	•	•	•	•
Casuals	•	•		•	•
Cold Wash	•	•		•	•
Colors			•		
ColorLast™		•	•	•	•
Darks			•		
Deep Water Wash	•	•		•	•
Drain & Spin	•		•		
Delicates	•	•	•	•	•
Heavy Duty	•		•		
Mixed		•		•	•
Normal	•	•	•	•	•
Quick Wash	•	•	•	•	•
Rinse & Spin	•	•	•	•	•
Towels			•		
Whites		•	•	•	•
OPTIONS					
Deep Clean		•		•	
Deep Water Wash			•		
Extra Rinse	•	•	•	•	•
Oxi Dispense					•
Presoak	•	•	•	•	•
Steam Clean					•
COLORS					
Available colors	W	W	W / C	W	W / C
DIMENSIONS					
Max height (A)	42¼"	42"	42"	42¼"	42¼"
Width (B)	27½"	27½"	27½"	27½"	27½"
Depth (C)	28"	28"	28"	28"	28"
Height with lid open (D)	51¼"	55"	55"	57"	57"

Dimensions are shown for planning purposes only. For complete information, see Installation Instructions packed with product.



WE/GD4616F

7.0 cu. ft. Dryer



- AutoDry™ drying system
- Wrinkle Shield™ option
- Timed Dry cycle



WE/GD4850H

7.0 cu. ft. Dryer



- AutoDry™ drying system
- Wrinkle Shield™ option
- Timed Dry cycle
- + Hamper door



WE/GD4950H

7.0 cu. ft. Dryer



- AutoDry™ drying system
- Wrinkle Shield™ option
- Hamper door
- Timed Dry cycle



WE/GD4985E

5.9 cu. ft. Dryer



- AutoDry™ drying system
- Wrinkle Shield™ option
- Timed Dry cycle
- + Long vent design

+ Indicates a step-up feature.



WE/GD5000D

7.0 cu. ft. Dryer



- Wrinkle Shield™ option
- Timed Dry cycle
- + AccuDry™ sensor drying system
- + Hamper door
- + Delicates cycle



WE/GD49STB

7.0 cu. ft. Dryer



- Wrinkle Shield™ option
- Timed Dry cycle
- AccuDry™ sensor drying system
- Hamper door
- + Steam Refresh cycle



WE/GD7000D

7.0 cu. ft. Dryer



- Wrinkle Shield™ option
- AccuDry™ sensor drying system
- + Intuitive Controls
- + Estimated time remaining LED display
- + Sanitize cycle
- + Adjustable end-of-cycle signal



WE/GD7500G

7.4 cu. ft. Dryer



- Wrinkle Shield™ option
- AccuDry™ sensor drying system
- Intuitive Controls
- Estimated time remaining LED display
- Sanitize cycle
- Adjustable end-of-cycle signal
- + Hamper door

+ Indicates a step-up feature.



WE/GD8000D

8.8 cu. ft. Dryer



- Wrinkle Shield™ option
- Sanitize cycle
- Intuitive Controls
- + Advanced Moisture Sensing
- + Quad baffles
- + EcoBoost™ option



WE/GD8500D

8.8 cu. ft. Dryer



- Sanitize cycle
- Intuitive Controls
- Advanced Moisture Sensing
- Quad baffles
- EcoBoost™ option
- + Steam Refresh cycle
- + Wrinkle Shield™ Plus option with Steam
- + Static Reduce option



+ Indicates a step-up feature.
*Electric Only.

Lined area for notes, consisting of multiple horizontal lines.

Gold type indicates a step-up feature

MODEL	WE/GD4616F	WE/GD4850H	WE/GD4950H	WE/GD4985E	WE/GD5000D	WE/GD49STB
Recommended Washer	WTW4616F	WTW4850H, WTW4855H	WTW4950H, WTW4955H	WTW4950H, WTW4955H, WTW5000D	WTW5000D	WTW4950H, WTW4955H, WTW5000D
Capacity (cu. ft.)	7.0	7.0	7.0	5.9	7.0	7.0
End of cycle signal	On/Off	On/Off	On/Off	On/Off	On/Off	On/Off
High-efficiency dryer	•	•	•	•	•	•
DESIGN FEATURES						
Drum light		•	•	•	•	•
Drum material	Powder coat	Powder coat	Powder coat	Powder coat	Powder coat	Powder coat
Hamper door		•	•		•	•
Long vent				•		
Reversible side-swing door	•			•		
DRYING SYSTEM						
AccuDry™ sensor drying system					•	•
AutoDry™ drying system	•	•	•	•		
Total number of temperatures	3	3	3	4	5	3
CYCLES						
Air Dry / Fluff Air	•	•	•	•	•	•
Automatic Dry	•					
Cool Down		•	•	•	•	•
Damp Dry	•	•		•	•	•
Delicates					•	
Energy Preferred	•			•	•	•
Heavy Duty	•	•	•			
Jeans					•	
Less Dry		•	•	•	•	•
More Dry		•	•	•		
Normal		•	•			
Steam Refresh						•
Timed Dry	•	•	•	•	•	•
Very Dry			•	•	•	•
OPTIONS						
Wrinkle Shield™ (minutes up to)	40	40	40	40	90	90
COLORS						
Available color	W	W	W	W	W	W
DIMENSIONS						
Max height (A)	43¾"	43"	43"	43"	43¾"	43¾"
Width (B)	29"	29"	29"	29"	29"	29"
Depth (C)	28¼"	28¼"	28¼"	26"	28¼"	27¾"
Depth with door open (D)	40¾"	42"	42"	49¼"	41¾"	41½"

Gold type indicates a step-up feature

MODEL	WE/GD7000D	WE/GD7500G	WE/GD8000D	WE/GD8500D
Recommended Washer	WTW7000D	WTW7500G	WTW8000D	WTW8500D
Capacity (cu. ft.)	7.0	7.4	8.8	8.8
Check lint indicator	•	•	•	•
End of cycle signal	Adjustable	Adjustable	Adjustable	Adjustable
ENERGY STAR® certified*			•	•
Estimated time remaining LED display	•	•	•	•
High-efficiency dryer	•	•	•	•
Intuitive Controls	•	•	•	•
DESIGN FEATURES				
Drum light	•	•	•	•
Drum material	Powder coat	Powder coat	Powder coat	Powder coat
Hamper door with window		•		
Quad baffles			•	•
Reversible side-swing door	•		with window	with window
DRYING SYSTEM				
AccuDry™ sensor drying system	•	•		
Advanced Moisture Sensing			•	•
Total number of temperatures	5	5	5	5
Venting options		4-way	4-way	4-way
CYCLES				
Bedding/Bulky/Sheets	•	•	•	•
Casual	•	•	•	•
Cottons		•		
Delicates	•	•	•	•
Gentle			•	•
Heavy Duty	•	•	•	
Mixed	•		•	•
Normal	•	•	•	•
Quick Dry		•		
Sanitize	•	•	•	•
Steam Refresh				•
Timed Dry	•	•	•	•
Towels	•	•	•	•
OPTIONS				
Damp Dry signal	•	•	•	•
EcoBoost™			•	•
Static Reduce				•
Wrinkle Shield™ (minutes up to)	150	150	150	
Wrinkle Shield™ Plus with Steam (minutes up to)				150
COLORS				
Available colors	W	W / C	W	W / C
DIMENSIONS				
Max height (A)	40¼"	39½"	42¾"	42¾"
Width (B)	29"	27"	29"	29"
Depth (C)	28¼"	30"	32¾"	32¼"
Depth with door open (D)	50¾"	43¼"	56¼"	56¼"



MODEL(S) SHOWN **WFC8090GX**



WASH AND DRY IN ONE APPLIANCE

Reinvent your laundry routine with a washer and dryer in one appliance. Innovative features on the Smart All-In-One Washer & Dryer help you do laundry in fewer steps.



HELPS PROTECT FABRICS

The Smooth Wave stainless steel wash basket helps prevent fabrics from snagging by gently guiding clothes throughout the cycle.



THOROUGH CLEANING FOR EVERY LOAD

The dual action agitator with fabric softener dispenser provides effective wash action and dispenses detergent at the right time, while select models with an impeller gently give clothes a deep clean.



DESIGNED TO FIT WHERE YOU NEED THEM

Compact washers and dryers are great for homes where room is at a minimum, especially with our most space-saving compact laundry pair design ever. Combination laundry pairs are another option to help save space while still providing plenty of capacity and high-efficiency performance.

AVAILABLE COLORS



White
(W)

White
(W)

Cashmere
(X)

NOTE: Not all features available on all models.



WET4024H

1.6 cu. ft. Washer / 3.4 cu. ft. Electric Dryer

W

- Smooth Wave stainless steel wash basket
- EasyView™ glass lid with slow-close technology
- Impeller
- Bleach dispenser
- AutoDry™ drying system
- 4 drying cycles



WET4124H

1.6 cu. ft. Washer / 3.4 cu. ft. Electric Dryer

W

- Smooth Wave stainless steel wash basket
- EasyView™ glass lid with slow-close technology
- Impeller
- Bleach dispenser
- AutoDry™ drying system
- 4 drying cycles
- + Wrinkle Shield™ option
- + Connects to 120V



WE/GT4027H

3.5 cu. ft. Washer / 5.9 cu. ft. Dryer

W

- White porcelain wash basket
- Dual action agitator with fabric softener dispenser
- Bleach dispenser
- AutoDry™ drying system
- 4 drying cycles



WE/GTLV27H

3.5 cu. ft. Washer / 5.9 cu. ft. Dryer

W

- White porcelain wash basket
- Dual action agitator with fabric softener dispenser
- Bleach dispenser
- AutoDry™ drying system
- 4 drying cycles
- + Wrinkle Shield™ option
- + Long vent design

+ Indicates a step-up feature.

Gold type indicates a step-up feature

MODEL	24-Inch WET4024H	24-Inch WET4124H	27-Inch WE/GT4027H	27-Inch WE/GTLV27H
Combination washer/dryer	•	•	•	•
Circuit amps	30	20	30	30
Maximum vent length	36'	36'	35'	125'
Venting direction	Left, right, rear	Left, right, rear	Rear	Rear
Voltage	240	120	240/120	240/120
WASHER FEATURES				
Washer capacity (cu. ft.)	1.6	1.6	3.5	3.5
Wash basket	Smooth Wave stainless steel	Smooth Wave stainless steel	White porcelain	White porcelain
WASH SYSTEM				
Bleach dispenser	•	•	•	•
Dual action agitator w/fabric softener dispenser			•	•
Impeller	•	•		
Max spin speed (RPM up to)	850	850	690	690
Motor drive type	Belt	Belt	Belt	Belt
WASHER CYCLES				
Bulky			•	•
Casual			•	•
Colors			•	•
Delicates	•	•	•	•
Drain & Spin			•	•
Heavy Duty	•	•	•	•
Normal	•	•	•	•
Quick Wash			•	•
Rinse	•	•		
Spin	•	•		
DRYER FEATURES				
Dryer capacity (cu. ft.)	3.4	3.4	5.9	5.9
Drum material	Powder coat	Powder coat	Powder coat	Powder coat
DRYING SYSTEM				
AutoDry™ drying system	•	•	•	•
Long vent				•
DRYER CYCLES				
Air	•	•	•	•
Delicates	•	•	•	•
Normal	•	•	•	•
Timed Dry	•	•	•	•
DRYER OPTIONS				
Wrinkle Shield™		•		•
COLORS				
Available color	W	W	W	W
DIMENSIONS				
Max height (A)	74 1/4"	74 1/4"	75 1/2"	75 1/2"
Width (B)	23 7/8"	23 7/8"	27 1/4"	27"
Depth (C)	26 5/8"	26 5/8"	32 7/8"	32 7/8"
Depth with door open (D)	36 7/8"	36 7/8"	47 19/32"	47 1/2"

Dimensions are shown for planning purposes only. For complete information, see Installation Instructions packed with product.



WTW2000H
1.6 cu. ft. Compact Top Load Washer



- Flexible installation
- Portable design
- Stainless steel wash basket
- Impeller
- EasyView™ glass lid

MODEL		Compact Top Load Washer WTW2000H
Recommended Dryer	LDR3822P	
Capacity (cu. ft.)	1.6	
DESIGN FEATURES		
Easy View™ glass lid	•	
Flexible installation	•	
Impeller	•	
Portable design	•	
Wash basket	Stainless steel	
WASH SYSTEM		
Additive dispensers	Detergent, bleach, fabric softener	
Max spin speed (RPM up to)	850	
Motor drive type	Belt	
CYCLES		
Clean Washer	•	
Delicates	•	
Heavy Duty	•	
Normal	•	
Rinse	•	
Spin	•	
OPTIONS		
Control Lock	•	
Lid lock	•	
COLORS		
Available color	W	
DIMENSIONS		
Max height (A)	37"	
Width (B)	21"	
Depth (C)	23"	
Height with lid open (D)	46"	



LDR3822P

3.4 cu. ft. Compact Dryer



- Flexible installation
- AccuDry™ sensor drying technology
- End of cycle signal
- Side-swing door

MODEL		Compact Dryer LDR3822P
Recommended Washer		WTW2000H
Capacity (cu. ft.)		3.4
End of cycle signal		•
DESIGN FEATURES		
Drum material		Powder coat
Flexible installation		•
Side-swing door		•
DRYING SYSTEM		
AccuDry™ sensor drying technology		•
CYCLES		
Air Dry		•
Permanent Press		•
Timed Dry		•
ACCESSORIES (PART NO.)		
Optional casters (sold separately)		279127
COLORS		
Available color		W
DIMENSIONS		
Max height (A)		32½"
Width (B)		23⅝"
Depth (C)		20¾"
Depth with door open (D)		37⅞"



WFW3090G

1.9 cu. ft. Compact Washer

- 24" width space-saving design
- Detergent Dosing Aid
- Save Time option
- Colors option
- TumbleFresh™ option



WFW5090G

2.3 cu. ft. Compact Washer

- 24" width space-saving design
- Detergent Dosing Aid
- Save Time option
- Colors option
- TumbleFresh™ option
- + Chrome door



+ Indicates a step-up feature.

Gold type indicates a step-up feature

MODEL	Compact Washer WFW3090G	Compact Washer WFW5090G
Recommended Dryer	WHD3090G	WHD5090G
Capacity (cu. ft.)	1.9	2.3
ENERGY STAR® certified	•	•
Lighted cycle indicators	•	•
Voltage	120	120
DESIGN FEATURES		
Wash basket	Stainless steel	Stainless steel
WASH SYSTEM		
Additive dispensers	Detergent & fabric softener	Detergent & fabric softener
Max spin speed (RPM up to)	1,400	1,400
Motor drive type	Direct drive	Direct drive
CYCLES		
Delicates	•	•
Handwash	•	•
Heavy Duty	•	•
Normal	•	•
Quick Wash	•	•
Rinse & Spin	•	•
Spin	•	•
Synthetics	•	•
Wool	•	•
OPTIONS		
Cold Water PreWash for Stains	•	•
Colors	•	•
Control Lock	•	•
Delay Wash (hours up to)	24	24
Detergent Dosing Aid	•	•
Heavy Soil	•	•
PreWash	•	•
Save Time	•	•
TumbleFresh™	•	•
COLORS		
Available color	W	W
DIMENSIONS		
Max height (A)	33 1/4"	33 1/4"
Width (B)	24"	24"
Depth (C)	24"	25 1/4"
Depth with door open (D)	41 1/4"	42 15/16"

Dimensions are shown for planning purposes only. For complete information, see Installation Instructions packed with product.



WHD3090G

4.3 cu. ft. Compact Electric Dryer

W

- 24" width space-saving design
- End of cycle signal
- Ventless condensation drying technology
- Wrinkle Shield™ option
- Refresh cycle



WHD5090G

4.3 cu. ft. Compact Electric Dryer

W

- 24" width space-saving design
- End of cycle signal
- Ventless condensation drying technology
- Wrinkle Shield™ option
- Refresh cycle
- + Air Care Lifters
- + Sound Pack
- + Chrome door



+ Indicates a step-up feature.

Gold type indicates a step-up feature

MODEL	Compact Dryer WHD3090G	Compact Dryer WHD5090G
Recommended Washer	WFW3090G	WFW5090G
Capacity (cu. ft.)	4.3	4.3
End of cycle signal	•	•
ENERGY STAR® certified	•	•
Voltage	240/208	240/208
DESIGN FEATURES		
Drum material	Stainless steel	Stainless steel
Sound Pack		•
DRYING SYSTEM		
AccuDry™ sensor drying system	•	•
Air Care Lifters		•
Moisture sensor control	•	•
Ventless condensation drying technology	•	•
CYCLES		
Air Dry	•	•
Bulky/Bedding	•	•
Delicates	•	•
Heavy Duty	•	•
Mixed	•	•
Normal	•	•
Refresh	•	•
Synthetics	•	•
Timed Dry	•	•
Wool	•	•
OPTIONS		
Control Lock	•	•
Delay Start	•	•
Gentle Dry	•	•
Save Time	•	•
Steam	•	•
Wrinkle Shield™	•	•
X-Dry	•	•
ACCESSORIES (PART NO.)		
Bracket stack kit	W11050563	W11050563
Slide out stack kit	W10882520	W10882520
COLORS		
Available color	W	W
DIMENSIONS		
Max height (A)	34½"	34½"
Width (B)	24"	24"
Depth (C)	25¼"	25¼"
Depth with door open (D)	43⅜"	43⅜"

Dimensions are shown for planning purposes only. For complete information, see Installation Instructions packed with product.



WFC8090G

2.8 cu. ft. Smart All-In-One Washer & Dryer

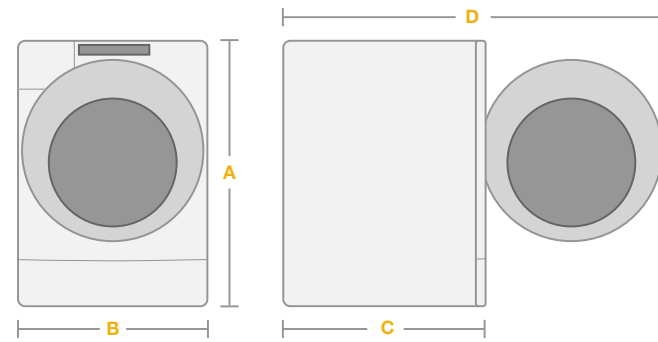


- Load & Go™ Plus dispenser
- Flexible installation
- Remote control with the Whirlpool® app
- Intuitive Controls
- Touchscreen
- Wrinkle Shield™ option
- TumbleFresh™ option

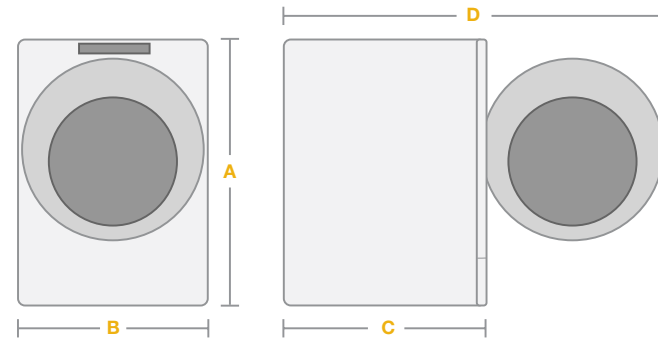
Gold type indicates a step-up feature

MODEL	WFC8090G
Smart All-In-One Washer & Dryer	•
Capacity (cu. ft.)	2.8
Voltage	240
SMART APPLIANCE FEATURES	
Control Lock mode	•
Enhanced troubleshooting	•
Remote control with the Whirlpool® app	•
Voice control with a compatible voice-enabled device*	•
DESIGN FEATURES	
Drum material	Stainless steel
Intuitive Controls	•
Touchscreen	•
WASH SYSTEM	
Dispenser	Load & Go™ Plus
Max spin speed (RPM up to)	1400
WASH CYCLES	
Bulky	•
Clean Washer with affresh® Washer Cleaner	•
Cold Wash	•
Colors	•
Delicates	•
Heavy Duty	•
Normal / Regular	•
Quick Wash	•
Rinse & Spin / Spin	•
Sanitize	•
Towels	•
Whites	•
DRY CYCLES	
Automatic Dry	•
Timed Dry	•
OPTIONS	
Extra Rinse	•
Presoak	•
TumbleFresh™	•
Wrinkle Shield™	•
ACCESSORIES (PART NO.)	
Pedestal (sold separately)	WFP2411GX
COLORS	
Available color	X
DIMENSIONS	
Max height (A)	33 3/4"
Width (B)	24"
Depth (C)	28"
Depth with door open (D)	48 15/16"

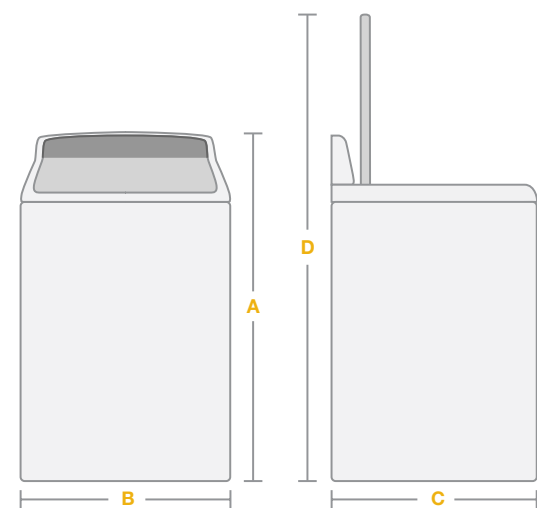
Dimensions are shown for planning purposes only. For complete information, see Installation Instructions packed with product. *U.S. only.



FRONT LOAD WASHER MODEL	MAX HEIGHT (A)	WIDTH (B)	DEPTH (C)	DEPTH WITH DOOR OPEN (D)
WFW560CH	38 ⁵ / ₈ "	27"	31 ¹ / ₈ "	54 ⁷ / ₈ "
WFW5620H	38 ⁵ / ₈ "	27"	31 ¹ / ₈ "	54 ⁷ / ₈ "
WFW6620H	38 ⁵ / ₈ "	27"	31 ¹ / ₈ "	54 ⁷ / ₈ "
WFW862CH	38 ⁵ / ₈ "	27"	31 ¹ / ₈ "	54 ⁷ / ₈ "
WFW8620H	38 ⁵ / ₈ "	27"	33 ¹ / ₄ "	56 ¹ / ₂ "
WFW9620H	38 ⁵ / ₈ "	27"	33 ¹ / ₄ "	56 ¹ / ₂ "

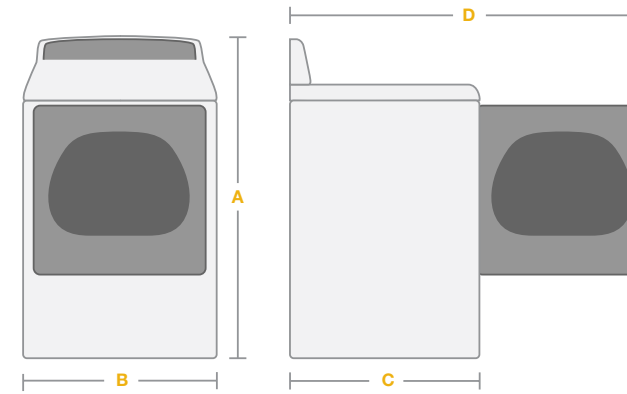


FRONT LOAD DRYER MODEL	MAX HEIGHT (A)	WIDTH (B)	DEPTH (C)	DEPTH WITH DOOR OPEN (D)
WHD560CH	38 ¹ / ₄ "	27"	31"	54 ¹ / ₂ "
WE/GD560LH	38 ¹ / ₄ "	27"	31"	54 ¹ / ₂ "
WE/GD5620H	38 ¹ / ₄ "	27"	31"	54 ¹ / ₂ "
WE/GD6620H	38 ¹ / ₄ "	27"	31"	54 ¹ / ₂ "
WHD862CH	38 ¹ / ₄ "	27"	31"	54 ¹ / ₂ "
WE/GD8620H	38 ¹ / ₄ "	27"	31"	54 ¹ / ₂ "
WE/GD9620H	38 ¹ / ₄ "	27"	31"	54 ¹ / ₂ "

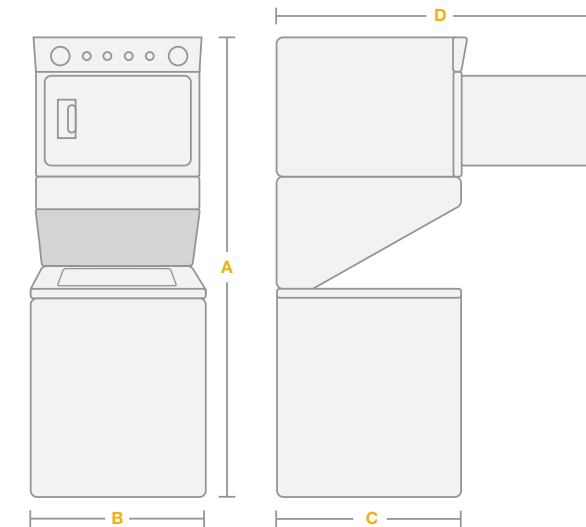


TOP LOAD WASHER MODEL	MAX HEIGHT (A)	WIDTH (B)	DEPTH (C)	HEIGHT WITH LID OPEN (D)
WTW4616F	42"	27 ¹ / ₂ "	27"	51 ¹ / ₄ "
WTW4850H	44"	27 ¹ / ₂ "	27"	52"
WTW4855H	44"	27 ¹ / ₂ "	27"	52"
WTW4950H	44"	27 ¹ / ₂ "	27"	52"
WTW4955H	44"	27 ¹ / ₂ "	27"	52"
WTW5000D	42 ¹ / ₄ "	27 ¹ / ₂ "	28"	51 ¹ / ₄ "
WTW7000D	42"	27 ¹ / ₂ "	28"	55"
WTW7500G	42"	27 ¹ / ₂ "	28"	55"
WTW8000D	42 ¹ / ₄ "	27 ¹ / ₂ "	28"	57"
WTW8500D	42 ¹ / ₄ "	27 ¹ / ₂ "	28"	57"

Dimensions are shown for planning purposes only. For complete information, see Installation Instructions packed with product.



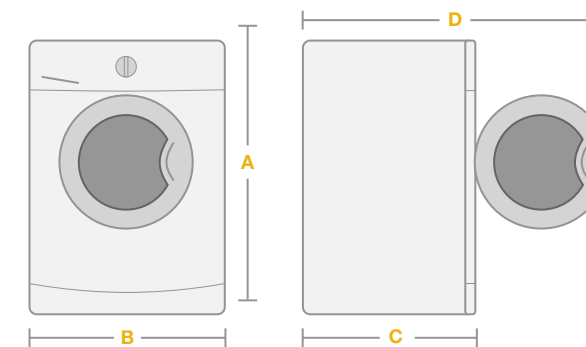
TOP LOAD DRYER MODEL	MAX HEIGHT (A)	WIDTH (B)	DEPTH (C)	DEPTH WITH DOOR OPEN (D)
WE/GD4616F	43 ³ / ₈ "	29"	28 ¹ / ₂ "	40 ³ / ₄ "
WE/GD4850H	43"	29"	28 ¹ / ₂ "	42"
WE/GD4950H	43"	29"	28 ¹ / ₂ "	42"
WE/GD4985E	43"	29"	26"	49 ¹ / ₄ "
WE/GD5000D	43 ³ / ₈ "	29"	28 ¹ / ₂ "	41 ¹ / ₄ "
WE/GD49STB	43 ³ / ₈ "	29"	27 ³ / ₄ "	41 ¹ / ₂ "
WE/GD7000D	40 ¹ / ₄ "	29"	28 ¹ / ₂ "	50 ³ / ₄ "
WE/GD7500G	39 ¹ / ₈ "	27"	30"	43 ³ / ₄ "
WE/GD8000D	42 ² / ₈ "	29"	32 ² / ₈ "	56 ¹ / ₄ "
WE/GD8500D	42 ² / ₈ "	29"	32 ¹ / ₄ "	56 ¹ / ₄ "



WASHER/DRYER MODEL	MAX HEIGHT (A)	WIDTH (B)	DEPTH (C)	DEPTH WITH DOOR OPEN (D)
WET4024H	74 ¹ / ₄ "	23 ³ / ₈ "	26 ³ / ₈ "	36 ³ / ₈ "
WET4124H	74 ¹ / ₄ "	23 ³ / ₈ "	26 ³ / ₈ "	36 ³ / ₈ "
WE/GT4027H	75 ¹ / ₂ "	27 ¹ / ₄ "	32 ¹ / ₈ "	47 ¹ / ₈ "
WE/GTLV27H	75 ¹ / ₂ "	27"	32 ¹ / ₈ "	47 ¹ / ₂ "

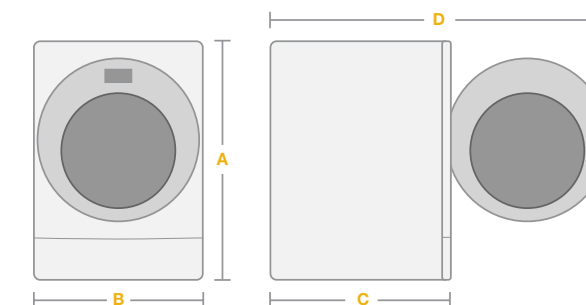
COMPACT TOP LOAD WASHER MODEL	MAX HEIGHT (A)	WIDTH (B)	DEPTH (C)	HEIGHT WITH LID OPEN (D)
WTW2000H	37"	21"	23"	46"

COMPACT DRYER MODEL	MAX HEIGHT (A)	WIDTH (B)	DEPTH (C)	DEPTH WITH DOOR OPEN (D)
LDR3822P	32 ¹ / ₂ "	23 ¹ / ₄ "	20 ³ / ₄ "	37 ³ / ₈ "



COMPACT WASHER MODEL	MAX HEIGHT (A)	WIDTH (B)	DEPTH (C)	DEPTH WITH DOOR OPEN (D)
WFW3090G	33 ¹ / ₄ "	24"	24"	41 ¹ / ₄ "
WFW5090G	33 ¹ / ₄ "	24"	25 ¹ / ₈ "	42 ¹ / ₈ "

COMPACT DRYER MODEL	MAX HEIGHT (A)	WIDTH (B)	DEPTH (C)	DEPTH WITH DOOR OPEN (D)
WHD3090G	34 ¹ / ₂ "	24"	25 ¹ / ₄ "	43 ¹ / ₈ "
WHD5090G	34 ¹ / ₂ "	24"	25 ¹ / ₄ "	43 ¹ / ₈ "



ALL-IN-ONE MODEL	MAX HEIGHT (A)	WIDTH (B)	DEPTH (C)	DEPTH WITH DOOR OPEN (D)
WFC8090G	33 ³ / ₄ "	24"	28"	48 ³ / ₈ "

Dimensions are shown for planning purposes only. For complete information, see Installation Instructions packed with product.



WASHER ACCESSORIES			
1	affresh® Washer Cleaner	Removes odor-causing residue and is designed to penetrate deep into the machine. Contains 3 pucks.	W10135699
2	affresh® Machine Cleaning Wipes	Wipes visibly lift and lock in residues, dirt and dust from your machine's surfaces. Contains 24 wipes.	W10355053
DRYER ACCESSORIES			
3	Dryer Lint Brush	Extend dryer life, lower utility bills and reduce drying time by regularly and thoroughly removing lint with this cleaning brush. For lint screen on top. Size 40" (L) x 2" (W) x 2" (D)	8212614
4	Dryer Rack (top load models)	Convenient for flat items such as sweaters and hats, or for bulky items like footwear and stuffed animals. A quick and easy insertion of this lightweight rack means tumble-free drying. WE/GD4616F, WE/GD4850H, WE/GD4950H, WE/GD4985E, WE/GD5000D, WE/GD49STB, WE/GD7000D	3406839
5	Dryer Rack (top load model)	WE/GD7500G	8212450A
6	Dryer Rack (top load models)	WE/GD8000D, WE/GD8500D	W10864105
7	Dryer Rack (front load models)	WE/GD560LH, WE/GD5620H, WE/GD6620H, WE/GD8620H, WE/GD9620H	W10886894
8	LP Gas Conversion Kit (front lint screen)	WGD7500G, WGD8000D, WGD8500D, WGD560LH, WGD5620H, WGD6620H, WGD8620H, WGD9620H	W10606694A
9	LP Gas Conversion Kit (top lint screen)	WGD4616F, WGD4850H, WGD4950H, WGD4985E, WGD5000D, WGD49STB, WGD7000D	49572A
PAIR ACCESSORIES			
10	Front Load Stack Kit	Install the dryer over its matching washer with this kit. WE/GD560LH, WE/GD5620H, WE/GD6620H, WE/GD8620H, WE/GD9620H	W10869845



LAUNDRY PEDESTALS		
11	10" height for 27" wide front load laundry pairs	XHP1000XW
12	12" height for compact laundry pairs	WFP24GW
13	15½" height with storage drawer for 27" wide front load laundry pairs	XHPC155XW XHPC155YC
14	15½" height with storage drawer for 27" wide front load laundry pairs	WFP2715HW WFP2715HC WFP2715HBK
15	11½" height for Smart All-in-One Washer & Dryer	WFP2411GX

A

ACCUDRY™ SENSOR DRYING SYSTEM/TECHNOLOGY

Two built-in sensors measure moisture and temperature levels to help prevent overdrying and automatically stop the cycle when the load is dry.

ACTIVE SPRAY TECHNOLOGY

Virtually eliminate the need to pretreat with Active Spray technology. It saturates clothes with a mixture of detergent and water to cover fabrics completely and evenly for better cleaning performance.

ADA COMPLIANT

Appliances with this designation meet standards set by the Americans with Disabilities Act when installed in compliance with current ADA standards.

ADAPTIVE WASH TECHNOLOGY

Senses each load type and then adapts water levels and wash actions, based on the type of load being washed, for optimal cleaning.

ADVANCED MOISTURE SENSING

Help prevent overdrying. Three sensors track moisture and temperature, adapting drying times to end the cycle at just the right time.

AIR CARE LIFTERS

Multiple streams of warm air blow straight into the drum to give your clothes an effective and delicate dry.

AUTODRY™ DRYING SYSTEM

Help prevent overdrying with the AutoDry™ drying system that senses when clothes have reached the right moisture content and stops the cycle.

AUTOMATIC WATER LEVELS

Automatic water levels regulate the amount of water based on the size of the load.

B

BUILT-IN WATER FAUCET

Easily prewash clothes and other items right in the washer with a conveniently located interior faucet that gives you easy access to an instant water stream to remove loose soils.

BULKY/SHEETS CYCLE

The Bulky/Sheets cycle takes care of bedding as well as those bulky winter jackets. The washer fills with enough water to wet down the load before the wash cycle begins, then uses a higher water level than other cycles.

C

CLEAN WASHER WITH AFFRESH® CYCLE

Run the affresh® cycle every 30 washes with an affresh® Washer Cleaner tablet or liquid chlorine bleach to thoroughly clean the inside of your washer.

CLOSET-DEPTH FIT

Get a space-saving design with closet-depth fit* that allows for more flexible installation in your laundry space.

COLD WASH CYCLE

Give your most vibrant colors the protection they need with the Cold Wash cycle that adjusts wash actions and time, combined with gentle temperatures, to provide optimal fabric care.

COLORLAST™ CYCLE

Keep colors vibrant longer** using a precise combination of gentle wash action, temperatures and time.

COLORS CYCLE

Care for colored fabrics with a cycle that uses cold water to provide optimal fabric care.

D

DEEP CLEAN OPTION

The Deep Clean option adds increased wash action and extra rinsing to help break down heavy soils.

*Designed to fit a 33" installation depth. **Compared to our pre-2009 agitator washer.

DEEP WATER WASH CYCLE

Get more water to help break down loose soils. This option fills your washer to the maximum water level so heavily soiled clothes get an optimal clean.

DELAY WASH OPTION

Sets the washer to begin cleaning later so you can unload or transfer clothes to the dryer when it is more convenient.

DELICATES CYCLE

Clean your delicate items with an intermittent wash action and slow spin speed, to provide everything you'd expect for gentle fabric care.

DETERGENT DOSING AID

Stop overdosing your detergent and help rid your clothes of residue. The Detergent Dosing Aid option helps you add the right amount of detergent to provide any load the right clean without the residue.

DIRECT DRIVE MOTOR

The direct drive motor is what helps our transmission system handle larger-capacity loads. It uses fewer moving parts so there's less wear and tear over time.

DOWNLOAD & GO™ OPTION

Get the right clean for your clothes by downloading specialty cycles for items like activewear, swimwear, sleeping bags and more with the Download & Go™ option.*

DUAL ACTION AGITATOR WITH FABRIC SOFTENER DISPENSER

Get dual action cleaning and convenient fabric softener dispensing at just the right time when you fill this cap with softener before the cycle begins.

E

EASYVIEW™ GLASS LID WITH SLOW-CLOSE TECHNOLOGY

Enjoy a clean, streamlined look with the see-through lid with slow-close technology that lets you easily check on your load while it's washing.

ECOBOOST™ OPTION

Use less energy** while getting great drying performance with the EcoBoost™ option. This option saves energy by using less heat and an extended cycle time.

ENERGY STAR® CERTIFIED

ENERGY STAR® certified models exceed government standards to help conserve natural resources and save money on your utility bills.

ENHANCED TROUBLESHOOTING

Get immediate support for quick solutions by using your smartphone or tablet to access troubleshooting videos.†

EXTRA RINSE OPTION

Ensure dirty loads get the care they need with an extra rinse to wash away any lingering soils or detergent.

F

12-HOUR FANFRESH® OPTION

Keep clothes fresh for up to 12 hours after the wash cycle has ended. A built-in fan activates after the wash cycle is over, tumbling clothes for up to 12 hours so you can finish laundry when you're ready.

FLEXIBLE INSTALLATION

Designed to fit a 33" installation depth and with ventless technology, closet-depth hybrid heat pump dryers can be installed virtually anywhere.

H

HAMPER DOOR

Easily transfer loads from the washer to the dryer and from the dryer to the laundry basket without worrying about clean clothes falling on the floor with this wide-opening door.

HANDWASH CYCLE

The Handwash cycle uses lower spin speeds combined with reduced tumbling to soak the load and clean clothes gently.

HEAVY SOIL OPTION

Optimize stain removal for your family's messes. The Heavy Soil option provides efficient cleaning action that helps break down stains and rinses away soils.

HYBRID HEAT PUMP DRYING TECHNOLOGY

Dry each load your way with our most efficient full-size dryer technology that recirculates hot air to help conserve energy. Choose the Eco option when you want to save energy with gentle drying at lower temperatures or the Speed option when you need clothes to be ready quickly with help from the heater.

I

IMPELLER

Give clothes a thorough and gentle clean with the impeller that drives clothes from the outer rim to the center, where the deepest clean happens.

INTUITIVE CONTROLS

Let the washer and dryer guide you to the right cycle combinations or customize your own to get the right type of fabric care for whatever you're cleaning.

L

LAUNDRY PEDESTALS

Raise your laundry pair for easier loading and unloading. Some pedestals also provide space-saving storage for detergent, fabric softener and other supplies.

LOAD & GO™ DISPENSER

Skip adding detergent to every wash with the Load & Go™ dispenser, the Load & Go™ XL dispenser or the Load & Go™ XL Plus dispenser. Choose from models that hold enough for 20 to 40 loads, with select models adding a second compartment for fabric softener.† The dispenser measures and dispenses the right amount for every load so clothes get the care they need in fewer steps.

LONG VENT DESIGN

Enjoy great drying performance even when your space requires a long vent system. Ideal for apartment or condominium living, the 125 ft. vent gives you installation flexibility when you need it.

M

MATCH WASHER CYCLE WITH DRYER CYCLE

Get the right kind of dry for your load. The Whirlpool® app will suggest the dry cycle that matches the wash cycle you used.††

O

OXI DISPENSE OPTION

The Oxi Dispense option distributes oxygenated additives at the right time to enhance cleaning results.

P

PRECISION DISPENSE

This feature automatically provides well-balanced cleaning by releasing detergent at the correct time to mix with water, penetrate fabrics and deliver optimal fabric care.

PRESOAK OPTION

The Presoak option lets you skip soaking outside of the washer. Extra time is added in the washer before the wash cycle, which starts automatically when the option is complete.

PREWASH OPTION

Skip presoaking in the sink by hand and let the washer do it for you using the PreWash option. Additional wash time before the cycle starts helps take on heavily soiled loads that contain tough stains.

Q

QUAD BAFFLES

Four baffles tumble clothes in a randomized pattern, allowing items to open up more freely. This helps increase the effectiveness of the dryer for small loads.

QUICK DRY CYCLE

Finish drying a small load quickly.

QUICK WASH CYCLE

Designed to clean small, lightly soiled loads in less time using increased spin speeds to extract more water.

R

REFRESH CYCLE

Refresh your load using the Refresh cycle, so dry, clean clothes are ready to wear without needing to be rewashed.

REMOTE CONTROL WITH THE WHIRLPOOL® APP

Stay in control and connected from anywhere. The Whirlpool® app lets you set, start or pause wash and dry cycles and track progress when you're away.‡

S

SANITIZE CYCLE

Provides excellent care for your clothes while eliminating 99.9% of common household bacteria.††

*WiFi & App Required. Features subject to change. Details and privacy info at whirlpool.com/connect. **Savings may vary by load type.

†Based on an 8-lb load. ††Available on select cycles. WiFi & App Required. Features subject to change. Details and privacy info at whirlpool.com/connect. ‡Appliance must be set to remote enable. WiFi & App Required. Features subject to change. Details and privacy info at whirlpool.com/connect. †††Bacteria tested were *K. pneumoniae*, *P. aeruginosa*, *S. aureus*.

SAVE TIME OPTION

Get your clothes ready to wear sooner thanks to the Save Time option that cleans lightly soiled loads that don't need the full wash time.

SINGLE LOAD DISPENSER

Use the single load dispenser when you want to wash with a different detergent than the one currently in the Load & Go™ dispenser. Additional compartments for bleach and fabric softener make sure any additives get dispensed at just the right time during the cycle.

SMART ALL-IN-ONE WASHER & DRYER

Reinvent your laundry routine with the innovative features of the Smart All-In-One Washer & Dryer that help you do laundry in fewer steps.

SMART APPLIANCE

Care for your family from your smartphone or tablet.*

SMOOTH SPIRAL STAINLESS STEEL WASH BASKET

Help protect fabrics from snagging with this stainless steel wash basket that gently guides clothes during the wash.

SMOOTH WAVE STAINLESS STEEL WASH BASKET

Give clothes the care they need with the sleek pattern of the stainless steel wash basket that gently guides them.

SOAKING CYCLES

Soak and wash in one cycle. Skip a trip to the laundry room with soaking cycles that start washing whites and colors as soon as they're done soaking.

SOIL LEVEL SELECTION

Choose the right amount of agitation for your fabrics with an option that lets you select the soil level of your load on any cycle, so you get less agitation on light loads and more on full or dirty loads.

SOUND PACK

Get additional insulation that helps keep your dryer out of sight and out of mind while your clothes get the right kind of dry.

STAINLESS STEEL WASHER AND DRYER DRUM

The drum's stainless steel construction has a smooth surface that resists odors, rust and chipping and helps prevent fabrics from snagging or tearing.

STATIC REDUCE OPTION

Help decrease static with the Static Reduce option, which combines a spray of mist with tumbling after the load is dry.

STEAM CLEAN OPTION

Get help removing everyday stains with the Steam Clean option, which gets deep into fabrics with increased wash action and heat.

STEAM REFRESH CYCLE

Release wrinkles and reduce odors with the Steam Refresh cycle. It uses water and heat to get clothes ready to wear without rewashing.

T**TIMED DRY**

Take control of your time. For those occasional times that a damp load needs a little extra dry time or when using a drying rack, set the control and you can get your fabrics dried on your schedule.

TOUCHSCREEN

Get instant access to the settings you use most with an intuitive touchscreen that learns, adapts and suggests customized presets based on your family's routines.

TUMBLEFRESH™ OPTION

Keep clean clothes smelling fresh without having to start the dry cycle immediately. The TumbleFresh™ option activates after the wash cycle is finished and rolls clothes periodically for up to 12 hours.

TWO-WAY WASH ACTION AGITATOR

Give your clothes a deep yet gentle clean with the two-way wash action agitator, which turns one way while the basket turns the other, for a cleaning motion that moves fabrics smoothly through the wash.

V**VENTLESS CONDENSATION DRYING TECHNOLOGY**

A ventless heat pump design takes the next step in energy efficiency. It recycles air and captures moisture so you can enjoy a more efficient and perfect drying experience.

VOICE CONTROL WITH A COMPATIBLE VOICE-ENABLED DEVICE

Keep up with laundry no matter what you've got on your hands with simple voice commands using a compatible voice-enabled device.*

W**WASH & DRY OPTION**

Wash and dry tomorrow's outfit in the washer** with the Wash & Dry option. It automatically activates a fan so you can get tomorrow's outfits or sports uniforms ready without having to use the dryer.

WATER LEVEL SELECTION

Choose the water level you need for the cycle you want. No matter which wash cycle you choose, water level selection lets you select Auto Sensing to adjust water based on load size or the Deep Water Wash option to help break down loose soils with more water.

WHITE PORCELAIN BASKET

Keep your washer looking good thanks to the durable finish that resists scratches, chemicals and rust.

WHITES CYCLE

Keep your whites looking their best with a cycle that cleans thoroughly while gently caring for your clothes.

WOOL CYCLE

In the washer, cool water and slow spin speeds clean your washable delicates to provide everything you'd expect from gentle fabric care. In the dryer, keep cozy, dryable wool fabrics fluffy and smooth with a gentle drying process.

WRINKLE SHIELD™ OPTION

Help keep wrinkles from setting into clean, dry fabrics with the Wrinkle Shield™ option. It keeps clothes tumbling for up to 150 minutes after the cycle ends or until you open the door.

WRINKLE SHIELD™ PLUS OPTION WITH STEAM

Keep wrinkles from setting into clean, dry fabrics. The Wrinkle Shield™ Plus option with Steam uses tumbling and steam for up to 150 minutes after the cycle ends or until you open the dryer door for improved wrinkle-fighting performance.



FINDING WHAT YOU NEED

That's caring—and why we created refrigerators that give you the ideal spaces for the items you use most.

- 61 FRENCH DOOR & BOTTOM-FREEZER REFRIGERATORS & SPECIFICATIONS
- 72 SIDE-BY-SIDE REFRIGERATORS & SPECIFICATIONS
- 83 TOP-FREEZER REFRIGERATORS & SPECIFICATIONS
- 95 CHEST & UPRIGHT FREEZERS & SPECIFICATIONS
- 101 UNDERCOUNTER REFRIGERATORS, WINE CENTERS & ICEMAKERS & SPECIFICATIONS
- 111 DIMENSIONS
- 114 ACCESSORIES
- 115 GLOSSARY



PURPOSEFULLY-DESIGNED SPACES

Find and fit it all with storage zones that give you the ideal spaces for the items you use most. Unique features and adjustable bins and shelves offer increased loading flexibility, making it easy to find what you need.



STORE MORE ITEMS

A pantry-inspired layout and features like an infinity slide shelf make room for tall items, such as pitchers and wine bottles, and help increase storage flexibility.



ALWAYS HAVE ICE ON HAND

Dual icemakers with a secondary icemaker in the freezer let you store more ice.



KEEP PRODUCE FRESH

Get the room you need to store fruits and vegetables in their ideal environment with humidity-controlled crispers.

AVAILABLE COLORS



White (W)



Black (B)



Monochromatic Stainless Steel (M)



Fingerprint-Resistant Stainless Steel (Z)



Fingerprint-Resistant Black Stainless Steel (V)



Fingerprint-Resistant Sunset Bronze (N)

MODEL(S) SHOWN **WRFA32SMHZ, WDTA75SAHZ**

NOTE: Not all features available on all models.



WRF560SMH

20 cu. ft. Refrigerator



- Compact 30" width
- Humidity-controlled crispers
- FreshFlow™ produce preserver
- Full-width pantry drawer
- Condiment caddy



WRF560SEY

20 cu. ft. Refrigerator



- Compact 30" width
- Humidity-controlled crispers
- FreshFlow™ produce preserver
- Full-width pantry drawer
- Condiment caddy
- + Exterior water dispenser with EveryDrop® filtration



WRF560SEH

20 cu. ft. Refrigerator



- Compact 30" width
- Humidity-controlled crispers
- FreshFlow™ produce preserver
- Full-width pantry drawer
- Condiment caddy
- Exterior water dispenser with EveryDrop® filtration
- + LED freezer light



WRFA60SMH

20 cu. ft. Refrigerator



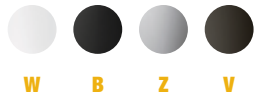
- Compact 30" width
- Humidity-controlled crispers
- FreshFlow™ produce preserver
- Full-width pantry drawer
- Condiment caddy

+ Indicates a step-up feature.



WRF532SMH

22 cu. ft. Refrigerator



- Frameless glass shelves
- Gallon door bins
- Humidity-controlled crispers
- Full-width, temperature-controlled drawer



WRFA32SMH

22 cu. ft. Refrigerator

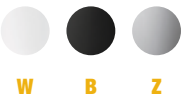


- Frameless glass shelves
- Gallon door bins
- Humidity-controlled crispers
- Full-width, temperature-controlled drawer



WRF535SMH

25 cu. ft. Refrigerator



- Frameless glass shelves
- Gallon door bins
- Humidity-controlled crispers
- Full-width, temperature-controlled drawer



WRF535SWH

25 cu. ft. Refrigerator



- Frameless glass shelves
- Gallon door bins
- Humidity-controlled crispers
- Full-width, temperature-controlled drawer
- + Interior water dispenser with EveryDrop® filtration



+ Indicates a step-up feature.



WRF757SDH

27 cu. ft. Refrigerator



- Spillproof glass shelves
- Two-tier freezer storage
- Tap Touch controls
- Full-width, temperature-controlled drawer
- Interior water dispenser with EveryDrop® filtration



WRF555SDF

25 cu. ft. Refrigerator



- Spillproof glass shelves
- Humidity-controlled double crisper
- Two-tier freezer storage
- + Exterior ice and water dispenser with EveryDrop® filtration
- + Tap Touch controls



WRF555SDH

25 cu. ft. Refrigerator



- Spillproof glass shelves
- Humidity-controlled double crisper
- Two-tier freezer storage
- Exterior ice and water dispenser with EveryDrop® filtration
- Tap Touch controls



WRF767SDH

27 cu. ft. Refrigerator



- Spillproof glass shelves
- Two-tier freezer storage
- Tap Touch controls
- + Platter pocket
- + In-Door-Ice® storage
- + Humidity-controlled triple crisper



WRF767SDH

27 cu. ft. Refrigerator

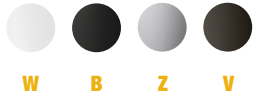


- Spillproof glass shelves
- Two-tier freezer storage
- Tap Touch controls
- Platter pocket
- In-Door-Ice® storage
- Humidity-controlled triple crisper
- + Dual icemakers



WRX735SDH

25 cu. ft. Refrigerator



- Spillproof glass shelves
- Humidity-controlled double crisper
- Tap Touch controls
- + Refrigerated exterior drawer
- + Measured Fill



WRX986SIH

26 cu. ft. Refrigerator



- Spillproof glass shelves
- Refrigerated exterior drawer
- Measured Fill
- + Auto-humidity triple crisper
- + Triple-tier freezer storage
- + Small items bin
- + In-Door-Ice® storage
- + Dual cooling



WRF540CWH

20 cu. ft. Counter Depth Refrigerator



- Frameless glass shelves
- Humidity-controlled crispers
- Fast Cool option
- Full-width, temperature-controlled drawer
- Interior water dispenser with EveryDrop® filtration



WRF550CDH

20 cu. ft. Counter Depth Refrigerator



- Spillproof glass shelves
- Humidity-controlled crispers
- Fast Cool option
- Full-width, temperature-controlled drawer
- + Exterior ice and water dispenser with EveryDrop® filtration



WRF954CIH

24 cu. ft. Counter Depth Refrigerator



- Exterior ice and water dispenser with EveryDrop® filtration
- + Pantry-inspired layout
- + Adjustable gallon door bins
- + FreezeShield option
- + Infinity slide shelf
- + Platter pocket
- + Deli drawer with customizable temperature



WRB322DMB

22 cu. ft. Bottom-Freezer Refrigerator



- Spillproof glass shelves
- FreshFlow™ produce preserver
- Deli drawer
- Humidity-controlled crispers
- Accu-Chill™ temperature management system



WRB322DMH

22 cu. ft. Bottom-Freezer Refrigerator



- Spillproof glass shelves
- FreshFlow™ produce preserver
- Deli drawer
- Humidity-controlled crispers
- Accu-Chill™ temperature management system



Gold type indicates a step-up feature

MODEL	30-Inch WRF560SMH	30-Inch WRF560SEY	30-Inch WRF560SEH	30-Inch WRF560SMH
Capacity (cu. ft.)	20	20	20	20
DESIGN FEATURES				
Freezer drawer	•	•	•	•
PERFORMANCE FEATURES				
Accu-Chill™ temperature management system	•	•	•	•
Adaptive defrost	•	•	•	•
Electronic temperature controls	Interior	Exterior	Exterior	Interior
Fast Cool option	•	•	•	•
FreshFlow™ air filter	•	•	•	•
FreshFlow™ produce preserver	•	•	•	•
LED interior lighting	•	•	•	•
ICE & WATER FEATURES				
Dispenser control lock		•	•	
EveryDrop® ice and water filtration		FILTER1	FILTER2	
EveryDrop® ice filtration	FILTER1			FILTER1
Factory-installed icemaker	•	•	•	•
Filtered water dispenser		Exterior	Exterior	
REFRIGERATOR STORAGE FEATURES				
Condiment caddy	•	•	•	•
Full-width door bins	2 fixed	2 fixed	2 fixed	3 adjustable
Full-width gallon door bins	4 adjustable	4 adjustable	4 adjustable	3 adjustable
Spillproof glass shelves	1 adjustable full-width, 1 fixed full-width, 1 adjustable full-width tuck	1 adjustable full-width, 1 fixed full-width, 1 adjustable full-width tuck	1 adjustable full-width, 1 fixed full-width, 1 adjustable full-width tuck	1 adjustable full-width, 1 fixed full-width, 1 adjustable full-width tuck
Full-width temperature-controlled pantry drawer	•	•	•	•
Humidity-controlled double crisper	Split-width	Split-width	Split-width	•
FREEZER STORAGE FEATURES				
Freezer light	•	•	LED	•
Plastic basket	1 lower	1 lower	1 lower	1 lower
Plastic slide-out basket	1 upper	1 upper	1 upper	1 upper
COLORS				
Available colors	W / B / Z / V	W / B / M	W / B / Z / V	Z / N
DIMENSIONS				
Max height including hinges (A)	68½"	68½"	68½"	68½"
Width (B)	29½"	29½"	30"	29½"
Depth including handles (C)	34½"	34½"	34½"	34½"
Depth with door open (D)	51½"	51½"	51½"	51½"

Dimensions are shown for planning purposes only. For complete information, see Installation Instructions packed with product.

Gold type indicates a step-up feature

MODEL	33-Inch WRF532SMH	33-Inch WRF532SMH	36-Inch WRF535SMH	36-Inch WRF535SWH	36-Inch WRF535SWH
Capacity (cu. ft.)	22	22	25	25	25
DESIGN FEATURES					
Freezer drawer	•	•	•	•	•
PERFORMANCE FEATURES					
Accu-Chill™ temperature management system	•	•	•	•	•
Adaptive defrost	•	•	•	•	•
Electronic temperature controls	Interior	Interior	Interior	Interior	Interior
ENERGY STAR® certified	•	•	•	•	•
FreshFlow™ produce preserver	•	•	•	•	•
LED interior lighting	•	•	•	•	•
ICE & WATER FEATURES					
Factory-installed icemaker	•	•	•	•	•
Interior water dispenser with EveryDrop® filtration				FILTER4	FILTER4
REFRIGERATOR STORAGE FEATURES					
Full-width door bins	4 adjustable	4 adjustable	4 adjustable	4 adjustable	4 adjustable
Full-width gallon door bins	2 fixed	2 fixed	2 fixed	2 fixed	2 fixed
Frameless glass shelves	4 adjustable half-width, 1 fixed full-width	4 adjustable half-width, 1 fixed full-width	4 adjustable half-width, 1 fixed full-width	4 adjustable half-width, 1 fixed full-width	4 adjustable half-width, 1 fixed full-width
Full-width temperature-controlled drawer	•	•	•	•	•
Humidity-controlled double crisper	•	•	•	•	•
FREEZER STORAGE FEATURES					
Freezer light	LED	LED	LED	LED	LED
Plastic basket	1 lower	1 lower	1 lower	1 lower	1 lower
Wire slide-out basket	1 upper	1 upper	1 upper	1 upper	1 upper
COLORS					
Available colors	W / B / Z / V	Z / N	W / B / Z	W / B / Z / V	Z / N
DIMENSIONS					
Max height including hinges (A)	70½"	70½"	70½"	70½"	70½"
Width (B)	32½"	32½"	35½"	35½"	35½"
Depth including handles (C)	34½"	34½"	35½"	35½"	35½"
Depth with door open (D)	47½"	47½"	48½"	48½"	48½"

Dimensions are shown for planning purposes only. For complete information, see Installation Instructions packed with product.

Gold type indicates a step-up feature

MODEL	36-Inch WRF555SDF	36-Inch WRF555SDH	36-Inch WRF757SDH	36-Inch WRF767SDH
Capacity (cu. ft.)	25	25	27	27
DESIGN FEATURES				
Freezer drawer	•	•	•	•
PERFORMANCE FEATURES				
Accu-Chill™ temperature management system	•	•	•	•
Adaptive defrost	•	•	•	•
ENERGY STAR® certified	•	•	•	•
Fast Cool option	•	•	•	•
FreshFlow™ produce preserver	•	•	•	•
LED interior lighting	•	•	•	•
Tap Touch controls	•	•	•	•
ICE & WATER FEATURES				
Crushed ice	•	•	•	•
Dispenser control lock	•	•	•	•
Dual icemakers				•
Exterior ice and water dispenser with EveryDrop® filtration	FILTER4	FILTER4	FILTER2	FILTER2
Factory-installed icemaker	•	•		
In-Door-Ice® storage			•	•
REFRIGERATOR STORAGE FEATURES				
Full-width gallon door bins	3 adjustable	3 adjustable	3 adjustable, 2 fixed	3 adjustable, 2 fixed
Partial-width door bins	3 fixed	3 fixed		
Spillproof glass shelves	3 adjustable half-width, 1 fixed full-width, 1 adjustable mini	3 adjustable half-width, 1 fixed full-width, 1 adjustable mini	4 adjustable half-width	4 adjustable half-width
Deli drawer			•	•
Full-width temperature-controlled drawer	•	•		
Humidity-controlled double crisper	•	•		
Humidity-controlled triple crisper			•	•
Platter pocket			•	•
FREEZER STORAGE FEATURES				
Freezer divider			•	•
Freezer light	LED	LED	LED	LED
Pizza pocket			•	•
Plastic basket	1 lower	1 lower	1 lower	1 lower
Plastic slide-out basket			1 upper	1 upper
Wire slide-out basket	1 upper	1 upper		
COLORS				
Available colors	Z	W / B / V	Z / V	Z / V
DIMENSIONS				
Max height including hinges (A)	70¼"	70¼"	69¾"	69¾"
Width (B)	35½"	35½"	35½"	35½"
Depth including handles (C)	35¼"	35¼"	35¼"	35¼"
Depth with door open (D)	48"	48"	48"	48"

Dimensions are shown for planning purposes only. For complete information, see Installation Instructions packed with product.

Gold type indicates a step-up feature

MODEL	4-Door 36-Inch WRX735SDH	4-Door 36-Inch WRX986SIH
Capacity (cu. ft.)	25	26
DESIGN FEATURES		
Freezer drawer	•	•
PERFORMANCE FEATURES		
Accu-Chill™ temperature management system	•	
Adaptive defrost	•	•
Dual cooling		•
ENERGY STAR® certified	•	
Fast Cool option	•	•
FreshFlow™ air filter		•
FreshFlow™ produce preserver	•	•
LED interior lighting	•	Panoramic
Tap Touch controls	•	•
ICE & WATER FEATURES		
Crushed ice	•	•
Dispenser control lock	•	•
Exterior ice and water dispenser with EveryDrop® filtration	FILTER4	FILTER2
Factory-installed icemaker	•	
Filtered ice and water dispenser	Exterior	Exterior
In-Door-Ice® storage		•
Measured Fill	•	•
REFRIGERATOR STORAGE FEATURES		
Door bins	3 adjustable full-width gallon, 3 fixed partial-width	3 adjustable full-width gallon, 1 fixed full-width gallon
Full-width glass shelf	1 fixed	
Spillproof glass shelves	3 adjustable half-width, 1 adjustable mini	3 adjustable half-width, 1 adjustable half-width tuck, 1 fixed full-width
Crisper	Humidity-controlled double crisper	Auto-humidity triple crisper
Refrigerated exterior drawer	•	•
Small items bin		•
FREEZER STORAGE FEATURES		
Freezer light	LED	LED
Pizza pocket		•
Baskets	1 plastic, 1 wire slide-out	1 plastic, 2 plastic slide-out
COLORS		
Available colors	W / B / Z / V	Z / V
DIMENSIONS		
Max height including hinges (A)	70¼"	70¼"
Width (B)	35½"	35½"
Depth including handles (C)	34¾"	36¾"
Depth with door open (D)	48"	48½"

Dimensions are shown for planning purposes only. For complete information, see Installation Instructions packed with product.

Gold type indicates a step-up feature

MODEL	Counter Depth 36-Inch WRF540CWH	Counter Depth 36-Inch WRF550CDH	Counter Depth 36-Inch WRF954CIH
Capacity (cu. ft.)	20	20	24
DESIGN FEATURES			
Freezer drawer	•	•	•
PERFORMANCE FEATURES			
Accu-Chill™ temperature management system	•	•	
Adaptive defrost	•	•	•
Dual cooling			•
Electronic temperature controls	Interior	Exterior	Interior door
ENERGY STAR® certified	•		•
Fast Cool option	•	•	•
Flip adjusters			•
FreezeShield option			•
FreshFlow™ air filter			•
FreshFlow™ produce preserver	•		
LED interior lighting	•	•	Panoramic
Tap Touch controls			•
ICE & WATER FEATURES			
Dispenser control lock		•	•
Factory-installed icemaker	•	•	
Exterior ice and water dispenser with EveryDrop® filtration		FILTER4	FILTER2
Interior water dispenser with EveryDrop® filtration	FILTER4		
In-Door-Ice® storage			•
Measured Fill			•
REFRIGERATOR STORAGE FEATURES			
Full-width door bins	4 adjustable, 2 fixed gallon	2 adjustable, 2 fixed gallon	3 fixed, 5 adjustable gallon
Mini door bins		2 fixed	
Frameless glass shelves	1 fixed full-width, 4 adjustable half-width		
Spillproof glass shelves		1 fixed full-width, 3 adjustable half-width, 1 adjustable mini	2 adjustable full-width
Infinity slide shelf			1
Deli drawer with customizable temperature			•
Full-width temperature-controlled drawer	•	•	
Humidity-controlled double crisper	•	•	•
Platter pocket			•
FREEZER STORAGE FEATURES			
Freezer light	LED	LED	LED
Pizza pocket			•
Plastic basket	1 lower	1 lower	1 lower
Plastic slide-out baskets		2 upper	1 upper
Wire slide-out basket	1 upper		
COLORS			
Available colors	W / B / Z / V	Z	W / B / M / Z / V
DIMENSIONS			
Max height including hinges (A)	70¼"	70¼"	71¼"
Width (B)	35½"	36"	35¾"
Depth including handles (C)	29¾"	30¼"	31½"
Depth with door open (D)	49"	49"	43¾"

Dimensions are shown for planning purposes only. For complete information, see Installation Instructions packed with product.

Gold type indicates a step-up feature

MODEL	33-Inch WRB322DMB	33-Inch WRB322DMH
Capacity (cu. ft.)	22	22
DESIGN FEATURES		
Freezer drawer	•	•
Reversible side-swing refrigerator door	•	•
PERFORMANCE FEATURES		
Accu-Chill™ temperature management system	•	•
Adaptive defrost	•	•
Electronic temperature controls	Interior	Interior
ENERGY STAR® certified	•	•
FreshFlow™ produce preserver	•	•
Interior lighting	LED	LED
ICE & WATER FEATURES		
Factory-installed icemaker	•	•
REFRIGERATOR STORAGE FEATURES		
Full-width gallon door bin	1 fixed	1 fixed
Half-width door bins	5 adjustable	5 adjustable
Full-width glass shelf	1 fixed	1 fixed
Deli drawer	•	•
Half-width spillproof glass shelves	4 adjustable	4 adjustable
Humidity-controlled double crisper	•	•
FREEZER STORAGE FEATURES		
Freezer light	LED	LED
Wire basket	1 lower	1 lower
Wire slide-out basket	1 upper	1 upper
COLORS		
Available colors	W / B / M	V
DIMENSIONS		
Max height including hinges (A)	70"	70"
Width (B)	32½"	32¼"
Depth including handle (C)	33¾"	33¾"
Depth with door open (D)	62"	62"

Dimensions are shown for planning purposes only. For complete information, see Installation Instructions packed with product.



MODEL(S) SHOWN **WRS588FIHV**



PURPOSEFUL STORAGE SPACES

Store more of your family's favorites with features like wall-to-wall frameless shelves, adjustable gallon door bins, shelves that give you the vertical room you need and the perfect spots for pizzas, cans and bottles.



MORE SHELF SPACE

With the ice bin moved to the door, In-Door-Ice® storage makes room for extra shelves in the freezer.



EASY ICE AND WATER ACCESS

Enjoy fresh filtered water and ice without ever opening the refrigerator door thanks to an exterior ice and water dispenser with EveryDrop® filtration.



KEEPS FOOD TASTING GREAT

The technology of the Accu-Chill™ temperature management system senses and adapts to cool food quickly, creating the ideal environment for every item.

AVAILABLE COLORS



White
(W)



Black
(B)



Biscuit
(T)



Monochromatic
Stainless Steel
(M)



Fingerprint-
Resistant
Stainless Steel
(Z)



Fingerprint-
Resistant Black
Stainless Steel
(V)



Fingerprint-
Resistant
Sunset Bronze
(N)

NOTE: Not all features available on all models.



WRS312SNH

22 cu. ft. Refrigerator



- Frameless glass shelves
- Adjustable gallon door bins
- LED interior lighting



WRS315SNH

25 cu. ft. Refrigerator



- Frameless glass shelves
- Adjustable gallon door bins
- LED interior lighting



WRSA15SNH

25 cu. ft. Refrigerator



- Frameless glass shelves
- Adjustable gallon door bins
- LED interior lighting



WRS311SDH

21 cu. ft. Refrigerator



- Frameless glass shelves
- Adjustable gallon door bins
- LED interior lighting
- + Exterior ice and water dispenser with EveryDrop® filtration
- + Tap Touch controls

+ Indicates a step-up feature.



WRS315SDH

25 cu. ft. Refrigerator



- Frameless glass shelves
- Adjustable gallon door bins
- LED interior lighting
- Exterior ice and water dispenser with EveryDrop® filtration
- Tap Touch controls



WRS321SDH

21 cu. ft. Refrigerator



- Frameless glass shelves
- Adjustable gallon door bins
- LED interior lighting
- Exterior ice and water dispenser with EveryDrop® filtration
- Tap Touch controls
- + Can caddy
- + Deli drawer



WRS325SDH

25 cu. ft. Refrigerator



- Frameless glass shelves
- Adjustable gallon door bins
- LED interior lighting
- Exterior ice and water dispenser with EveryDrop® filtration
- Tap Touch controls
- Can caddy
- Deli drawer



WRS331SDH

21 cu. ft. Refrigerator



- Frameless glass shelves
- Adjustable gallon door bins
- LED interior lighting
- Exterior ice and water dispenser with EveryDrop® filtration
- Tap Touch controls
- + ENERGY STAR® certified



+ Indicates a step-up feature.

**WRS335SDH**

25 cu. ft. Refrigerator

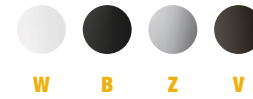


- Frameless glass shelves
- Adjustable gallon door bins
- LED interior lighting

- Exterior ice and water dispenser with EveryDrop® filtration
- Tap Touch controls
- ENERGY STAR® certified

**WRS555SIH**

25 cu. ft. Refrigerator

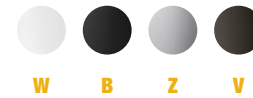


- Frameless glass shelves
- Adjustable gallon door bins
- LED interior lighting

- Exterior ice and water dispenser with EveryDrop® filtration
- Tap Touch controls
- + Infinity slide shelf
- + Pizza pocket
- + In-Door-Ice® storage

**WRS588FIH**

28 cu. ft. Refrigerator



- Frameless glass shelves
- Adjustable gallon door bins
- LED interior lighting

- Exterior ice and water dispenser with EveryDrop® filtration
- Tap Touch controls
- In-Door-Ice® storage
- + Measured Fill
- + FreshFlow™ air filter

**WRSA88FIH**

28 cu. ft. Refrigerator



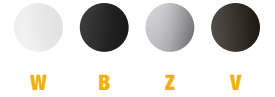
- Frameless glass shelves
- Adjustable gallon door bins
- LED interior lighting

- Exterior ice and water dispenser with EveryDrop® filtration
- Tap Touch controls
- In-Door-Ice® storage
- Measured Fill
- FreshFlow™ air filter

+ Indicates a step-up feature.

**WRS571CIH**

21 cu. ft. Refrigerator



- Frameless glass shelves
- Adjustable gallon door bins
- LED interior lighting

- Exterior ice and water dispenser with EveryDrop® filtration
- Tap Touch controls
- In-Door-Ice® storage
- Measured Fill
- FreshFlow™ air filter

**WRSA71CIH**

21 cu. ft. Refrigerator



- Frameless glass shelves
- Adjustable gallon door bins
- LED interior lighting

- Exterior ice and water dispenser with EveryDrop® filtration
- Tap Touch controls
- In-Door-Ice® storage
- Measured Fill
- FreshFlow™ air filter

Gold type indicates a step-up feature

MODEL	33-Inch WRS312SNH	36-Inch WRS315SNH	36-Inch WRS315SNH	33-Inch WRS311SDH	36-Inch WRS315SDH	33-Inch WRS321SDH	36-Inch WRS325SDH
Capacity (cu. ft.)	22	25	25	21	25	21	25
PERFORMANCE FEATURES							
Accu-Chill™ temperature management system	•	•	•	•	•	•	•
Adaptive defrost	•	•	•	•	•	•	•
Electronic temperature controls	Interior	Interior	Interior	Interior	Interior	Exterior	Exterior
LED interior lighting	•	•	•	•	•	•	•
ICE & WATER FEATURES							
Control lock				•	•	•	•
EveryDrop® ice and water filtration				FILTER1	FILTER1	FILTER1	FILTER1
Factory-installed icemaker				•	•	•	•
Filtered ice and water dispenser				Exterior	Exterior	Exterior	Exterior
LED dispenser night-light				•	•	•	•
Optional icemaker	ECKMF95	ECKMF95	ECKMF95				
Tap Touch controls				•	•	•	•
Water filter indicator light						•	•
REFRIGERATOR STORAGE FEATURES							
Dairy bin	•	•	•	•	•	•	•
Full-width gallon door bins	3 adjustable	3 adjustable	3 adjustable	3 adjustable	3 adjustable	3 adjustable	3 adjustable
Full-width door shelf	1 fixed	1 fixed	1 fixed	1 fixed	1 fixed	1 fixed	1 fixed
Full-width frameless glass shelves	3 adjustable, 1 fixed	3 adjustable, 1 fixed	3 adjustable, 1 fixed	3 adjustable, 1 fixed	3 adjustable, 1 fixed	3 adjustable, 1 fixed	3 adjustable, 1 fixed
Can caddy						•	•
Deli drawer						•	•
Humidity-controlled double crisper	•	•	•	•	•	•	•
FREEZER STORAGE FEATURES							
Door shelves	5 fixed full-width	6 fixed full-width	6 fixed full-width	3 fixed full-width	3 fixed full-width, 1 fixed partial-width	3 fixed full-width, 1 fixed partial-width	3 fixed full-width, 1 fixed partial-width
Basket	1 full-width plastic	1 full-width plastic	1 full-width plastic	1 full-width plastic	1 full-width plastic	1 full-width plastic	1 full-width plastic
Full-width shelves	4 fixed wire	5 fixed wire	5 fixed wire	3 fixed wire	3 fixed wire	3 adjustable glass	3 fixed glass
COLORS							
Available colors	W / B / M	W / B / M	Z / N	W / B / T / M	W / B / T / M	W / B / Z / V	W / B / Z / V
DIMENSIONS							
Max height including hinges (A)	66 ⁵ / ₈ "	69 ⁵ / ₈ "	69 ⁵ / ₈ "	66 ⁵ / ₈ "	69 ⁵ / ₈ "	66 ⁵ / ₈ "	69 ⁵ / ₈ "
Width (B)	32 ³ / ₄ "	35 ⁷ / ₈ "	35 ⁷ / ₈ "	32 ³ / ₄ "	35 ⁷ / ₈ "	32 ³ / ₄ "	35 ⁷ / ₈ "
Depth including handles (C)	33 ³ / ₈ "	33 ³ / ₈ "	33 ³ / ₈ "	33 ³ / ₈ "	33 ³ / ₈ "	33 ³ / ₈ "	33 ³ / ₈ "
Depth with door open (D)	49 ⁹ / ₁₆ "	49 ⁹ / ₁₆ "	49 ⁹ / ₁₆ "	49 ⁹ / ₁₆ "	49 ⁹ / ₁₆ "	49 ⁹ / ₁₆ "	49 ⁹ / ₁₆ "

Dimensions are shown for planning purposes only. For complete information, see Installation Instructions packed with product.

Gold type indicates a step-up feature

MODEL	33-Inch WRS331SDH	36-Inch WRS335SDH	36-Inch WRS555SIH	36-Inch WRS588FIH	36-Inch WRS488FIH	Counter Depth 36-Inch WRS571CIH	Counter Depth 36-Inch WRS471CIH
Capacity (cu. ft.)	21	25	25	28	28	21	21
PERFORMANCE FEATURES							
Accu-Chill™ temperature management system	•	•	•	•	•	•	•
Adaptive defrost	•	•	•	•	•	•	•
Electronic temperature controls	Exterior	Exterior	Exterior	Exterior	Exterior	Exterior	Exterior
ENERGY STAR® certified	•	•					
FreshFlow™ air filter				•	•	•	•
LED interior lighting	•	•	•	•	•	•	•
ICE & WATER FEATURES							
Control lock	•	•	•	•	•	•	•
Door alarm				•	•	•	•
EveryDrop® ice and water filtration	FILTER1	FILTER1	FILTER1	FILTER1	FILTER1	FILTER1	FILTER1
Factory-installed icemaker	•	•					
Filtered ice and water dispenser	Exterior	Exterior	Exterior	Exterior	Exterior	Exterior	Exterior
In-Door-Ice® storage			•	•	•	•	•
LED dispenser night-light	•	•	•	•	•	•	•
Measured Fill				•	•	•	•
Tap Touch controls	•	•	•	•	•	•	•
Water filter indicator light	•	•	•	•	•	•	•
REFRIGERATOR STORAGE FEATURES							
Dairy bin	•	•	•	•	•		
Full-width door bins				2 adjustable	2 adjustable	2 adjustable	2 adjustable
Full-width gallon door bins	3 adjustable	3 adjustable	3 adjustable	3 adjustable	3 adjustable	3 adjustable	3 adjustable
Full-width door shelf	1 fixed	1 fixed	1 fixed				
Full-width frameless glass shelves	3 adjustable, 1 fixed	3 adjustable, 1 fixed	3 adjustable, 1 fixed, 1 infinity slide	3 adjustable, 1 fixed	3 adjustable, 1 fixed	3 adjustable, 1 fixed	3 adjustable, 1 fixed
Can caddy			•				
Deli drawer			•	•	•	•	•
Humidity-controlled double crisper	•	•	•	•	•	•	•
FREEZER STORAGE FEATURES							
Door shelves	3 fixed full-width, 1 fixed partial-width	3 fixed full-width, 1 fixed partial-width	3 fixed full-width				
Door bins				3 adjustable full-width	3 adjustable full-width	3 adjustable full-width	3 adjustable full-width
Basket	1 full-width plastic	1 full-width plastic	1 full-width plastic	1 full-width plastic	1 full-width plastic	1 full-width plastic	1 full-width plastic
Shelves	3 fixed full-width wire	3 fixed full-width wire	3 fixed full-width glass, 2 fixed partial-width glass	3 adjustable full-width glass, 1 fixed full-width glass	3 adjustable full-width glass, 1 fixed full-width glass	3 adjustable full-width glass, 1 fixed full-width glass	3 adjustable full-width glass, 1 fixed full-width glass
Pizza pocket			•				
COLORS							
Available colors	W / B / M	W / B / M	W / B / Z / V	W / B / Z / V	Z / N	W / B / Z / V	Z / N
DIMENSIONS							
Max height including hinges (A)	66 ⁵ / ₈ "	69 ⁵ / ₈ "	69 ⁵ / ₈ "	69 ⁵ / ₈ "	69 ⁵ / ₈ "	68 ⁷ / ₈ "	68 ⁷ / ₈ "
Width (B)	32 ³ / ₄ "	35 ⁷ / ₈ "	35 ⁷ / ₈ "	36 ¹ / ₂ "	36 ¹ / ₂ "	36 ¹ / ₂ "	36 ¹ / ₂ "
Depth including handles (C)	33 ³ / ₈ "	33 ³ / ₈ "	33 ³ / ₈ "	34 ¹ / ₈ "	34 ¹ / ₈ "	29 ³ / ₈ "	29 ³ / ₈ "
Depth with door open (D)	49 ⁹ / ₁₆ "	49 ⁹ / ₁₆ "	49 ⁹ / ₁₆ "	51 ¹ / ₈ "	51 ¹ / ₈ "	45 ⁵ / ₈ "	45 ⁵ / ₈ "

Dimensions are shown for planning purposes only. For complete information, see Installation Instructions packed with product.



GREATER STORAGE FLEXIBILITY

Store more items on each shelf with wall-to-wall frameless glass shelves, which allow you to place food and drinks on the shelf without a frame in the way.



SPACE FOR TALL ITEMS

Make room for taller items like drink bottles by quickly and easily moving the Flexi-Slide™ bin from side-to-side, giving you more convenient storage options.



RIGHT ENVIRONMENT FOR PRODUCE

Keep fruits and vegetables fresh with the ideal moisture and temperature levels in humidity-controlled crispers.



FOOD LOOKS AS IT SHOULD

By casting light inside the refrigerator, LED interior lighting keeps food looking as good as it tastes.

AVAILABLE COLORS



MODEL(S) SHOWN **WRT134TFDM**

NOTE: Not all features available on all models.



WRT111SFD

11 cu. ft. Refrigerator



- Spillproof glass shelves
- Adjustable gallon door bin
- Humidity-controlled crisper
- Optional icemaker



WRT104TFD

14 cu. ft. Refrigerator



- Optional icemaker
- + Freezer temperature controls
- + Dairy bin



WRT106TFD

16 cu. ft. Refrigerator



- Optional icemaker
- Freezer temperature controls
- Dairy bin
- + Full-width gallon refrigerator door shelf



WRT108FZD

18 cu. ft. Refrigerator



- Freezer temperature controls
- Dairy bin
- Full-width gallon refrigerator door shelf
- + Flexi-Slide™ bin
- + Optional EZ Connect icemaker kit

+ Indicates a step-up feature.



WRT134TFD

14 cu. ft. Refrigerator



- Optional icemaker
- Freezer temperature controls
- Dairy bin

+ ENERGY STAR® certified



WRT138FZD

18 cu. ft. Refrigerator



- Freezer temperature controls
- Dairy bin
- ENERGY STAR® certified

- + Flexi-Slide™ bin
- + Optional EZ Connect icemaker kit
- + Full-width gallon refrigerator door shelf



WRT314TFD

14 cu. ft. Refrigerator



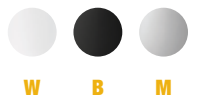
- Optional icemaker
- Freezer temperature controls
- Dairy bin

- + 2 adjustable full-width glass refrigerator shelves



WRT316SFD

16 cu. ft. Refrigerator



- Optional icemaker
- Freezer temperature controls
- Dairy bin
- 2 adjustable full-width glass refrigerator shelves

- + Flexi-Slide™ bin
- + Full-width glass freezer shelf

+ Indicates a step-up feature.



WRT318FZD

18 cu. ft. Refrigerator



- Freezer temperature controls
- Dairy bin
- Flexi-Slide™ bin
- Full-width glass freezer shelf
- + Frameless glass shelves
- + Electronic temperature controls
- + Optional EZ Connect icemaker kit



WRT318FMD

18 cu. ft. Refrigerator

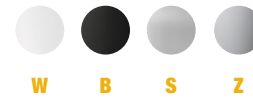


- Freezer temperature controls
- Dairy bin
- Flexi-Slide™ bin
- Full-width glass freezer shelf
- Electronic temperature controls
- + Factory-installed icemaker



WRT348FME

18 cu. ft. Refrigerator



- Freezer temperature controls
- Dairy bin
- Electronic temperature controls
- Factory-installed icemaker
- + Frameless glass shelves
- + ENERGY STAR® certified



WRT311FZD

21 cu. ft. Refrigerator



- Freezer temperature controls
- Dairy bin
- Electronic temperature controls
- Frameless glass shelves
- + Flexi-Slide™ bin
- + LED interior lighting
- + Adjustable gallon refrigerator door bins

+ Indicates a step-up feature.



WRT518SZF

18 cu. ft. Refrigerator



- Freezer temperature controls
- Flexi-Slide™ bin
- Electronic temperature controls
- Frameless glass shelves
- LED interior lighting
- + Full-width glass freezer shelf



WRT519SZD

19 cu. ft. Refrigerator

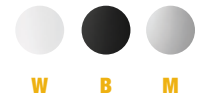


- Freezer temperature controls
- Flexi-Slide™ bin
- Electronic temperature controls
- Frameless glass shelves
- LED interior lighting
- + Dairy bin
- + Adjustable gallon refrigerator door bins



WRT511SZD

21 cu. ft. Refrigerator



- Freezer temperature controls
- Flexi-Slide™ bin
- LED interior lighting
- Dairy bin
- Adjustable gallon refrigerator door bins



WRT549SZD

19 cu. ft. Refrigerator



- Freezer temperature controls
- Flexi-Slide™ bin
- LED interior lighting
- Dairy bin
- Adjustable gallon refrigerator door bins
- + Electronic temperature controls
- + ENERGY STAR® certified



+ Indicates a step-up feature.

Gold type indicates a step-up feature

MODEL	25-Inch WRT111SFD	28-Inch WRT104TFD	28-Inch WRT106TFD	30-Inch WRT108FZD	28-Inch WRT134TFD	30-Inch WRT138FZD	28-Inch WRT314TFD
Capacity (cu. ft.)	11	14	16	18	14	18	14
DESIGN FEATURES							
Door reversal kit available	•	•	•	•	•	•	•
Hidden hinges	•						
PERFORMANCE FEATURES							
ENERGY STAR® certified					•	•	
Freezer temperature controls		•	•	•	•	•	•
Interior lighting	Incandescent	Incandescent	Incandescent	Incandescent	Incandescent	Incandescent	Incandescent
Refrigerator temperature controls	•	•	•	•	•	•	•
ICE & WATER FEATURES							
Optional EZ Connect icemaker kit				ECKMFEZ2		ECKMFEZ2	
Optional icemaker	•	•	•		•		•
REFRIGERATOR STORAGE FEATURES							
Dairy bin		•	•	•	•	•	•
Fixed door shelves		2 full-width, 1 partial-width	1 full-width gallon, 1 full-width, 1 partial-width	1 full-width gallon, 1 full-width, 1 partial-width, 1 partial-width gallon	2 full-width, 1 partial-width	1 full-width gallon, 1 full-width, 1 partial-width, 1 partial-width gallon	2 full-width, 1 partial-width
Full-width door bins	1 adjustable, 1 fixed						
Full-width gallon door bins	1 adjustable						
Full-width glass shelves		1 fixed	1 fixed	1 fixed	1 fixed	1 fixed	2 adjustable, 1 fixed
Full-width spillproof glass shelves	2 adjustable, 1 fixed						
Full-width wire shelves		2 adjustable	2 adjustable	2 adjustable	2 adjustable	2 adjustable	
Flexi-Slide™ bin				•		•	
Crispers	1 humidity-controlled	2	2	2 humidity-controlled	2	2 humidity-controlled	2
FREEZER STORAGE FEATURES							
Door bins	2 fixed full-width						
Fixed door shelves		2 full-width	2 full-width	2 full-width	2 full-width	2 full-width	2 full-width
Fixed shelf	1 half-width wire	1 full-width wire	1 full-width wire	1 full-width wire	1 full-width wire	1 full-width wire	1 full-width wire
COLORS							
Available colors	W / B / M	W / B / T	W / B / T	W / B / T / M	W / B / M	W / B / M	W / B
DIMENSIONS							
Max height including hinges (A)	61½"	62¾"	65½"	65¼"	62¾"	65½"	62¾"
Width (B)	24½"	28"	28"	29¾"	28"	29¾"	28"
Depth including handles (C)	28¾"	32¼"	33½"	33½"	32½"	33½"	32¼"
Depth with door open (D)	48½"	56¾"	56¾"	59¼"	55¾"	59¼"	56¾"

Dimensions are shown for planning purposes only. For complete information, see Installation Instructions packed with product.

Gold type indicates a step-up feature

MODEL	28-Inch WRT316SFD	30-Inch WRT318FZD	30-Inch WRT318FMD	30-Inch WRT348FME	33-Inch WRT311FZD	28-Inch WRT518SZF	30-Inch WRT519SZD
Capacity (cu. ft.)	16	18	18	18	21	18	19
DESIGN FEATURES							
Door reversal kit available	•	•	•	•	•	•	•
Hidden hinges						•	•
PERFORMANCE FEATURES							
ENERGY STAR® certified				•			
Freezer temperature controls	•	•	•	•	•	•	•
Interior lighting	Incandescent	Incandescent	Incandescent	Incandescent	LED	LED	LED
Refrigerator temperature controls	•	Electronic	Electronic	Electronic	Electronic	Electronic	Electronic
ICE & WATER FEATURES							
Factory-installed icemaker			•	•			
Optional EZ Connect icemaker kit		ECKMFEZ2			ECKMFEZ2	ECKMFEZ2	ECKMFEZ2
Optional icemaker	•						
REFRIGERATOR STORAGE FEATURES							
Dairy bin	•	•	•	•	•		•
Fixed door shelves	1 full-width gallon, 1 full-width, 1 partial-width	1 full-width gallon, 1 full-width, 1 partial-width, 1 partial-width gallon	1 full-width, 1 partial-width, 1 partial-width flip-up storage	1 full-width gallon, 1 full-width, 2 partial-width, 1 partial-width gallon	1 full-width, 1 partial-width	1 full-width	1 full-width
Door bins					3 adjustable partial-width gallon	4 adjustable half-width, 1 fixed gallon	4 adjustable partial-width gallon
Full-width glass shelves	2 adjustable, 1 fixed		2 adjustable, 1 fixed				
Full-width frameless glass shelves		2 adjustable, 1 fixed		2 adjustable, 1 fixed	2 adjustable, 1 fixed	2 adjustable, 1 fixed	2 adjustable, 1 fixed
Flexi-Slide™ bin	•	•	•		•	•	•
Crispers	2	2 humidity-controlled	2 humidity-controlled	2 humidity-controlled	2 humidity-controlled	2 humidity-controlled	2 humidity-controlled
FREEZER STORAGE FEATURES							
Fixed door shelves	2 full-width	2 full-width	2 full-width	2 full-width	2 full-width	2 full-width	2 full-width
Fixed shelf	1 full-width glass	1 full-width glass	1 full-width glass	1 partial-width wire	1 full-width wire	1 full-width glass	1 full-width glass
COLORS							
Available colors	W / B / M	W / B / M / Z	W / B / M	W / B / S / Z	W / B / T / M / Z	W / B / M / V / G	W / B / T / D / M / G
DIMENSIONS							
Max height including hinges (A)	66"	65½"	65½"	65½"	66¼"	68½"	65½"
Width (B)	28½"	29¾"	29¾"	29¾"	32¼"	28"	29¾"
Depth including handles (C)	30¾"	33½"	33½"	31½"	32½"	31½"	34½"
Depth with door open (D)	54¾"	59¼"	59¼"	59¼"	62¼"	57"	59¼"

Dimensions are shown for planning purposes only. For complete information, see Installation Instructions packed with product.

Gold type indicates a step-up feature

MODEL	33-Inch WRT511SZD	30-Inch WRT549SZD	33-Inch WRT541SZD	33-Inch WRT541SZH
Capacity (cu. ft.)	21	19	21	21
DESIGN FEATURES				
Door reversal kit available	•	•	•	
Hidden hinges	•	•	•	•
PERFORMANCE FEATURES				
ENERGY STAR® certified		•	•	•
Freezer temperature controls	•	•	•	•
Interior lighting	LED	LED	LED	LED
Refrigerator temperature controls	•	Electronic	•	•
ICE & WATER FEATURES				
Optional EZ Connect icemaker kit	ECKMFEZ2	ECKMFEZ2	ECKMFEZ2	ECKMFEZ2
REFRIGERATOR STORAGE FEATURES				
Dairy bin	•	•	•	•
Fixed door shelves	1 full-width	1 full-width	1 full-width	1 full-width
Door bins	4 adjustable partial-width gallon	4 adjustable partial-width gallon	4 adjustable partial-width gallon	4 adjustable partial-width gallon
Full-width glass shelves	2 adjustable, 1 fixed	2 adjustable, 1 fixed		
Full-width frameless glass shelves			2 adjustable, 1 fixed	2 adjustable, 1 fixed
Flexi-Slide™ bin	•	•	•	•
Crispers	2 humidity-controlled	2 humidity-controlled	2 humidity-controlled	2 humidity-controlled
FREEZER STORAGE FEATURES				
Fixed door shelves	2 full-width	2 full-width	2 full-width	2 full-width
Fixed shelf	1 full-width glass	1 full-width glass	1 full-width glass	1 full-width glass
COLORS				
Available colors	W / B / M	W / B / M	W / B / M / Z / V	V
DIMENSIONS				
Max height including hinges (A)	66¼"	65½"	66¼"	66¼"
Width (B)	32¾"	29¾"	32¾"	32¾"
Depth including handles (C)	34"	34½"	34"	34"
Depth with door open (D)	62¼"	59½"	62¼"	62¼"



WZC3115D

15 cu. ft. Freezer



- Easy Clean Corners
- Key lock
- 2 storage bins



WZC5415D

15 cu. ft. Freezer



- Easy Clean Corners
- Key lock
- 2 storage bins
- + Temperature alarm
- + Power On light



WZC3122D

22 cu. ft. Freezer



- Easy Clean Corners
- Key lock
- + 3 storage bins

Actual model may vary.



WZC5422D

22 cu. ft. Freezer



- Easy Clean Corners
- Key lock
- + Temperature alarm
- + Power On light
- + 4 storage bins

Actual model may vary.

+ Indicates a step-up feature.



WZF34X16D

16 cu. ft. Freezer



- LED interior lighting
- Fast Freeze
- Frost-free defrost
- Reversible door



WZF56R16D

16 cu. ft. Freezer



- LED interior lighting
- Fast Freeze
- Frost-free defrost



WZF34X18D

18 cu. ft. Freezer



- LED interior lighting
- Fast Freeze
- Frost-free defrost
- + Reversible door



WZF79R20D

20 cu. ft. Freezer



- LED interior lighting
- Fast Freeze
- Frost-free defrost
- + Pizza pocket
- + 2 wire bins

+ Indicates a step-up feature.

Gold type indicates a step-up feature

MODEL	48-Inch WZC3115D	48-Inch WZC5415D	66-Inch WZC3122D	66-Inch WZC5422D
Capacity (cu. ft.)	15	15	22	22
DESIGN FEATURES				
Flat textured lid	•	•	•	•
Integrated door handle design	•	•	•	•
PERFORMANCE FEATURES				
15-watt interior light	•	•	•	•
Defrost drain with hose adapter	•	•	•	•
Easy Clean Corners	•	•	•	•
Power On light		•		•
Temperature alarm		•		•
STORAGE FEATURES				
Key lock	•	•	•	•
Solid core lid	•	•	•	•
Storage bins	2	2	3	4
COLORS				
Available color	W	W	W	W
DIMENSIONS				
Max height including hinges (A)	33 $\frac{1}{4}$ "	33 $\frac{1}{4}$ "	33 $\frac{1}{4}$ "	33 $\frac{1}{4}$ "
Width (B)	47 $\frac{1}{2}$ "	47 $\frac{1}{2}$ "	66 $\frac{1}{4}$ "	66 $\frac{1}{4}$ "
Depth including handle (C)	30 $\frac{1}{4}$ "	30 $\frac{1}{4}$ "	30 $\frac{1}{4}$ "	30 $\frac{1}{4}$ "

Dimensions are shown for planning purposes only. For complete information, see Installation Instructions packed with product.

Gold type indicates a step-up feature

MODEL	30-Inch WZF34X16D	30-Inch WZF56R16D	30-Inch WZF34X18D	33-Inch WZF79R20D	SideKicks® All Freezer 30-Inch WSZ57L18D	SideKicks® All Refrigerator 30-Inch WSR57R18D	All Refrigerator 30-Inch WRR56X18F
Capacity (cu. ft.)	16	16	18	20	18	18	18
DESIGN FEATURES							
Contoured door	•	•	•	•			•
Flat door					•	•	
Installation wheels				•	•	•	
Reversible door	•		•				
SideKicks® trim kit					Part No. SKT60M	Part No. SKT60M	
PERFORMANCE FEATURES							
Air tower	•	•	•	•	•	•	
Electronic temperature controls	•	•	•	•	•	•	•
Fast Freeze	•	•	•	•	•		
Frost-free defrost	•	•	•	•	•		
LED interior lighting	•	•	•	•	•	•	•
Optional icemaker		ECKMF95		ECKMF95	ECKMF95		
Temperature alarm	•	•	•	•	•	•	
STORAGE FEATURES							
Dairy bin				•	•	•	•
Full-width door bin				1 fixed	1 adjustable		
Full-width gallon door bin				1 fixed	1 fixed	1 fixed	1 fixed
Full-width door shelves	5 fixed	5 fixed	6 fixed				
Half-width door bins				3 adjustable	3 adjustable	3 adjustable	3 adjustable
Pizza pocket				•	•	•	•
Glass shelves					4 adjustable	3 adjustable	3 adjustable
Half-width humidity-controlled quad crisper						•	•
Slide-out wire shelves	3 adjustable	3 adjustable	4 adjustable	4 adjustable			
Wire bins				2	2		
Key lock	•	•	•	•			
COLORS							
Available colors	W	W	W	W	M	M	W
DIMENSIONS							
Max height including hinges (A)	60 $\frac{1}{4}$ "	60 $\frac{1}{4}$ "	66 $\frac{1}{4}$ "	66 $\frac{1}{4}$ "	66 $\frac{1}{4}$ "	66 $\frac{1}{4}$ "	66 $\frac{1}{4}$ "
Width (B)	30 $\frac{1}{4}$ "	30 $\frac{1}{4}$ "	30 $\frac{1}{4}$ "	33 $\frac{1}{4}$ "	30 $\frac{1}{4}$ "	30 $\frac{1}{4}$ "	30 $\frac{1}{4}$ "
Depth including handle (C)	29 $\frac{1}{2}$ "	30 $\frac{1}{4}$ "	29 $\frac{1}{2}$ "	30"	31 $\frac{1}{4}$ "	31 $\frac{1}{4}$ "	30"
Depth with door open (D)	55 $\frac{1}{4}$ "	55 $\frac{1}{4}$ "	55 $\frac{1}{4}$ "	58 $\frac{1}{4}$ "	55 $\frac{1}{4}$ "	55 $\frac{1}{4}$ "	58 $\frac{1}{4}$ "

Dimensions are shown for planning purposes only. For complete information, see Installation Instructions packed with product.



MODEL(S) SHOWN WUW55X24HS



STORE FOOD & DRINKS YOUR WAY

Customized temperature selection, available in both single-temperature controlled and dual-temperature controlled zones, lets you accommodate whatever food and beverages you're storing, even on different racks.



ITEMS LOOK THE WAY THEY SHOULD

Keep food and drinks looking as good as they taste with LED interior lighting, which casts light inside so everything looks like it's supposed to.



KEEP WINE BOTTLES AT HAND

Conveniently store up to 12, 34 or 51 bottles of wine in the designated wine storage area.



DESIGNED TO SUIT YOUR SPACE

Install reversible stainless steel or glass doors on either side to fit unique spaces.

AVAILABLE COLORS



White (W/Q)



Black (B)



Stainless Steel (S)



Fingerprint-Resistant Stainless Steel (Z)



Fingerprint-Resistant Black Stainless Steel (V)

NOTE: Not all features available on all models.



WUR35X24H

5.1 cu. ft. Refrigerator



- Single-temperature controlled zone
- LED interior lighting
- Towel bar handle
- Reversible stainless steel door



WUR50X24H

5.1 cu. ft. Refrigerator



- Single-temperature controlled zone
- LED interior lighting
- Reversible stainless steel door



WUB35X24H

5.2 cu. ft. Beverage Center



- LED interior lighting
- Towel bar handle
- + Wine storage (up to 12 bottles)
- + Dual-temperature controlled zone
- + Reversible glass door
- + 2 canted wine racks



WUB50X24H

5.2 cu. ft. Beverage Center



- LED interior lighting
- Wine storage (up to 12 bottles)
- Dual-temperature controlled zone
- Reversible glass door
- 2 canted wine racks



WUW35X15D

15" Wine Center



- Single-temperature controlled zone
- LED interior lighting
- Towel bar handle
- Reversible glass door
- + Wine storage (up to 34 bottles)
- + 6 canted wine racks



WUW55X15H

15" Wine Center



- Single-temperature controlled zone
- LED interior lighting
- Reversible glass door
- Wine storage (up to 34 bottles)
- 6 canted wine racks
- + Metal rack fronts



WUW35X24D

24" Wine Center



- Single-temperature controlled zone
- LED interior lighting
- Towel bar handle
- Reversible glass door
- 6 canted wine racks
- + Wine storage (up to 51 bottles)



WUW55X24H

24" Wine Center



- LED interior lighting
- Wine storage (up to 51 bottles)
- Reversible glass door
- 6 canted wine racks
- + Dual-temperature controlled zone
- + Metal rack fronts

Gold type indicates a step-up feature

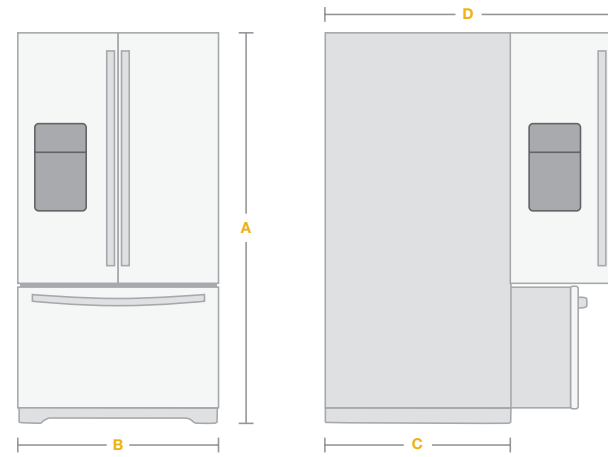
MODEL	Refrigerator 24-Inch WUR35X24H	Refrigerator 24-Inch WUR50X24H	Beverage Center 24-Inch WUB35X24H	Beverage Center 24-Inch WUB50X24H
Capacity (cu. ft.)	5.1	5.1	5.2	5.2
Wine bottle capacity			12	12
DESIGN FEATURES				
Adjustable leveling legs	•	•	•	•
Built-in or freestanding installation	•	•	•	•
Frost-free design	•	•	•	•
Reversible door	•	•	Glass	Glass
Towel bar handle	•		•	
PERFORMANCE FEATURES				
Automatic defrost	•	•	•	•
Electronic temperature controls	•	•	•	•
LED interior lighting	•	•	•	•
Temperature display	Blue	Blue	White	White
Temperature range	41°F–64°F	41°F–64°F	32°F–55°F	32°F–55°F
Temperature sensor alert	•	•	•	•
Temperature zone(s)	1	1	2	2
STORAGE FEATURES				
Glass shelves	2 adjustable spillproof, 1 fixed spillproof	2 adjustable spillproof, 1 fixed spillproof	1 adjustable spillproof, 1 fixed spillproof	1 adjustable spillproof, 1 fixed spillproof
Canted wine racks			2	2
Door bins	3	3		
COLORS				
Available colors	Z	Z	Z	Z / V
DIMENSIONS				
Max height including hinges (A)	35"	35"	35"	35"
Width (B)	23 ⁵ / ₁₆ "	23 ³ / ₁₆ "	23 ³ / ₄ "	23 ³ / ₁₆ "
Depth including handle (C)	25 ⁵ / ₁₆ "	25 ⁵ / ₁₆ "	25 ⁵ / ₁₆ "	25 ⁵ / ₁₆ "

Dimensions are shown for planning purposes only. For complete information, see Installation Instructions packed with product.

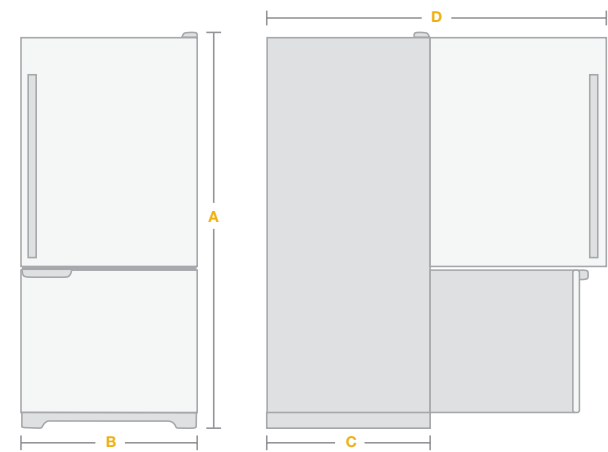
Gold type indicates a step-up feature

MODEL	15-Inch WUW35X15D	15-Inch WUW55X15H	24-Inch WUW35X24D	24-Inch WUW55X24H
Wine bottle capacity	34	34	51	46
DESIGN FEATURES				
Adjustable leveling legs	•	•	•	•
Built-in or freestanding installation	•	•	•	•
Rack fronts	Wood	Metal	Wood	Metal
Reversible glass door	•	•	•	•
Towel bar handle	•		•	
PERFORMANCE FEATURES				
Door open alarm	•	•	•	•
Electronic temperature controls	•	•	•	•
LED interior lighting	•	•	•	•
Temperature display	Blue	Blue	Blue	Blue
Temperature range	41°F–64°F	41°F–64°F	41°F–64°F	41°F–64°F
Temperature sensor alert	•	•	•	•
Temperature zone(s)	1	1	1	2
STORAGE FEATURES				
Canted wine racks	6	6	6	6
COLORS				
Available color	S	S	S	S
DIMENSIONS				
Max height including hinges (A)	34 ³ / ₄ "	34 ³ / ₄ "	34 ³ / ₄ "	34 ³ / ₄ "
Width (B)	15"	15"	23 ³ / ₁₆ "	23 ³ / ₁₆ "
Depth including handle (C)	23 ³ / ₄ "	23 ³ / ₄ "	23 ³ / ₄ "	23 ³ / ₄ "

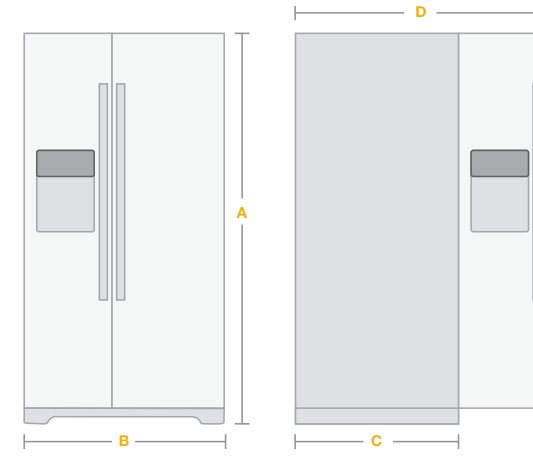
Dimensions are shown for planning purposes only. For complete information, see Installation Instructions packed with product.



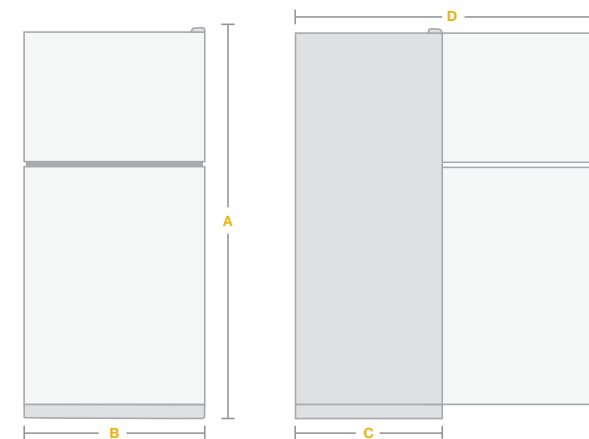
FRENCH DOOR MODEL	MAX HEIGHT (A)	WIDTH (B)	DEPTH (C)	DEPTH WITH DOORS OPEN (D)
WRF560SMH	68½"	29½"	34½"	51½"
WRF560SEY	68½"	29½"	34½"	51½"
WRF560SEH	68½"	30"	34½"	51½"
WRF560SMH	68½"	29½"	34½"	51½"
WRF532SMH	70"	32½"	34½"	47½"
WRF532SMH	70"	32½"	34½"	47½"
WRF535SMH	70"	35½"	35½"	48½"
WRF535SWH	70"	35½"	35½"	48½"
WRF535SWH	70"	35½"	35½"	48½"
WRF555SDF	70"	35½"	35½"	48"
WRF555SDH	70"	35½"	35½"	48"
WRF757SDH	69½"	35½"	35½"	48"
WRF767SDH	69½"	35½"	35½"	48"
WRX735SDH	70"	35½"	34½"	48"
WRX986SIH	70"	35½"	36½"	48½"
WRF540CWH	70"	35½"	29½"	49"
WRF550CDH	70"	36"	30¼"	49"
WRF954CIH	71½"	35½"	31½"	43¼"



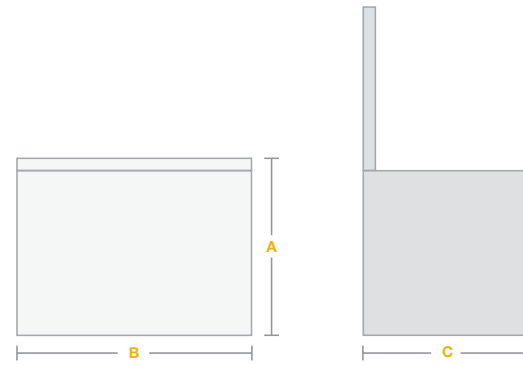
BOTTOM-FREEZER MODEL	MAX HEIGHT (A)	WIDTH (B)	DEPTH (C)	DEPTH WITH DOORS OPEN (D)
WRB322DMB	70"	32½"	33"	62"
WRB322DMH	70"	32½"	33"	62"



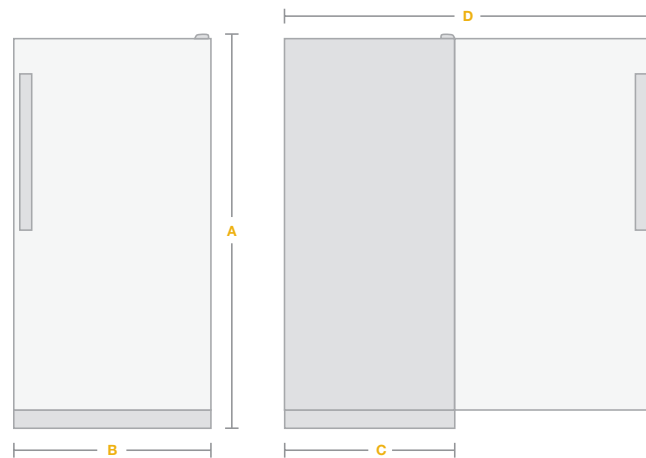
SIDE-BY-SIDE MODEL	MAX HEIGHT (A)	WIDTH (B)	DEPTH (C)	DEPTH WITH DOORS OPEN (D)
WRS312SNH	66½"	32½"	33½"	49½"
WRS315SNH	69½"	35½"	33½"	49½"
WRS15SNH	69½"	35½"	33½"	49½"
WRS311SDH	66½"	32½"	33½"	49½"
WRS315SDH	69½"	35½"	33½"	49½"
WRS321SDH	66½"	32½"	33½"	49½"
WRS325SDH	69½"	35½"	33½"	49½"
WRS331SDH	66½"	32½"	33½"	49½"
WRS335SDH	69½"	35½"	33½"	49½"
WRS555SIH	69½"	35½"	33½"	49½"
WRS88FIH	69"	36"	34½"	51½"
WRS88FIH	69"	36"	34½"	51½"
WRS571CIH	68½"	36"	29½"	45½"
WRS71CIH	68½"	36"	29½"	45½"



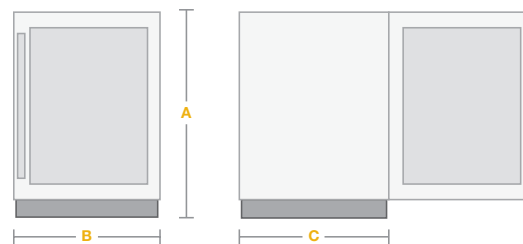
TOP-FREEZER MODEL	MAX HEIGHT (A)	WIDTH (B)	DEPTH (C)	DEPTH WITH DOORS OPEN (D)
WRT111SFD	61¼"	24½"	28½"	48½"
WRT104TFD	62½"	28"	32½"	56½"
WRT106TFD	65½"	28"	33½"	56½"
WRT108FZD	65½"	29¼"	33½"	59½"
WRT134TFD	62½"	28"	32½"	55½"
WRT138FZD	65½"	29¼"	33½"	59½"
WRT314TFD	62½"	28"	32½"	56½"
WRT316SFD	66"	28½"	30½"	54½"
WRT318FZD	65½"	29¼"	33½"	59½"
WRT318FMD	65½"	29¼"	33½"	59½"
WRT348FME	65½"	29¼"	31½"	59½"
WRT311FZD	66¼"	32¼"	32½"	62¼"
WRT518SZF	68½"	28"	31½"	57"
WRT519SZD	65½"	29¼"	34½"	59½"
WRT511SZD	66¼"	32¼"	34"	62¼"
WRT549SZD	65½"	29¼"	34½"	59½"
WRT541SZD	66¼"	32¼"	34"	62¼"
WRT541SZH	66¼"	32¼"	34"	62¼"



CHEST FREEZER MODEL	MAX HEIGHT (A)	WIDTH (B)	DEPTH (C)
WZC3115D	33 3/8"	47 3/8"	30 1/4"
WZC5415D	33 3/8"	47 3/8"	30 1/4"
WZC3122D	33 3/8"	66 1/4"	30 1/4"
WZC5422D	33 3/8"	66 1/4"	30 1/4"



UPRIGHT FREEZER MODEL	MAX HEIGHT (A)	WIDTH (B)	DEPTH (C)	DEPTH WITH DOOR OPEN (D)
WZF34X16D	60 3/4"	30 1/4"	29 1/4"	55 7/8"
WZF56R16D	60 3/4"	30 1/4"	30 1/4"	55 7/8"
WZF34X18D	66 3/4"	30 1/4"	29 1/4"	55 7/8"
WZF79R20D	66 3/4"	33 3/4"	30"	58 1/4"
SIDEKICKS® ALL FREEZER MODEL				
WSZ57L18D	66 3/4"	30 1/4"	31 1/4"	55 7/8"
SIDEKICKS® ALL REFRIGERATOR MODEL				
WSR57R18D	66 3/4"	30 1/4"	31 1/4"	55 7/8"
ALL REFRIGERATOR MODEL				
WRR56X18F	66 3/4"	30 1/4"	30"	58 1/4"



UNDERCOUNTER MODEL	MAX HEIGHT (A)	WIDTH (B)	DEPTH (C)
WUR35X24H	35"	23 3/8"	25 3/8"
WUR50X24H	35"	23 3/8"	25 3/8"
WUB35X24H	35"	23 3/8"	25 3/8"
WUB50X24H	35"	23 3/8"	25 3/8"
WUW35X15D	34 3/8"	15"	23 3/8"
WUW55X15H	34 3/8"	15"	23 3/8"
WUW35X24D	34 3/8"	23 3/8"	23 3/8"
WUW55X24H	34 3/8"	23 3/8"	23 3/8"
GI15NDXZ	34 3/8"	14 3/8"	25 3/8"
GI15PDXZ	34 3/8"	14 3/8"	25 3/8"



CLEANING & MAINTENANCE		PART NO.	
1	Multi-Use Cleaning Brush	Recommended for cleaning refrigerators, this brush helps save energy and ensures proper performance. 37 1/2" (L) x 2" (W) x 2" (D)	4210463RW
2	affresh® Stainless Steel Cleaning Mousse	Specially formulated to eliminate overspray, dripping, and waste for a direct, even coverage that gently cleans fingerprints, smudges, and other residues from your stainless steel appliances.	W11042466
3	affresh® Stainless Steel Cleaning Wipes	Gently clean fingerprints, smudges and other residues on all stainless steel surfaces for a streak-free shine.	W10539769
4	affresh® Ice Machine Cleaner	Designed with a nickel-safe formula to help remove mineral build-up from your freestanding ice machine.	4396808
5	Touch-Up Paint	Touch up appliance exteriors with this 0.6 fl. oz. bottle of touch-up paint. Includes applicator brush.	White – 72017 Black – 72032 Biscuit – 4392899 Universal Silver – 8212473
FRESHFLOW™ FILTERS & DEODORIZERS			
6	FreshFlow™ Air Filter	Up to 15 times more effective than baking soda in reducing common food odors. Replace filter every 6 months for optimal performance.	AIR1/W10311524
7	FreshFlow™ Produce Preserver	Provides 6 months of ethylene absorption in the crisper drawer, helping keep produce fresh.	FRESH1/ W10346771A
8	FreshFlow™ Produce Preserver Starter Kit	Helps keep produce fresh inside the refrigerator. This starter kit fits in any refrigerator bin.	P1FB6S1
EVERYDROP® ICE & WATER FILTERS			
9	Filter 1		EDR1RXD1
10	Filter 2		EDR2RXD1
11	Filter 3		EDR3RXD1
12	Filter 4		EDR4RXD1
13	Filter 5		EDR5RXD1
14	Filter 6		EDR6D1
15	Filter 7		EDR7D1
16	Filter 8		EDR8D1
HOSE & WATER SUPPLY KIT			
17	7' Industrial-Grade Refrigerator Water Hose	Includes (1) 7' braided water supply line with built-in couplings. Provides water to icemakers, ice and water dispensers, freestanding icemakers, humidifiers, and evaporator coolers.	W10505928RP
18	15' Copper Refrigerator Water Supply Kit	Includes (1) 15' copper water supply line, (1) saddle valve, (1) coupling union, Teflon® tape and installation instructions.	8003RP
OPTIONAL ICEMAKER KITS			
19	WRT108FZD, WRT138FZD, WRT148FZD, WRT318FZD, WRT518SZF, WRT519SZD, WRT549SZD, WRT311FZD, WRT511SZD, WRT541SZD, WRT541SZH		ECKMFE22
20	WRS312SNH, WRS315SNH, WRS315SNH, WRT104TFD, WRT314TFD, WRT134TFD, WRT106TFD, WRT316SFD, WZF56R16D, WZF79R20D, WSZ57L18D		ECKMF95
21	WRT111SFD		24ECKMF

A**ACCU-CHILL™ TEMPERATURE MANAGEMENT SYSTEM**

Cool food quickly with technology that senses and adapts to create the ideal environment for food.

ADAPTIVE DEFROST

Automatically monitors the freezer environment and runs the cycle only when necessary.

ADJUSTABLE GALLON DOOR BINS

Move these adjustable bins anywhere in the door for increased loading flexibility when and where you need it.

AUTO-HUMIDITY CRISPERS

Easily store fruits and veggies of all shapes and sizes and help keep them fresh with automatic humidity control.

C**CAN CADDY**

Free up shelf space and get more flexibility using this in-door can caddy that holds either cans or bottles.

CHEST FREEZER STORAGE BINS

Provide convenient storage options for better organization.

CONDIMENT CADDY

Easily move condiments or other items from the refrigerator to the table or grill in this removable door bin with a convenient carrying handle.

COUNTER DEPTH DESIGN

Add additional kitchen space with styling that fits virtually flush with the countertop.

D**DAIRY BIN**

Easily access butter, cheese and other dairy products in a bin made to keep them fresh.

DEFROST DRAIN WITH HOSE ADAPTER

Whirlpool® chest freezers with this feature offer more convenient defrosting with less mess.

DELI DRAWER

Store plenty of meat and cheese with a deli drawer.

DELI DRAWER WITH CUSTOMIZABLE TEMPERATURE

Make temperature adjustments based on the refrigerated foods you'd like to store so things like meat, deli items and drinks are kept in their ideal cooling environment.

DUAL COOLING

Keep food fresh with advanced dual cooling technology, which senses conditions and automatically adapts humidity levels, so food is stored in the right environment.

DUAL ICEMAKERS

Always have plenty of ice on hand with a secondary icemaker in the freezer.

DUAL TEMPERATURE-CONTROLLED ZONE

Select undercounter wine and beverage centers feature a dual temperature-controlled zone. Customize up to two different temperatures to accommodate whatever beverages you're storing.

E**EASY CLEAN CORNERS**

In Whirlpool® chest freezers, these rounded corners replace hard-to-reach edges for easier access and quick cleanup.

ELECTRONIC TEMPERATURE CONTROLS

Choose the ideal temperature for whatever foods you're storing with convenient, up-front controls.

ENERGY STAR® CERTIFIED

ENERGY STAR® certified models exceed government standards to help save money on your utility bills.

EVERYDROP® ICE AND WATER FILTRATION SYSTEM

All Whirlpool® water filters are EveryDrop® ice and water refrigerator filters. Replace your filter every 6 months to maximize the reduction of contaminants.

EXTERIOR ICE AND WATER DISPENSER WITH EVERYDROP® FILTRATION

Access fresh filtered water and ice without ever opening the refrigerator door.

EXTERIOR WATER DISPENSER WITH EVERYDROP® FILTRATION

Access fresh filtered water without ever opening the refrigerator door.

EZ CONNECT ICEMAKER KIT

This optional icemaker for select top-freezer refrigerators adds convenient, easily accessible ice without having to worry about refilling ice trays.

F**FACTORY-INSTALLED ICEMAKER**

Don't worry about refilling ice trays with this pre-installed icemaker that makes sure you always have plenty of ice on hand.

FAST COOL OPTION

Quickly lower the refrigerator temperature with the push of a button when you need to rapidly cool freshly bought groceries or other foods.

FAST FREEZE

In select Whirlpool® freezers, activate Fast Freeze to rapidly drop the freezer's temperature to its lowest setting so food freezes in a snap, helping lock in freshness and flavor.

FAST ICE OPTION

Drops the freezer temperature in select models for a full 24 hours to increase ice production by over 30%.*

FINGERPRINT RESISTANT

Resists fingerprints and smudges with steel that's easy to clean.

FLEXI-SLIDE™ BIN

Make space for tall items with the bin that quickly and easily moves side-to-side for convenient storage options.

FLIP ADJUSTERS

Get more vertical room when you need it without unloading a thing. Our industry-first flip adjusters raise or lower the pantry shelves two inches with a simple turn even while the shelves are fully loaded.

FRAMELESS GLASS SHELVES

Store more items on each shelf with wall-to-wall frameless glass shelves, which offer greater storage flexibility.

FREEZER DIVIDER

Easily customize storage and organize frozen food using the movable freezer divider bin.

FREEZER TEMPERATURE CONTROLS

Keep frozen items ice cold with controls that allow you to adjust the temperature level in the freezer compartment.

FREEZESHIELD OPTION

Reduces temperature fluctuations from the automatic defrost cycle with the push of a button.

FRESHFLOW™ AIR FILTER

The FreshFlow™ air filter is up to 15 times more effective than baking soda in removing common food odors. This carbon-based filter should be replaced every 6 months for optimal freshness.

FRESHFLOW™ PRODUCE PRESERVER

Keep fruits and veggies in the ideal environment to help produce stay fresher longer.**

FROST-FREE DEFROST

Stop emptying the freezer to manually defrost with a freezer that automatically helps prevent frost build-up.

FULL-WIDTH PANTRY DRAWER

Easily store wide items like party platters and sheet cakes in the full-width drawer.

FULL-WIDTH TEMPERATURE-CONTROLLED DRAWER

Store wide items like party platters and sheet cakes or preserve large amounts of meat and cheese at just the right temperature.

G**GALLON DOOR BINS**

Easily accommodate beverage jugs and other large containers in the door to free up shelf space.

H**HIDDEN HINGES**

Get a seamless look with door hinges that stay out of sight.

HUMIDITY-CONTROLLED CRISPER

Store fruits and vegetables in their ideal environment.

*Compared to normal ice production. **Based on commonly purchased produce.

HUMIDITY-CONTROLLED DOUBLE CRISPER

Get the room you need to store fruits and vegetables in their ideal environment.

I**IN-DOOR-ICE® STORAGE**

With an ice bin that's been moved to the door, get an extra full shelf in the refrigerator compartment of select french door bottom-freezer refrigerators, and two extra shelves in the freezer compartment of select side-by-side refrigerators.

INFINITY SLIDE SHELF

Make room for large, high-traffic items with an adjustable shelf that slides back and stops at any point to give you the space you need, even if it's just an inch, so you can fit and find it all.

INTERIOR WATER DISPENSER WITH EVERYDROP® FILTRATION

Easily access fresh filtered water with the interior dispenser.

L**LED DISPENSER NIGHT-LIGHT**

Easily find water and ice at night when you turn on the dispenser night-light.

LED INTERIOR LIGHTING

Keep food looking as good as it tastes. Light is cast inside the refrigerator so food looks like it's supposed to.

M**MEASURED FILL**

Select the exact amount of filtered water you need. The dispenser will fill your container in ounces, cups or liters, and automatically shut off when it's done.

METAL RACK FRONTS

In select undercounter wine centers, get a premium look and feel with quality that lasts through years of use.

P**PANORAMIC LED LIGHTING**

Quickly find food with lighting that reduces shadows and keeps everything in sight to help you find what you're looking for.

PIZZA POCKET

Easily stores frozen pizzas upright without the hassle of trying to fit them on flat freezer shelves.

PLATTER POCKET

Wide, flat items like brownie pans, lasagna and pizza boxes stay tucked out of the way in this space designed to keep them safe from stacking.

Q**QUAD CRISPER**

Have plenty of space for all your fresh produce with this crisper option, available on all-refrigerator models.

R**REFRIGERATED EXTERIOR DRAWER**

Keep items you use most within easy reach. An exterior drawer gives you additional refrigeration space and lets you adjust temperature controls and dividers based on what you're storing.

REVERSIBLE SIDE-SWING FREEZER DOOR

Instead of a freezer drawer, select bottom-freezer models feature a reversible side-swing door, which allows for additional storage bins in the door.

S**SIDEKICKS® UPRIGHT MODELS**

Place the refrigerator and freezer models side by side and get up to a combined 36 cu. ft. of storage for all your favorite foods.

SINGLE-TEMPERATURE CONTROLLED ZONE

Store food and beverages the way you like them with customized temperature selection in select undercounter refrigerators and wine centers.

SMALL ITEMS BIN

Keep sight of the little things, like butter and string cheese, in the small items bin.

SPILLPROOF GLASS SHELVES

Simplify cleanup with shelves that help contain spills and prevent liquids from leaking below.

T**TEMPERATURE ALARM**

Notifies you when the freezer's temperature rises to help you monitor the ideal environment for your frozen foods.

TEMPERATURE SENSOR ALERT

Keep items at their ideal temperature with an alert that lets you know if the temperature is rising or cold air is escaping through an open door.

TRIPLE CRISPER

Get more storage flexibility with two large, auto-humidity controlled crispers and a smaller center crisper.

TRIPLE-TIER FREEZER STORAGE

Quickly find frozen food in the triple-tier freezer. Three levels of organization help you avoid stacking or burying so you can see and get to frozen foods faster.

TWO-TIER FREEZER STORAGE

Easily organize frozen favorites with two tiers of storage.

TUCK SHELF

This adjustable shelf has two positions to temporarily create more space for tall items. The front half slides under the back half.



GETTING MEALS TO THE TABLE QUICKLY

That's caring—and why our cooking features cut out routine steps so you're ready for the unpredictable.

121	RANGES & SPECIFICATIONS
143	WALL OVENS & SPECIFICATIONS
155	COOKTOPS & SPECIFICATIONS
167	MICROWAVES & SPECIFICATIONS
177	HOODS, VENTS & SPECIFICATIONS
189	DIMENSIONS
193	ACCESSORIES
195	GLOSSARY



MODEL(S) SHOWN WEGA25H0HN, WMHA9013HN



KEEP UP WITH COOKING FROM ANYWHERE

Send cooking instructions for frozen food to the oven from your smartphone* using Scan-to-Cook technology** and get instant access to the settings you use most with a touchscreen that learns and adapts based on your family's routines.



MAKES MEAL PREP EASIER

Yummly® Guided Cooking™ helps you answer “what’s for dinner?” before it’s even asked, with recipes, tutorials and prompts in the app that send cooking instructions straight to your smart appliance at the right times.†



CONTROL YOUR RANGE WITH SIMPLE VOICE COMMANDS††

Voice control with a compatible voice-enabled device** lets you control your kitchen no matter what you’ve got on your hands using the Google Assistant or an Alexa-enabled device.



SKIP PREHEATING

Cook frozen favorites like pizza in fewer steps thanks to Frozen Bake™ technology, which uses preprogrammed settings that automatically adjust cooking times for you.

AVAILABLE COLORS



NOTE: Not all features available on all models. Screen images simulated.

*Not all frozen foods included. Appliance must be set to remote enable. WiFi & App Required. Features subject to change. Details and privacy info at whirlpool.com/connect.
 **U.S. only. †Select recipes only. Compatible smart appliance required. Appliance must be set to remote enable. Features subject to change. Details and privacy info at whirlpool.com/connect and yummly.com. ††Appliance must be set to remote enable. WiFi & App Required. Features subject to change. Details and privacy info at whirlpool.com/connect.



WEC310S0F

4.8 cu. ft. Range



- Frozen Bake™ technology
- Guided cooktop controls
- Upswept SpillGuard™ cooktop
- Temperature sensor



WEC310SAG

4.8 cu. ft. Range



- Frozen Bake™ technology
- Guided cooktop controls
- Upswept SpillGuard™ cooktop
- Temperature sensor



WEE510S0F

4.8 cu. ft. Range



- Frozen Bake™ technology
- Guided cooktop controls
- Temperature sensor
- + (2) 9"/6" 3,000W FlexHeat™ dual radiant elements
- + Easy-wipe ceramic glass cooktop
- + Storage drawer



WEE510SAG

4.8 cu. ft. Range



- Frozen Bake™ technology
- Guided cooktop controls
- Temperature sensor
- (2) 9"/6" 3,000W FlexHeat™ dual radiant elements
- Easy-wipe ceramic glass cooktop

+ Indicates a step-up feature.



WEE745H0F

6.4 cu. ft. Range



- Frozen Bake™ technology
- Temperature sensor
- Easy-wipe ceramic glass cooktop
- + True convection cooking
- + 12"/9"/6" 3,000W FlexHeat™ triple radiant element
- + 6" 100W Warm Zone element



WEE750H0H

6.4 cu. ft. Smart Range



- Frozen Bake™ technology
- True convection cooking
- 12"/9"/6" 3,000W FlexHeat™ triple radiant element
- + Smart appliance with the Whirlpool® app
- + Scan-to-Cook technology*
- + Color touchscreen
- + Voice control with a compatible voice-enabled device*
- + Yummly® Guided Cooking*



WEEA25H0H

6.4 cu. ft. Smart Range



- Frozen Bake™ technology
- True convection cooking
- 12"/9"/6" 3,000W FlexHeat™ triple radiant element
- Smart appliance with the Whirlpool® app
- Scan-to-Cook technology*
- Color touchscreen
- Voice control with a compatible voice-enabled device*
- Yummly® Guided Cooking*



+ Indicates a step-up feature.
*U.S. only.



WEG515S0F

5.0 cu. ft. Range



- Frozen Bake™ technology
- (2) 15,000 BTU SpeedHeat™ burners
- 5,000 BTU AccuSimmer® burner
- Edge-to-edge cast-iron grates



WEG745H0F

5.8 cu. ft. Range

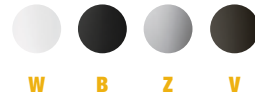


- Frozen Bake™ technology
- 5,000 BTU AccuSimmer® burner
- + EZ-2-Lift™ hinged cast-iron grates
- + True convection cooking
- + 17,000 BTU SpeedHeat™ burner
- + 8,000 BTU center oval burner



WEG750H0H

5.8 cu. ft. Smart Range



- Frozen Bake™ technology
- EZ-2-Lift™ hinged cast-iron grates
- True convection cooking
- 17,000 BTU SpeedHeat™ burner
- + Smart appliance with the Whirlpool® app
- + Scan-to-Cook technology*
- + Color touchscreen
- + Voice control with a compatible voice-enabled device*
- + Yummly® Guided Cooking*
- + Griddle (included)



WEGA25H0H

5.8 cu. ft. Smart Range



- Frozen Bake™ technology
- EZ-2-Lift™ hinged cast-iron grates
- True convection cooking
- 17,000 BTU SpeedHeat™ burner
- Smart appliance with the Whirlpool® app
- Scan-to-Cook technology*
- Color touchscreen
- Voice control with a compatible voice-enabled device*
- Yummly® Guided Cooking*
- Griddle (included)



+ Indicates a step-up feature.
*U.S. only.



WFC150M0E

4.8 cu. ft. Range

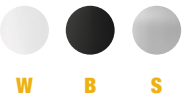


- (2) 8" 2,100W coil elements
- (2) 6" 1,250W coil elements
- Sabbath mode



WFC310S0E

4.8 cu. ft. Range

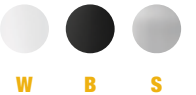


- Sabbath mode
- + (2) 8" 2,600W coil elements
- + (2) 6" 1,500W coil elements
- + Temperature sensor



WFE320M0E

4.8 cu. ft. Range



- Sabbath mode
- + 9"/6" 3,000W FlexHeat™ dual radiant element
- + Easy-wipe ceramic glass cooktop



WFE505W0H

5.3 cu. ft. Range



- 9"/6" 3,000W FlexHeat™ dual radiant element
- Easy-wipe ceramic glass cooktop
- + Frozen Bake™ technology
- + 6" 100W Warm Zone element
- + Keep Warm setting
- + Temperature sensor
- + Steam Clean option

+ Indicates a step-up feature.



WFE510S0H

5.3 cu. ft. Range



- 9"/6" 3,000W FlexHeat™ dual radiant element
- Easy-wipe ceramic glass cooktop
- Frozen Bake™ technology
- Keep Warm setting
- Temperature sensor
- + Adjustable self-cleaning technology



WFE520S0F

5.3 cu. ft. Range



- 9"/6" 3,000W FlexHeat™ dual radiant element
- Easy-wipe ceramic glass cooktop
- Frozen Bake™ technology
- Keep Warm setting
- Temperature sensor
- Adjustable self-cleaning technology
- + Fan convection cooking



WFE525S0H

5.3 cu. ft. Range



- Easy-wipe ceramic glass cooktop
- Frozen Bake™ technology
- Keep Warm setting
- Temperature sensor
- Adjustable self-cleaning technology
- + (2) 9"/6" 3,000W FlexHeat™ dual radiant elements
- + 6" 100W Warm Zone element



WFE550S0H

5.3 cu. ft. Range



- Easy-wipe ceramic glass cooktop
- Frozen Bake™ technology
- Keep Warm setting
- Temperature sensor
- 9"/6" 3,000W FlexHeat™ dual radiant element
- 6" 100W Warm Zone element
- Adjustable self-cleaning technology
- + Fan convection cooking
- + 12"/9" 3,000W FlexHeat™ dual radiant element

+ Indicates a step-up feature.



WFE775H0H

6.4 cu. ft. Range



- Frozen Bake™ technology
- Keep Warm setting
- 6" 100W Warm Zone element
- Fan convection cooking
- 12"/9" 3,000W FlexHeat™ dual radiant element
- + Max capacity rack
- + 6" 300W/1,300W radiant element



WFE975H0H

6.4 cu. ft. Smart Range



- Frozen Bake™ technology
- Keep Warm setting
- 6" 100W Warm Zone element
- + Smart appliance with the Whirlpool® app
- + Scan-to-Cook technology
- + Voice control with a compatible voice-enabled device*
- + True convection cooking
- + 12"/9"/6" 3,000W FlexHeat™ triple radiant element
- + Rapid Preheat



+ Indicates a step-up feature.
*U.S. only.



WFG320M0B

5.1 cu. ft. Range



- Broiler drawer
- (2) 15,000 BTU SpeedHeat™ burners
- 5,000 BTU AccuSimmer® burner
- Full-width cast-iron grates



WFG505M0B

5.1 cu. ft. Range

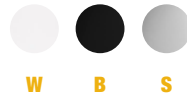


- Broiler drawer
- (2) 15,000 BTU SpeedHeat™ burners
- 5,000 BTU AccuSimmer® burner
- Full-width cast-iron grates
- + 8,000 BTU center oval burner
- + Griddle (included)



WFG510S0H

5.0 cu. ft. Range



- (2) 15,000 BTU SpeedHeat™ burners
- 5,000 BTU AccuSimmer® burner
- + Frozen Bake™ technology
- + Keep Warm setting
- + Temperature sensor
- + Adjustable self-cleaning technology



WFG520S0F

5.0 cu. ft. Range



- (2) 15,000 BTU SpeedHeat™ burners
- 5,000 BTU AccuSimmer® burner
- Frozen Bake™ technology
- Keep Warm setting
- Temperature sensor
- + Fan convection cooking
- + Edge-to-edge cast-iron grates

+ Indicates a step-up feature.



WFG525S0H

5.0 cu. ft. Range

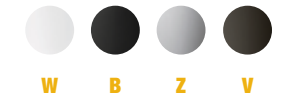


- (2) 15,000 BTU SpeedHeat™ burners
- 5,000 BTU AccuSimmer® burner
- Frozen Bake™ technology
- Keep Warm setting
- Temperature sensor
- + Adjustable self-cleaning technology
- + 8,000 BTU center oval burner



WFG550S0H

5.0 cu. ft. Range



- (2) 15,000 BTU SpeedHeat™ burners
- 5,000 BTU AccuSimmer® burner
- Frozen Bake™ technology
- Keep Warm setting
- Temperature sensor
- Adjustable self-cleaning technology
- 8,000 BTU center oval burner
- + Fan convection cooking



WFG775H0H

5.8 cu. ft. Range



- 5,000 BTU AccuSimmer® burner
- Frozen Bake™ technology
- Keep Warm setting
- Temperature sensor
- 8,000 BTU center oval burner
- Fan convection cooking
- + EZ-2-Lift™ hinged cast-iron grates
- + 18,000 BTU SpeedHeat™ burner
- + Griddle (included)



WFG975H0H

5.8 cu. ft. Smart Range



- Frozen Bake™ technology
- EZ-2-Lift™ hinged cast-iron grates
- Griddle (included)
- + Smart appliance with the Whirlpool® app
- + Scan-to-Cook technology*
- + Voice control with a compatible voice-enabled device*
- + True convection cooking
- + Rapid Preheat



+ Indicates a step-up feature.
*U.S. only.



WGE745C0F

6.7 total cu. ft. Electric Range



- Frozen Bake™ technology (upper oven)
- True convection cooking with Convection Conversion (lower oven)
- Easy-wipe ceramic glass cooktop
- 12"/9"/6" 3,000W FlexHeat™ triple radiant element
- 6" 100W Warm Zone element



WGG745S0F

6.0 total cu. ft. Gas Range



- Frozen Bake™ technology (upper oven)
- True convection cooking with Convection Conversion (lower oven)
- EZ-2-Lift™ hinged cast-iron grates
- 16,000 BTU SpeedHeat™ burner
- 7,350 BTU center oval burner



WFE500M4H

3.0 cu. ft. Electric Range



- Small space solution
- ADA compliant
- Hot oven indicator light
- Hot surface indicator light
- Broiler
- Upswept SpillGuard™ cooktop



WFG500M4H

3.0 cu. ft. Gas Range



- Small space solution
- ADA compliant
- AccuSimmer® burner
- 15,000 BTU high-powered burner
- Dishwasher-safe cast-iron grates
- Broiler drawer

Gold type indicates a step-up feature

MODEL	30-Inch WEC310S0F	30-Inch WEC310SAG	30-Inch WEE510S0F	30-Inch WEE510SAG	30-Inch WEE745H0F	30-Inch WEE750H0H	30-Inch WEEA25H0H
Capacity (cu. ft.)	4.8	4.8	4.8	4.8	6.4	6.4	6.4
Recommended microwave hood combination	WMH31017H	WMH31017H	WMH31017H	WMH31017H	WMH54521H	WMH78019H WMHA9019H	WMHA9019H
Smart appliance with the Whirlpool® app						•	•
SMART APPLIANCE FEATURES							
Enhanced troubleshooting & guided service						•	•
Multi-Step Cooking						•	•
Party mode						•	•
Scan-to-Cook technology*						•	•
Voice control with a compatible voice-enabled device*						•	•
Yummly® Guided Cooking*						•	•
DESIGN FEATURES							
Color touchscreen						•	•
Element type	Coil	Coil	Radiant	Radiant	Radiant	Radiant	Radiant
FIT system	•	•	•		•	•	•
OVEN FEATURES							
Adjustable racks	2	2	2	2	3	3	3
Broil element	3,400W	3,400W	3,400W	3,400W	4,000W	3,600W	3,600W
Cleaning system	Adjustable self	Adjustable self	Adjustable self	Adjustable self	AquaLift® self-cleaning technology	AquaLift® self-cleaning technology	AquaLift® self-cleaning technology
Control Lock	•	•	•	•	•	•	•
Frozen Bake™ technology	•	•	•	•	•	•	•
Keep Warm setting	•	•	•	•	•	•	•
Max capacity rack					•	•	•
Rack positions	5	5	5	5	7	7	7
Rapid Preheat					•	•	•
Sabbath mode	•	•	•	•	•	•	•
Temperature sensor	•	•	•	•	•	•	•
True convection cooking					with Convection Conversion	with Convection Conversion	with Convection Conversion
COOKTOP FEATURES							
Cooktop type	Upswept SpillGuard™	Upswept SpillGuard™	Easy-wipe ceramic glass	Easy-wipe ceramic glass	Easy-wipe ceramic glass	Easy-wipe ceramic glass	Easy-wipe ceramic glass
Guided cooktop controls	•	•	•	•			
Left front element	8" 2,600W	8" 2,600W	9"/6" 3,000W FlexHeat™ dual	9"/6" 3,000W FlexHeat™ dual	12"/9"/6" 3,000W FlexHeat™ triple	12"/9"/6" 3,000W FlexHeat™ triple	12"/9"/6" 3,000W FlexHeat™ triple
Left rear element	6" 1,500W	6" 1,500W	6" 1,200W	6" 1,200W	6" 300W/1,300W	6" 300W/1,300W	6" 300W/1,300W
Right front element	6" 1,500W	6" 1,500W	9"/6" 3,000W FlexHeat™ dual	9"/6" 3,000W FlexHeat™ dual	9"/6" 3,000W FlexHeat™ dual	9"/6" 3,000W FlexHeat™ dual	9"/6" 3,000W FlexHeat™ dual
Right rear element	8" 2,600W	8" 2,600W	6" 1,200W	6" 1,200W	6" 1,200W	6" 1,200W	6" 1,200W
Center element					6" 100W Warm Zone	6" 100W Warm Zone	6" 100W Warm Zone
SPECIAL FEATURES/CERTIFICATIONS							
ADA compliant	•	•	•	•	•	•	•
Star-K certified	•	•	•	•	•	•	•
Storage drawer	•		•		•	•	•
COLORS							
Available colors	W / B / S	W / B / S	W / B / S / V	W / B / S	S / H / E	W / B / Z / V	Z / N
DIMENSIONS							
Max height (A)	37"	35"	37"	35"	36"	36"	36"
Width (B)	29 5/8"	29 5/8"	29 5/8"	29 5/8"	29 5/8"	29 5/8"	29 5/8"
Depth including handles (C)	29 5/8"	29 1/2"	28 5/8"	29 1/4"	28 5/8"	28 5/8"	28 5/8"
Depth with door open (D)	47 5/8"	47 5/8"	47 5/8"	47 5/8"	48 3/4"	48 3/4"	48 3/4"

Dimensions are shown for planning purposes only. For complete information, see Installation Instructions packed with product.
*U.S. only.

Gold type indicates a step-up feature

MODEL	30-Inch WEG515S0F	30-Inch WEG745H0F	30-Inch WEG750H0H	30-Inch WEGA25H0H
Capacity (cu. ft.)	5.0	5.8	5.8	5.8
Recommended microwave hood combination	WMH31017H	WMH54521H	WMH78019H WMHA9019H	WMHA9019H
Smart appliance with the Whirlpool® app			•	•
SMART APPLIANCE FEATURES				
Enhanced troubleshooting & guided service			•	•
Multi-Step Cooking			•	•
Party mode			•	•
Scan-to-Cook technology*			•	•
Voice control with a compatible voice-enabled device*			•	•
Yummly® Guided Cooking*			•	•
DESIGN FEATURES				
Color touchscreen			•	•
FIT system	•	•	•	•
OVEN FEATURES				
Adjustable racks	2	3	3	3
Broil element	1,300W	13,000 BTU	11,000 BTU	11,000 BTU
Cleaning system	Adjustable self	AquaLift® self-cleaning technology	AquaLift® self-cleaning technology	AquaLift® self-cleaning technology
Control Lock	•	•	•	•
Frozen Bake™ technology	•	•	•	•
Keep Warm setting	•	•	•	•
Max capacity rack		•	•	•
Rack positions	5	7	7	7
Rapid Preheat		•	•	•
Sabbath mode	•	•	•	•
Temperature sensor	•	•	•	•
True convection cooking		with Convection Conversion	with Convection Conversion	with Convection Conversion
COOKTOP FEATURES				
Cast-iron grates	Edge-to-edge	EZ-2-Lift™ hinged	EZ-2-Lift™ hinged	EZ-2-Lift™ hinged
Griddle (included)			•	•
Guided cooktop controls	•			
Left front burner	15,000 BTU SpeedHeat™	17,000 BTU SpeedHeat™	17,000 BTU SpeedHeat™	17,000 BTU SpeedHeat™
Left rear burner	9,500 BTU	5,000 BTU AccuSimmer®	5,000 BTU AccuSimmer®	5,000 BTU AccuSimmer®
Right front burner	15,000 BTU SpeedHeat™	15,000 BTU SpeedHeat™	13,000 BTU FlexHeat™	13,000 BTU FlexHeat™
Right rear burner	5,000 BTU AccuSimmer®	9,200 BTU	9,500 BTU	9,500 BTU
Center oval burner		8,000 BTU	10,000 BTU	10,000 BTU
Upswept SpillGuard™ cooktop	•	•	•	•
SPECIAL FEATURES/CERTIFICATIONS				
ADA compliant	•	•	•	•
Star-K certified	•	•		
Storage drawer	•	•	•	•
COLORS				
Available colors	W / B / S / V	S / H / E	W / B / Z / V	Z / N
DIMENSIONS				
Max height (A)	37"	36"	36"	36"
Width (B)	29 5/8"	29 5/8"	29 5/8"	29 5/8"
Depth including handles (C)	28 5/8"	28 5/8"	28 5/8"	28 5/8"
Depth with door open (D)	47 5/8"	47 5/8"	48 3/4"	48 3/4"

Dimensions are shown for planning purposes only. For complete information, see Installation Instructions packed with product.
*U.S. only.

Gold type indicates a step-up feature

MODEL	30-Inch WFC150MOE	30-Inch WFC310SOE	30-Inch WFE320MOE	30-Inch WFE305WOH	30-Inch WFE510SOH
Capacity (cu. ft.)	4.8	4.8	4.8	5.3	5.3
Recommended microwave hood combination	WMH31017H	WMH31017H	WMH31017H	WMH31017H	WMH31017H
DESIGN FEATURES					
Element type	Coil	Coil	Radiant	Radiant	Radiant
OVEN FEATURES					
Adjustable racks	2	2	2	2	2
Broil element	3,400W	3,400W	3,400W	3,400W	3,400W
Cleaning system	Standard	Self-cleaning	Standard	Steam Clean option	Adjustable self-cleaning technology
Control Lock	•	•	•	•	•
Frozen Bake™ technology				•	•
Keep Warm setting		•		•	•
Rack positions	5	5	5	5	5
Sabbath mode	•	•	•	•	•
Temperature sensor		•		•	•
COOKTOP FEATURES					
Easy-wipe ceramic glass cooktop			•	•	•
Left front element	8" 2,100W	8" 2,600W	9"/6" 3,000W FlexHeat™ dual	9"/6" 3,000W FlexHeat™ dual	9"/6" 3,000W FlexHeat™ dual
Left rear element	6" 1,250W	6" 1,500W	6" 1,200W	6" 1,200W	6" 1,200W
Right front element	6" 1,250W	6" 1,500W	9" 2,500W	9" 2,500W	9" 2,500W
Right rear element	8" 2,100W	8" 2,600W	6" 1,200W	6" 1,200W	6" 1,200W
Center element				6" 100W Warm Zone	
Upswept SpillGuard™ cooktop				•	•
SPECIAL FEATURES/CERTIFICATIONS					
Star-K certified	•	•	•	•	•
Storage drawer	•	•	•	•	•
COLORS					
Available colors	W / B	W / B / S	W / B / S	W / B / S / Z	W / B / S
DIMENSIONS					
Max height (A)	47 1/8"	47 1/8"	47 1/8"	47 1/8"	47 1/8"
Width (B)	29 3/4"	29 3/4"	29 3/4"	29 3/4"	29 3/4"
Depth including handles (C)	27 3/4"	27 3/4"	27 3/4"	27 3/4"	27 3/4"
Depth with door open (D)	46 3/4"	46 3/4"	46 3/4"	46 1/8"	46 1/8"

Dimensions are shown for planning purposes only. For complete information, see Installation Instructions packed with product.

Gold type indicates a step-up feature

MODEL	30-Inch WFE520SOF	30-Inch WFE525SOH	30-Inch WFE550SOH	30-Inch WFE775H0H	30-Inch WFE975H0H
Capacity (cu. ft.)	5.3	5.3	5.3	6.4	6.4
Recommended microwave hood combination	WMH31017H	WMH32519H	WMH53521H	WMH75021H	WMH78019H WMH9019H
Smart appliance with the Whirlpool® app					•
SMART APPLIANCE FEATURES					
Enhanced troubleshooting & guided service					•
Multi-Step Cooking					•
Party mode					•
Scan-to-Cook technology*					•
Voice control with a compatible voice-enabled device*					•
Yummly® Guided Cooking*					•
DESIGN FEATURES					
Element type	Radiant	Radiant	Radiant	Radiant	Radiant
OVEN FEATURES					
Adjustable racks	2	2	2	3	3
Broil element	3,400W	3,400W	3,400W	3,600W	3,600W
Cleaning system	Adjustable self-cleaning technology	Adjustable self-cleaning technology	Adjustable self-cleaning technology	AquaLift® self-cleaning technology	AquaLift® self-cleaning technology
Control Lock	•	•	•	•	•
Frozen Bake™ technology	•	•	•	•	•
Keep Warm setting	•	•	•	•	•
Max capacity rack				•	•
Rack positions	5	5	5	7	7
Rapid Preheat					•
Sabbath mode	•	•	•	•	•
Temperature sensor	•	•	•	•	•
Convection cooking	Fan		Fan	Fan	True
COOKTOP FEATURES					
Easy-wipe ceramic glass cooktop	•	•	•	•	•
Left front element	9"/6" 3,000W FlexHeat™ dual	9"/6" 3,000W FlexHeat™ dual	12"/9" 3,000W FlexHeat™ dual	12"/9" 3,000W FlexHeat™ dual	12"/9"/6" 3,000W FlexHeat™ triple
Left rear element	6" 1,200W	6" 1,200W	6" 1,200W	6" 300W/1,300W	6" 300W/1,300W
Right front element	9" 2,500W	9"/6" 3,000W FlexHeat™ dual	9"/6" 3,000W FlexHeat™ dual	9"/6" 3,000W FlexHeat™ dual	9"/6" 3,000W FlexHeat™ dual
Right rear element	6" 1,200W	6" 1,200W	6" 1,200W	6" 1,200W	6" 1,200W
Center element		6" 100W Warm Zone	6" 100W Warm Zone	6" 100W Warm Zone	6" 100W Warm Zone
Upswept SpillGuard™ cooktop		•	•		
SPECIAL FEATURES/CERTIFICATIONS					
Star-K certified	•	•	•	•	•
Storage drawer	•	•	•	•	•
COLORS					
Available colors	S	W / B / T / S / Z / V	W / B / Z / V	W / B / Z / V	Z / V
DIMENSIONS					
Max height (A)	47 1/8"	47 1/8"	47 1/8"	46 1/2"	46 1/2"
Width (B)	29 3/4"	29 3/4"	29 3/4"	29 3/4"	29 3/4"
Depth including handles (C)	27 3/4"	27 3/4"	27 3/4"	27 3/4"	27 3/4"
Depth with door open (D)	46 3/4"	46 1/8"	46 1/8"	47 1/8"	47 1/8"

Dimensions are shown for planning purposes only. For complete information, see Installation Instructions packed with product. *U.S. only.

Gold type indicates a step-up feature

MODEL	30-Inch WFG320MOB	30-Inch WFG505MOB	30-Inch WFG510SOH	30-Inch WFG520SOF
Capacity (cu. ft.)	5.1	5.1	5.0	5.0
Recommended microwave hood combination	WMH31017H	WMH32519H	WMH31017H	WMH31017H
OVEN FEATURES				
Adjustable racks	2	2	2	2
Broil element	16,500 BTU	16,500 BTU	10,000 BTU	10,000 BTU
Cleaning system	Manual	Manual	Adjustable self-cleaning technology	Self
Control Lock	•	•	•	•
Frozen Bake™ technology			•	•
Keep Warm setting			•	•
Rack positions	5	5	5	5
Sabbath mode			•	•
Temperature sensor			•	•
Convection cooking				Fan
COOKTOP FEATURES				
Cast-iron grates	Full-width	Full-width	•	Edge-to-edge
Griddle (included)		•		
Left front burner	15,000 BTU SpeedHeat™	15,000 BTU SpeedHeat™	15,000 BTU SpeedHeat™	15,000 BTU SpeedHeat™
Left rear burner	9,500 BTU	9,500 BTU	9,500 BTU	9,500 BTU
Right front burner	15,000 BTU SpeedHeat™	15,000 BTU SpeedHeat™	15,000 BTU SpeedHeat™	15,000 BTU SpeedHeat™
Right rear burner	5,000 BTU AccuSimmer®	5,000 BTU AccuSimmer®	5,000 BTU AccuSimmer®	5,000 BTU AccuSimmer®
Center oval burner		8,000 BTU		
Upswept SpillGuard™ cooktop	•	•	•	
SPECIAL FEATURES/CERTIFICATIONS				
Broiler drawer	•	•		
Star-K certified			•	•
Storage drawer			•	•
COLORS				
Available colors	W / B / S	W / B / S	W / B / S	S
DIMENSIONS				
Max height (A)	46 1/4"	46 1/4"	47 1/8"	47 1/8"
Width (B)	29 3/4"	29 3/4"	29 3/4"	29 3/4"
Depth including handles (C)	27 1/4"	27 1/4"	27 3/4"	27 3/4"
Depth with door open (D)	45 1/4"	45 1/4"	46 1/16"	46 1/16"

Dimensions are shown for planning purposes only. For complete information, see Installation Instructions packed with product.

Gold type indicates a step-up feature

MODEL	30-Inch WFG525SOH	30-Inch WFG550SOH	30-Inch WFG775HOH	30-Inch WFG975HOH
Capacity (cu. ft.)	5.0	5.0	5.8	5.8
Recommended microwave hood combination	WMH32519H	WMH53521H	WMH75021H	WMH78019H WMH9019H
Smart appliance with the Whirlpool® app				•
SMART APPLIANCE FEATURES				
Enhanced troubleshooting & guided service				•
Multi-Step Cooking				•
Party mode				•
Scan-to-Cook technology*				•
Voice control with a compatible voice-enabled device*				•
Yummly® Guided Cooking*				•
OVEN FEATURES				
Adjustable racks	2	2	3	3
Broil element	10,000 BTU	10,000 BTU	11,000 BTU	11,000 BTU
Cleaning system	Adjustable self-cleaning technology	Adjustable self-cleaning technology	AquaLift® self-cleaning technology	AquaLift® self-cleaning technology
Control Lock	•	•	•	•
Frozen Bake™ technology	•	•	•	•
Keep Warm setting	•	•	•	•
Max capacity rack			•	•
Rack positions	5	5	7	7
Rapid Preheat				•
Sabbath mode	•	•		•
Temperature sensor	•	•		•
Convection cooking		Fan	Fan	True with Convection Conversion
COOKTOP FEATURES				
Cast-iron grates	Edge-to-edge	Edge-to-edge	EZ-2-Lift™ hinged	EZ-2-Lift™ hinged
Griddle (included)			•	•
Left front burner	15,000 BTU SpeedHeat™	15,000 BTU SpeedHeat™	18,000 BTU SpeedHeat™	18,000 BTU SpeedHeat™
Left rear burner	9,500 BTU	9,500 BTU	9,500 BTU	9,500 BTU
Right front burner	15,000 BTU SpeedHeat™	15,000 BTU SpeedHeat™	15,000 BTU SpeedHeat™	15,000 BTU SpeedHeat™
Right rear burner	5,000 BTU AccuSimmer®	5,000 BTU AccuSimmer®	5,000 BTU AccuSimmer®	5,000 BTU AccuSimmer®
Center burner		8,000 BTU	8,000 BTU	8,000 BTU
Upswept SpillGuard™ cooktop	•	•		
SPECIAL FEATURES/CERTIFICATIONS				
Star-K certified	•	•		•
Storage drawer	•	•	•	•
COLORS				
Available colors	W / B / T / S / Z / V	W / B / Z / V	W / B / Z / V	Z / V
DIMENSIONS				
Max height (A)	47 1/8"	47 1/8"	46 1/2"	46 1/2"
Width (B)	29 3/4"	29 3/4"	29 3/4"	29 3/4"
Depth including handles (C)	27 3/4"	27 3/4"	27 3/4"	27 3/4"
Depth with door open (D)	46 1/16"	46 1/16"	48"	48"

Dimensions are shown for planning purposes only. For complete information, see Installation Instructions packed with product.
*U.S. only.

MODEL	30-Inch WGE745COF
Oven capacity (cu. ft.)	2.5 upper 4.2 lower
Total capacity (cu. ft.)	6.7
Fuel type	Electric
Recommended microwave hood combination	WMH31017H WMH53521H
DESIGN FEATURES	
Electronic oven controls	•
Element type	Radiant
UPPER & LOWER OVEN FEATURES	
Broil element	3,600W
Cleaning system	Adjustable self
Control Lock	•
Keep Warm setting	•
Temperature sensor	•
UPPER OVEN FEATURES	
Adjustable rack	1
Frozen Bake™ technology	•
Rack positions	2
LOWER OVEN FEATURES	
Adjustable racks	2
Rack positions	5
Rapid Preheat	•
Sabbath mode	•
Steam Clean option	•
True convection cooking	with Convection Conversion
COOKTOP FEATURES	
Easy-wipe ceramic glass cooktop	•
Left front element	12"/9"/6" 3,000W FlexHeat™ triple
Left rear element	6" 300W/1,300W
Right front element	9"/6" 3,000W FlexHeat™ dual
Right rear element	6" 1,200W
Center element	6" 100W Warm Zone
SPECIAL FEATURES/CERTIFICATIONS	
Star-K certified	•
COLORS	
Available colors	S / H / E
DIMENSIONS	
Max height (A)	47½"
Width (B)	29⅞"
Depth including handles (C)	28½"
Depth with door open (D)	46"

Dimensions are shown for planning purposes only. For complete information, see Installation Instructions packed with product.

MODEL	30-Inch WGG745SOF
Oven capacity (cu. ft.)	2.1 upper 3.9 lower
Total capacity (cu. ft.)	6.0
Fuel type	Gas
Recommended microwave hood combination	WMH31017H WMH53521H
DESIGN FEATURES	
Electronic oven controls	•
UPPER & LOWER OVEN FEATURES	
Broil element	10,000 BTU
Cleaning system	Adjustable self
Control Lock	•
Keep Warm setting	•
Temperature sensor	•
UPPER OVEN FEATURES	
Adjustable rack	1
Frozen Bake™ technology	•
Rack positions	2
LOWER OVEN FEATURES	
Adjustable racks	2
Rack positions	5
Rapid Preheat	•
Sabbath mode	•
True convection cooking	with Convection Conversion
COOKTOP FEATURES	
EZ-2-Lift™ hinged cast-iron grates	•
Left front burner	16,000 BTU SpeedHeat™
Left rear burner	5,000 BTU AccuSimmer®
Right front burner	10,000 BTU
Right rear burner	5,000 BTU AccuSimmer®
Center oval burner	7,350 BTU
SPECIAL FEATURES/CERTIFICATIONS	
Star-K certified	•
COLORS	
Available color	S / H / E
DIMENSIONS	
Max height (A)	47½"
Width (B)	29⅞"
Depth including handles (C)	28½"
Depth with door open (D)	46"

Dimensions are shown for planning purposes only. For complete information, see Installation Instructions packed with product.

MODEL	24-Inch WFE500M4H
Capacity (cu. ft.)	3.0
Recommended microwave hood combination	UMH50008H
DESIGN FEATURES	
Element type	Radiant
Small space solution	•
OVEN FEATURES	
Adjustable racks	2
Broil element	2,800W
Cleaning system	Manual
Rack positions	4
Sabbath mode	•
COOKTOP FEATURES	
Hot oven indicator light	•
Hot surface indicator light	•
Left front element	8" 2,000W
Left rear element	6" 1,200W
Right front element	6" 1,200W
Right rear element	8" 2,000W
Upswept SpillGuard™ cooktop	•
SPECIAL FEATURES/CERTIFICATIONS	
ADA compliant	•
Storage drawer	•
COLORS	
Available color	S
DIMENSIONS	
Max height (A)	36½"
Width (B)	24"
Depth including handles (C)	28"
Depth with door open (D)	42½"

Dimensions are shown for planning purposes only. For complete information, see Installation Instructions packed with product.

MODEL	24-Inch WFG500M4H
Capacity (cu. ft.)	3.0
Recommended microwave hood combination	UMH50008H
DESIGN FEATURES	
Small space solution	•
OVEN FEATURES	
Adjustable racks	2
Broil element	10,000 BTU
Cleaning system	Manual
Rack positions	4
Sabbath mode	•
COOKTOP FEATURES	
Dishwasher-safe cast-iron grates	•
Left front burner	6,000 BTU AccuSimmer®
Left rear burner	15,000 BTU high-powered
Right front burner	12,000 BTU
Right rear burner	9,100 BTU
SPECIAL FEATURES/CERTIFICATIONS	
ADA compliant	•
Broiler drawer	•
COLORS	
Available color	S
DIMENSIONS	
Max height (A)	36½"
Width (B)	24"
Depth including handles (C)	28"
Depth with door open (D)	42½"

Dimensions are shown for planning purposes only. For complete information, see Installation Instructions packed with product.



MODEL(S) SHOWN WOD77EC0HS, WVV75UC6DS, WCG97US6DS



A SMARTER WAY TO COOK

Easily read your wall oven display with a proximity sensor that adjusts display text size based on your distance, send cooking instructions to the oven from your smartphone* using Scan-to-Cook technology** and get instant access to the settings you use most with a touchscreen.



MAKES MEAL PREP EASIER

Yummly® Guided Cooking™ helps you answer “what’s for dinner?” before it’s even asked, with recipes, tutorials and prompts in the app that send cooking instructions straight to your smart appliance at the right times.†



CONTROL YOUR OVEN WITH SIMPLE VOICE COMMANDS*

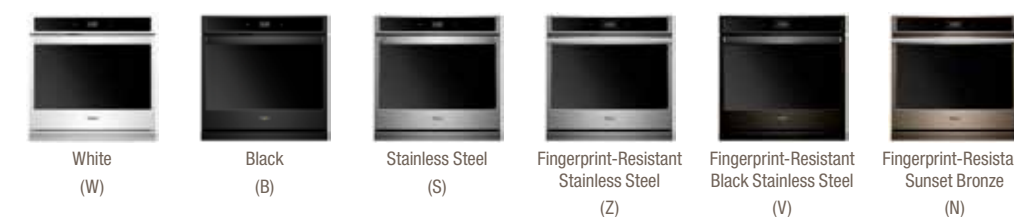
Voice control with a compatible voice-enabled device** lets you control your kitchen no matter what you’ve got on your hands using the Google Assistant or an Alexa-enabled device.



COOK FOODS FASTER††

True convection cooking uses a third cooking element and a fan to distribute hot air evenly over, under and around food so dinner is ready when they are. Plus, Convection Conversion automatically converts traditional recipes for convection cooking, adjusting times and temperatures.

AVAILABLE COLORS



NOTE: Not all features available on all models. Screen images simulated.

*Not all frozen foods included. Appliance must be set to remote enable. WiFi & App Required. Features subject to change. Details and privacy info at whirlpool.com/connect.

**U.S. only. †Select recipes only. Compatible smart appliance required. Appliance must be set to remote enable. Features subject to change. Details and privacy info at whirlpool.com/connect and yummly.com. ††Compared to a traditional thermal-bake cycle on the same model.



WOS51EC7H
4.3 cu. ft. Smart Wall Oven



- Smart appliance with the Whirlpool® app
- Color touchscreen
- Voice control with a compatible voice-enabled device*

- Frozen Bake™ technology
- Multi-Step Cooking



WOS51EC0H
5.0 cu. ft. Smart Wall Oven

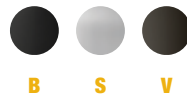


- Smart appliance with the Whirlpool® app
- Color touchscreen
- Voice control with a compatible voice-enabled device*

- Frozen Bake™ technology
- Multi-Step Cooking



WOS72EC7H
4.3 cu. ft. Smart Wall Oven



- Smart appliance with the Whirlpool® app
- Color touchscreen
- Voice control with a compatible voice-enabled device*
- Frozen Bake™ technology
- Multi-Step Cooking

- + Scan-to-Cook technology*
- + Yummly® Guided Cooking*
- + True convection cooking with Convection Conversion
- + Self-close door



WOS72EC0H
5.0 cu. ft. Smart Wall Oven



- Smart appliance with the Whirlpool® app
- Color touchscreen
- Voice control with a compatible voice-enabled device*
- Frozen Bake™ technology
- Multi-Step Cooking
- Scan-to-Cook technology*

- Yummly® Guided Cooking*
- True convection cooking with Convection Conversion
- Self-close door



WOS97EC0H
5.0 cu. ft. Smart Wall Oven



- Smart appliance with the Whirlpool® app
- Color touchscreen
- Voice control with a compatible voice-enabled device*
- Frozen Bake™ technology
- Multi-Step Cooking
- Scan-to-Cook technology*

- Yummly® Guided Cooking*
- True convection cooking with Convection Conversion
- Self-close door
- + Digital meat thermometer
- + Proximity sensor



WOSA2EC0H
5.0 cu. ft. Smart Wall Oven



- Smart appliance with the Whirlpool® app
- Color touchscreen
- Voice control with a compatible voice-enabled device*
- Frozen Bake™ technology
- Multi-Step Cooking
- Scan-to-Cook technology*

- Yummly® Guided Cooking*
- True convection cooking with Convection Conversion
- Self-close door
- Digital meat thermometer
- Proximity sensor



+ Indicates a step-up feature.
*U.S. only.

+ Indicates a step-up feature.
*U.S. only.



WOD51EC7H

8.6 total cu. ft. Smart Wall Oven



- Smart appliance with the Whirlpool® app
- Color touchscreen
- Voice control with a compatible voice-enabled device*

- Frozen Bake™ technology
- Multi-Step Cooking



WOD51EC0H

10.0 total cu. ft. Smart Wall Oven



- Smart appliance with the Whirlpool® app
- Color touchscreen
- Voice control with a compatible voice-enabled device*

- Frozen Bake™ technology
- Multi-Step Cooking



WOD77EC7H

8.6 total cu. ft. Smart Wall Oven



- Smart appliance with the Whirlpool® app
- Color touchscreen
- Voice control with a compatible voice-enabled device*
- Frozen Bake™ technology
- Multi-Step Cooking

- + Scan-to-Cook technology*
- + Yummly® Guided Cooking*
- + True convection cooking with Convection Conversion
- + Self-close doors



+ Indicates a step-up feature.
*U.S. only.



WOD77EC0H

10.0 total cu. ft. Smart Wall Oven



- Smart appliance with the Whirlpool® app
- Color touchscreen
- Voice control with a compatible voice-enabled device*
- Frozen Bake™ technology
- Multi-Step Cooking

- Scan-to-Cook technology*
- Yummly® Guided Cooking*
- True convection cooking with Convection Conversion
- Self-close doors



WOD97EC0H

10.0 total cu. ft. Smart Wall Oven



- Smart appliance with the Whirlpool® app
- Color touchscreen
- Voice control with a compatible voice-enabled device*
- Frozen Bake™ technology
- Multi-Step Cooking
- Scan-to-Cook technology*

- Yummly® Guided Cooking*
- True convection cooking with Convection Conversion
- Self-close doors
- + Digital meat thermometer
- + Proximity sensor



WODA7EC0H

10.0 total cu. ft. Smart Wall Oven



- Smart appliance with the Whirlpool® app
- Color touchscreen
- Voice control with a compatible voice-enabled device*
- Frozen Bake™ technology
- Multi-Step Cooking
- Scan-to-Cook technology*

- Yummly® Guided Cooking*
- True convection cooking with Convection Conversion
- Self-close doors
- Digital meat thermometer
- Proximity sensor



+ Indicates a step-up feature.
*U.S. only.



WOC54EC7H

5.7 total cu. ft. Smart Wall Oven



- Smart appliance with the Whirlpool® app
- Color touchscreen
- Voice control with a compatible voice-enabled device*
- Frozen Bake™ technology
- Multi-Step Cooking
- Microwave with drop-down door



WOC54EC0H

6.4 total cu. ft. Smart Wall Oven



- Smart appliance with the Whirlpool® app
- Color touchscreen
- Voice control with a compatible voice-enabled device*
- Frozen Bake™ technology
- Multi-Step Cooking
- Microwave with drop-down door



WOC75EC7H

5.7 total cu. ft. Smart Wall Oven



- Smart appliance with the Whirlpool® app
- Color touchscreen
- Voice control with a compatible voice-enabled device*
- Frozen Bake™ technology
- Multi-Step Cooking
- Microwave with drop-down door
- + Scan-to-Cook technology*
- + Yummly® Guided Cooking*
- + True convection cooking with Convection Conversion (oven)



WOC75EC0H

6.4 total cu. ft. Smart Wall Oven



- Smart appliance with the Whirlpool® app
- Color touchscreen
- Voice control with a compatible voice-enabled device*
- Frozen Bake™ technology
- Multi-Step Cooking
- Scan-to-Cook technology*
- Yummly® Guided Cooking*
- Microwave with drop-down door
- True convection cooking with Convection Conversion (oven)



WOC97EC0H

6.4 total cu. ft. Smart Wall Oven



- Smart appliance with the Whirlpool® app
- Color touchscreen
- Voice control with a compatible voice-enabled device*
- Frozen Bake™ technology
- Multi-Step Cooking
- Scan-to-Cook technology*
- Yummly® Guided Cooking*
- Microwave with drop-down door
- True convection cooking with Convection Conversion (oven)
- + Digital meat thermometer
- + Proximity sensor



WOCA7EC0H

6.4 total cu. ft. Smart Wall Oven



- Smart appliance with the Whirlpool® app
- Color touchscreen
- Voice control with a compatible voice-enabled device*
- Frozen Bake™ technology
- Multi-Step Cooking
- Scan-to-Cook technology*
- Yummly® Guided Cooking*
- Microwave with drop-down door
- True convection cooking with Convection Conversion (oven)
- Digital meat thermometer
- Proximity sensor



+ Indicates a step-up feature.
*U.S. only.

+ Indicates a step-up feature.
*U.S. only.

Gold type indicates a step-up feature

MODEL	27-Inch WOS51EC7H	30-Inch WOS51EC0H	27-Inch WOS72EC7H	30-Inch WOS72EC0H	30-Inch WOS97EC0H	30-Inch WOSA2EC0H
Capacity (cu. ft.)	4.3	5.0	4.3	5.0	5.0	5.0
Approved for under-the-counter installation*	•	•	•	•	•	•
Smart appliance with the Whirlpool® app	•	•	•	•	•	•
SMART APPLIANCE FEATURES						
Enhanced troubleshooting & guided service	•	•	•	•	•	•
Multi-Step Cooking	•	•	•	•	•	•
Party mode	•	•	•	•	•	•
Scan-to-Cook technology™			•	•	•	•
Voice control with a compatible voice-enabled device™	•	•	•	•	•	•
Yummly® Guided Cooking™			•	•	•	•
DESIGN FEATURES						
Color touchscreen	•	•	•	•	•	•
FIT system	•	•	•	•	•	•
Flush installation					•	•
Proximity sensor					•	•
Self-close door			•	•	•	•
OVEN FEATURES						
Adjustable racks/rack positions	2/6	2/6	3/6	3/6	3/6	3/6
Cleaning system	Self	Self	Self	Self	Self	Self
Closed door broiling	•	•	•	•	•	•
Control Lock	•	•	•	•	•	•
Digital meat thermometer					•	•
Frozen Bake™ technology	•	•	•	•	•	•
Keep Warm setting	•	•	•	•	•	•
Panoramic halogen lighting					•	•
Rapid Preheat	•	•	•	•	•	•
Sabbath mode	•	•	•	•	•	•
Smooth glide roll-out racks					•	•
Temperature sensor	•	•	•	•	•	•
True convection cooking			with Convection Conversion	with Convection Conversion	with Convection Conversion	with Convection Conversion
SPECIAL FEATURES/CERTIFICATIONS						
ADA compliant	•	•	•	•	•	•
Star-K certified	•	•	•	•	•	•
COLORS						
Available colors	W / B / S	W / B / S	B / S / V	W / B / S / V	Z	Z / N
DIMENSIONS						
Max height (A)	28¾"	28¾"	28¾"	28¾"	28¾"	28¾"
Width (B)	27"	30"	27"	30"	30"	30"
Depth including handles (C)	26⅝"	26⅝"	26⅝"	26⅝"	26⅝"	26⅝"
Depth with door open (D)	46¾"	46¾"	46¾"	46¾"	46¾"	46¾"

Dimensions are shown for planning purposes only. For complete information, see Installation Instructions packed with product.

*Approved electric and gas cooktops compatible with single wall oven under-the-counter installation: RCS2012R, WCC31430A, WCE55US4H, WCE55US0H, WCE77US0H, WCE97US0H, W5CE3625A, WCE55US6H, WCE77US6H, WCE97US6H, WCG52424A, W3CG3014X, WCG55US0H, WCG77US0H, WCG97US0H, WCG55US6H and WCG97US6H. †U.S. only.

Gold type indicates a step-up feature

MODEL	27-Inch WOD51EC7H	30-Inch WOD51EC0H	27-Inch WOD77EC7H	30-Inch WOD77EC0H	30-Inch WOD97EC0H	30-Inch WODA7EC0H
Oven capacity (cu. ft.)	4.3 upper 4.3 lower	5.0 upper 5.0 lower	4.3 upper 4.3 lower	5.0 upper 5.0 lower	5.0 upper 5.0 lower	5.0 upper 5.0 lower
Total capacity (cu. ft.)	8.6	10.0	8.6	10.0	10.0	10.0
Smart appliance with the Whirlpool® app	•	•	•	•	•	•
SMART APPLIANCE FEATURES						
Enhanced troubleshooting & guided service	•	•	•	•	•	•
Multi-Step Cooking	•	•	•	•	•	•
Party mode	•	•	•	•	•	•
Scan-to-Cook technology™			•	•	•	•
Voice control with a compatible voice-enabled device™	•	•	•	•	•	•
Yummly® Guided Cooking™			•	•	•	•
DESIGN FEATURES						
Color touchscreen	•	•	•	•	•	•
FIT system	•	•	•	•	•	•
Flush installation	•	•	•	•	•	•
Proximity sensor					•	•
Self-close doors			•	•	•	•
OVEN FEATURES						
Adjustable racks/rack positions	2/3 upper 2/3 lower	2/3 upper 2/3 lower	3/3 upper 2/3 lower	3/3 upper 2/3 lower	3/3 upper 3/3 lower	3/3 upper 3/3 lower
Cleaning system	Self	Self	Self	Self	Self	Self
Closed door broiling	•	•	•	•	•	•
Control Lock	•	•	•	•	•	•
Digital meat thermometer					•	•
Frozen Bake™ technology	•	•	•	•	•	•
Keep Warm setting	•	•	•	•	•	•
Panoramic halogen lighting					•	•
Rapid Preheat	•	•	•	•	•	•
Sabbath mode	•	•	•	•	•	•
Smooth glide roll-out racks					•	•
Temperature sensor	•	•	•	•	•	•
True convection cooking			with Convection Conversion	with Convection Conversion	with Convection Conversion	with Convection Conversion
SPECIAL FEATURES/CERTIFICATIONS						
Star-K certified	•	•	•	•	•	•
COLORS						
Available colors	W / B / S	W / B / S	B / S / V	W / B / S / V	Z	Z / N
DIMENSIONS						
Max height (A)	51½"	51½"	51½"	51½"	51½"	51½"
Width (B)	27"	30"	27"	30"	30"	30"
Depth including handles (C)	26⅝"	26⅝"	26⅝"	26⅝"	26⅝"	26⅝"
Depth with doors open (D)	42¾"	42¾"	42¾"	42¾"	42¾"	42¾"

Dimensions are shown for planning purposes only. For complete information, see Installation Instructions packed with product.

†U.S. only.

Gold type indicates a step-up feature

MODEL	27-Inch WOC54EC7H	30-Inch WOC54ECO H	27-Inch WOC75EC7H	30-Inch WOC75ECO H	30-Inch WOC97ECO H	30-Inch WOC A7ECO H
Capacity (cu. ft.)	1.4 upper (microwave) 4.3 lower	1.4 upper (microwave) 5.0 lower	1.4 upper (microwave) 4.3 lower	1.4 upper (microwave) 5.0 lower	1.4 upper (microwave) 5.0 lower	1.4 upper (microwave) 5.0 lower
Smart appliance with the Whirlpool® app	•	•	•	•	•	•
SMART APPLIANCE FEATURES						
Enhanced troubleshooting & guided service	•	•	•	•	•	•
Multi-Step Cooking	•	•	•	•	•	•
Party mode	•	•	•	•	•	•
Scan-to-Cook technology*			•	•	•	•
Voice control with a compatible voice-enabled device*	•	•	•	•	•	•
Yummy® Guided Cooking*			•	•	•	•
DESIGN FEATURES						
Color touchscreen	•	•	•	•	•	•
Flush installation					•	•
Proximity sensor					•	•
Self-close doors			•	•	•	•
MICROWAVE OVEN FEATURES						
Convection power (watts)			1,600	1,600	1,600	1,600
Grill power (watts)					1,600	1,600
Microwave accessories					•	•
Microwave power (watts)	900	900	900	900	900	900
Microwave with drop-down door	•	•	•	•	•	•
Steam cooking	•	•	•	•	•	•
True convection microwave cooking			•	•	•	•
OVEN FEATURES						
Adjustable racks/rack positions	2/6	2/6	3/6	3/6	3/6	3/6
Cleaning system	Self	Self	Self	Self	Self	Self
Closed door broiling	•	•	•	•	•	•
Control Lock	•	•	•	•	•	•
Digital meat thermometer					•	•
Frozen Bake™ technology	•	•	•	•	•	•
Keep Warm setting	•	•	•	•	•	•
Panoramic halogen lighting					•	•
Rapid Preheat	•	•	•	•	•	•
Sabbath mode	•	•	•	•	•	•
Smooth glide roll-out racks					•	•
Temperature sensor	•	•	•	•	•	•
True convection cooking			with Convection Conversion	with Convection Conversion	with Convection Conversion	with Convection Conversion
SPECIAL FEATURES/CERTIFICATIONS						
Star-K certified	•	•	•	•	•	•
COLORS						
Available colors	W / B / S	W / B / S	S / V	B / S / V	Z	Z / N
DIMENSIONS						
Max height (A)	42 ¹ / ₈ "	42 ¹ / ₈ "	42 ¹ / ₈ "	42 ¹ / ₈ "	42 ¹ / ₈ "	42 ¹ / ₈ "
Width (B)	27"	30"	27"	30"	30"	30"
Depth including handles (C)	26 ¹ / ₂ "	26 ¹ / ₂ "	26 ¹ / ₂ "	26 ¹ / ₂ "	26 ¹ / ₂ "	26 ¹ / ₂ "
Depth with door open (D)	46 ¹ / ₄ "	46 ¹ / ₄ "	46 ¹ / ₄ "	46 ¹ / ₄ "	46 ¹ / ₄ "	46 ¹ / ₄ "

Dimensions are shown for planning purposes only. For complete information, see Installation Instructions packed with product.

*U.S. only.



MODEL(S) SHOWN GCI3061XB, VVV51UC6HV



QUICK ACCESS TO SPILLS

Our industry-first EZ-2-Lift™ hinged cast-iron grates make cleaning simple with a hinged design that lets you wipe up the cooktop without removing the grates. And for a more thorough clean, the grates are also dishwasher safe.



FLEXIBLE, CONSISTENT COOKING

On select electric models, the FlexHeat™ dual and triple radiant elements provide multiple elements in one to fit small and large cookware. The FlexHeat™ burners on select gas models give you evenly distributed heat at both high and low temperatures with two rows of flames.



MAKES COOKTOP CLEANING EASY

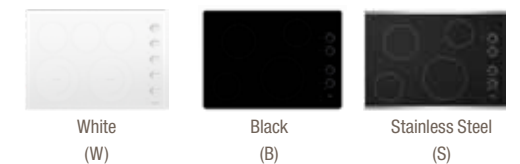
Cut down on messes with the easy-wipe ceramic glass cooktop available on select electric models.



CLEAN UP FASTER

The raised edges of the upswept SpillGuard™ cooktop, available on select gas models, help contain spills.

AVAILABLE COLORS



NOTE: Not all features available on all models.



RCS2012R

21" Cooktop



- Chrome drip bowls
- Porcelain-coated steel cooktop

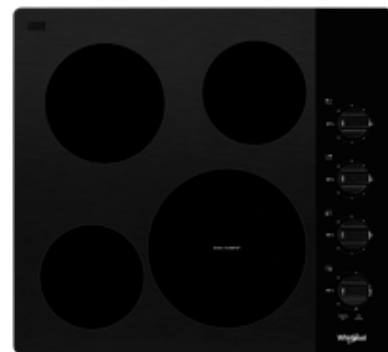


WCC31430A

30" Cooktop



- Chrome drip bowls
- + Stainless steel cooktop



WCE55US4H

24" Cooktop



- Small space solution
- + 10"/6" 2,500W/1,200W FlexHeat™ dual radiant element
- + Easy-wipe ceramic glass cooktop



WCE55US0H

30" Cooktop



- 10"/6" 2,500W/1,800W FlexHeat™ dual radiant element
- Easy-wipe ceramic glass cooktop
- + Stainless steel finish knobs*

+ Indicates a step-up feature.
*Stainless steel model only.



GCI3061X

30" Cooktop

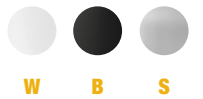


- Easy-wipe ceramic glass cooktop
- + Tap Touch controls
- + Induction cooking technology
- + Boost function
- + Timer



WCE77US0H

30" Cooktop



- Easy-wipe ceramic glass cooktop
- + (2) 10"/6" 3,000W/1,900W FlexHeat™ dual radiant elements
- + 6" 100W Warm Zone center element



WCE97US0H

30" Cooktop



- Easy-wipe ceramic glass cooktop
- 10"/6" 3,000W/1,900W FlexHeat™ dual radiant element
- 6" 100W Warm Zone center element
- + Tap Touch controls
- + Remote connectivity**
- + Timer

+ Indicates a step-up feature.

**Elements cannot be turned off remotely from the app. WiFi & App Required. Features subject to change. Details and privacy info at whirlpool.com/connect.



WCE55US6H

36" Cooktop

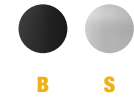


- Easy-wipe ceramic glass cooktop
- 10" / 6" 3,000W / 1,900W FlexHeat™ dual radiant element
- 6" 100W Warm Zone center element



WCE77US6H

36" Cooktop



- Easy-wipe ceramic glass cooktop
- 6" 100W Warm Zone center element
- 10" / 6" 3,000W / 1,900W FlexHeat™ dual radiant element
- + 12" / 9" 3,000W / 1,900W FlexHeat™ dual radiant element



WCE97US6H

36" Cooktop



- Easy-wipe ceramic glass cooktop
- 6" 100W Warm Zone element
- 10" / 6" 3,000W / 1,900W FlexHeat™ dual radiant element
- + 12" / 9" / 6" 3,000W / 2,200W / 1,100W FlexHeat™ triple radiant element
- + Tap Touch controls
- + Remote connectivity*
- + Timer

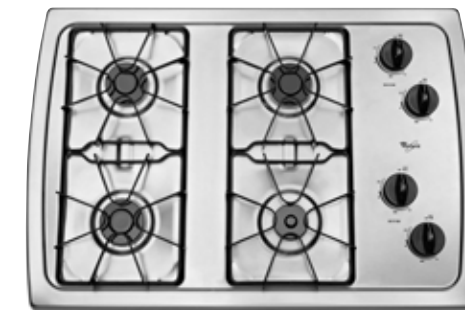


WCG52424A

24" Cooktop

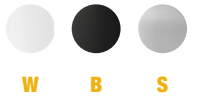


- Small space solution
- Sealed burners
- 3,600 BTU AccuSimmer® burner
- 11,000 BTU high-powered burner
- Dishwasher-safe cast-iron grates
- Upswept SpillGuard™ cooktop



W3CG3014X

30" Cooktop

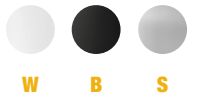


- Sealed burners
- + 5,000 BTU AccuSimmer® burner



WCG55US0H

30" Cooktop



- Sealed burners
- 5,000 BTU AccuSimmer® burner
- + EZ-2-Lift™ hinged cast-iron grates
- + Upswept SpillGuard™ cooktop
- + 15,000 BTU SpeedHeat™ burner



WCG77US0H

30" Cooktop



- Sealed burners
- 5,000 BTU AccuSimmer® burner
- EZ-2-Lift™ hinged cast-iron grates
- Upswept SpillGuard™ cooktop
- 15,000 BTU SpeedHeat™ burner
- + Fifth burner

+ Indicates a step-up feature.

*Elements cannot be turned off remotely from the app. WiFi & App Required. Features subject to change. Details and privacy info at whirlpool.com/connect.

+ Indicates a step-up feature.

Gold type indicates a step-up feature

MODEL	21-Inch RCS2012R	30-Inch WCC31430A	24-Inch WCE55US4H	30-Inch WCE55US0H	30-Inch GCI3061X	30-Inch WCE77US0H	30-Inch WCE97US0H
Approved for installation above a single wall oven*	•	•	•	•		•	•
DESIGN FEATURES							
Element type	Coil	Coil	Radiant	Radiant	Induction	Radiant	Radiant
Small space solution			•				
COOKTOP FEATURES							
Boost function					•		
Chrome drip bowls	•	•					
Controls	Knobs	Knobs	Knobs	Stainless steel finish knobs**	Tap Touch	Stainless steel finish knobs**	Tap Touch
Control Lock mode							•
Cooktop	Porcelain-coated steel	Stainless steel	Easy-wipe ceramic glass	Easy-wipe ceramic glass	Easy-wipe ceramic glass	Easy-wipe ceramic glass	Easy-wipe ceramic glass
Hot surface indicator light			•	•	•	•	•
Induction cooking technology					•		
Infinite heat controls	•	•	•	•		•	
Left front element	6" 1,250W/900W	6" 1,500W	6" 1,200W	6" 1,200W	6" 1,400W	10"/6" 3,000W/1,900W FlexHeat™ dual	10"/6" 3,000W/1,900W FlexHeat™ dual
Left rear element		8" 2,350W	8" 1,800W	8" 1,800W	10" 3,200W/2,300W Boost	6" 1,200W	8" 1,800W
Right front element	8" 2,100W	8" 2,350W	10"/6" 2,500W/1,200W FlexHeat™ dual	10"/6" 2,500W/1,800W FlexHeat™ dual	6" 1,400W	10"/6" 3,000W/1,900W FlexHeat™ dual	6" 1,400W
Right rear element		6" 1,500W	6" 1,200W	6" 1,200W	8" 2,300W	6" 1,200W	8" 2,300W
Center element						6" 100W Warm Zone	6" 100W Warm Zone
"On" indicator light	•	•	•	•	•	•	•
Remote connectivity†							•
Simmer function					•		
Timer					•		•
Volts/circuit amps or VAC required	240/20	240/40	240/30 or 40	240/30 or 40	240/40	240/40	240/30 or 40
COLORS							
Available colors	S	W / B	B	W / B / S	B	W / B / S	B / S
DIMENSIONS							
Max height (A)	2 ⁷ / ₈ "	3 ¹ / ₄ "	5"	5 ¹ / ₄ "	2 ³ / ₈ "	5 ¹ / ₄ "	5 ¹ / ₄ "
Width (B)	21"	30"	21 ³ / ₁₆ "	30 ³ / ₁₆ "	30 ³ / ₁₆ "	30 ³ / ₁₆ "	30 ³ / ₁₆ "
Depth (C)	16 ¹ / ₂ "	21"	21 ³ / ₄ "	21 ³ / ₄ "	21 ³ / ₈ "	21 ³ / ₄ "	22 ³ / ₁₆ "

Dimensions are shown for planning purposes only. For complete information, see Installation Instructions packed with product.
 *Compatible single wall ovens: WOS51EC7H, WOS51EC0H, WOS72EC7H, WOS72EC0H, WOS97EC0H and WOSA2EC0H. **Stainless Steel model only.
 †Elements cannot be turned off remotely from the app. WiFi & App Required. Features subject to change. Details and privacy info at whirlpool.com/connect.

Gold type indicates a step-up feature

MODEL	36-Inch WCE55US6H	36-Inch WCE77US6H	36-Inch WCE97US6H
Approved for installation above a single wall oven*	•	•	•
DESIGN FEATURE			
Element type	Radiant	Radiant	Radiant
COOKTOP FEATURES			
Controls	Knobs	Stainless steel finish knobs**	Tap Touch
Control Lock mode			•
Cooktop	Easy-wipe ceramic glass	Easy-wipe ceramic glass	Easy-wipe ceramic glass
Hot surface indicator light	•	•	•
Infinite heat controls	•	•	
Left front element	6" 1,200W	6" 1,200W	10"/6" 3,000W/1,900W FlexHeat™ dual
Left rear element	10" 2,500W	10"/6" 3,000W/1,900W FlexHeat™ dual	6" 1,200W
Right front element	10"/6" 3,000W/1,900W FlexHeat™ dual	6" 1,200W	8" 1,800W
Right rear element	6" 1,200W	12"/9" 3,000W/1,900W FlexHeat™ dual	6" 100W Warm Zone
Center element	6" 100W Warm Zone	6" 100W Warm Zone	12"/9" 3,000W/2,200W/1,100W FlexHeat™ triple
"On" indicator light	•	•	•
Remote connectivity†			•
Timer			•
Volts/circuit amps or VAC required	240/30 or 40	240/40	240/30 or 40
COLORS			
Available colors	B	B / S	B / S
DIMENSIONS			
Max height (A)	5 ¹ / ₄ "	5 ¹ / ₄ "	5 ¹ / ₄ "
Width (B)	36 ⁵ / ₁₆ "	36 ⁵ / ₁₆ "	36 ⁵ / ₁₆ "
Depth (C)	21 ¹ / ₄ "	22 ³ / ₁₆ "	22 ³ / ₁₆ "

Dimensions are shown for planning purposes only. For complete information, see Installation Instructions packed with product.
 *Compatible single wall ovens: WOS51EC7H, WOS51EC0H, WOS72EC7H, WOS72EC0H, WOS97EC0H and WOSA2EC0H. **Stainless Steel model only.
 †Elements cannot be turned off remotely from the app. WiFi & App Required. Features subject to change. Details and privacy info at whirlpool.com/connect.

Gold type indicates a step-up feature

MODEL	24-Inch WCG52424A	30-Inch W3CG3014X	30-Inch WCG55US0H	30-Inch WCG77US0H	30-Inch WCG97US0H	36-Inch WCG55US6H	36-Inch WCG97US6H
Approved for installation above a single wall oven*	•	•	•	•	•	•	•
DESIGN FEATURE							
Small space solution	•						
COOKTOP FEATURES							
Controls	Knobs	Knobs	Knobs	Knobs	Knobs	Knobs	Knobs
Cooktop	Upswept SpillGuard™	Porcelain coated steel	Upswept SpillGuard™	Upswept SpillGuard™	Upswept SpillGuard™	Upswept SpillGuard™	Upswept SpillGuard™
Dishwasher-safe grates	Cast-iron	Enamel steel	EZ-2-Lift™ hinged cast-iron	EZ-2-Lift™ hinged cast-iron	EZ-2-Lift™ hinged cast-iron	EZ-2-Lift™ hinged cast-iron	EZ-2-Lift™ hinged cast-iron
Fifth burner				•	•	•	•
Griddle (included)					•		•
Infinite heat controls	•	•	•	•	•	•	•
Left front burner	11,000 BTU high-powered	10,500 BTU	5,000 BTU AccuSimmer®	9,100 BTU AccuSimmer®	10,000 BTU	9,100 BTU	9,100 BTU
Left rear burner	5,600 BTU	9,100 BTU	15,000 BTU SpeedHeat™	9,100 BTU	10,000 BTU	9,100 BTU	9,100 BTU
Right front burner	3,600 BTU AccuSimmer®	5,000 BTU AccuSimmer®	9,100 BTU	10,000 BTU	10,000 BTU	12,000 BTU	12,000 BTU
Right rear burner	5,600 BTU	9,100 BTU	12,000 BTU	5,000 BTU AccuSimmer®	5,000 BTU AccuSimmer®	5,000 BTU AccuSimmer®	5,000 BTU AccuSimmer®
Center burner				15,000 BTU SpeedHeat™	17,000 BTU FlexHeat™	15,000 BTU SpeedHeat™	18,000 BTU FlexHeat™
LP conversion kit (included)	•	•	•	•	•	•	•
Sealed burners	•	•	•	•	•	•	•
Volts/amps required	120/15	120/15	120/15	120/15	120/15	120/15	120/15
COLORS							
Available colors	S	W / B / S	W / B / S	S	S	W / B / S	S
DIMENSIONS							
Max height (A)	1¾"	3¼"	4¼"	4¼"	4¼"	4¼"	4¼"
Width (B)	23¼"	31¼"	30"	30"	30"	36"	36"
Depth (C)	20½"	21¼"	21"	21"	21"	21"	21"

Dimensions are shown for planning purposes only. For complete information, see Installation Instructions packed with product.

*Compatible single wall ovens: WOS51EC7H, WOS51EC0H, WOS72EC7H, WOS72EC0H, WOS97EC0H and WOSA2EC0H.



MODEL(S) SHOWN **WML75011HZ**



MANAGE MEALS BY TOUCH & APP*

The touchscreen provides instant access to the settings you use most, while a proximity sensor adjusts the microwave display text size based on your distance for easy reading. And with Scan-to-Cook technology,** you can send cooking instructions to the microwave from your smartphone.†



KEEPS SPILLS FROM STICKING

Help prevent spills from sticking around thanks to the CleanRelease® non-stick interior, which lets you clean up with the simple wipe of a damp paper towel.



SAVE COOKTOP SPACE

Clear up your cooktop by using steam cooking to prepare foods like rice, vegetables and fish right in the microwave.††



TAKES OUT THE GUESSWORK

Sensor cooking tracks the cooking progress of your food and automatically adjusts cook times for you.

AVAILABLE COLORS



NOTE: Not all features available on all models.

*Appliance must be set to remote enable. WiFi & App Required. Features subject to change. Details and privacy info at whirlpool.com/connect. **U.S. only. †Not all frozen foods included. ††Steam accessory sold separately.



WMH31017H

1.7 cu. ft. Microwave



- Dishwasher-safe turntable plate
- 2-speed, 300 CFM motor class¹
- Microwave presets
- Add 30 Seconds option
- Electronic touch controls



WMH32519H

1.9 cu. ft. Microwave



- Dishwasher-safe turntable plate
- Microwave presets
- Add 30 Seconds option
- Electronic touch controls
- + CleanRelease[®] non-stick interior
- + Sensor cooking
- + Steam cooking
- + 3-speed, 300 CFM motor class¹



WMH53521H

2.1 cu. ft. Microwave



- Dishwasher-safe turntable plate
- Microwave presets
- Add 30 Seconds option
- Electronic touch controls
- CleanRelease[®] non-stick interior
- Steam cooking
- Sensor cooking
- + 4-speed, 400 CFM motor class¹
- + 90° hinge door
- + Auto Adapt fan



WMH54521H

2.1 cu. ft. Microwave



- Dishwasher-safe turntable plate
- Microwave presets
- Add 30 Seconds option
- Electronic touch controls
- CleanRelease[®] non-stick interior
- Steam cooking
- Sensor cooking
- 4-speed, 400 CFM motor class¹
- Auto Adapt fan

+ Indicates a step-up feature.

¹Performance varies based on installation. Resources available at hvi.org.



WMH75021H

2.1 cu. ft. Microwave



- Add 30 Seconds option
- CleanRelease[®] non-stick interior
- Steam cooking
- Sensor cooking
- 4-speed, 400 CFM motor class¹
- Auto Adapt fan
- + Tap Touch controls
- + AccuPop[™] cycle
- + 1-piece door



WMH78019H

1.9 cu. ft. Smart Microwave



- Steam cooking
- Sensor cooking
- 4-speed, 400 CFM motor class¹
- Auto Adapt Fan
- AccuPop[™] cycle
- 1-piece door
- + Smart appliance with the Whirlpool[®] app
- + Scan-to-Cook technology^{**}
- + Voice control with a compatible voice-enabled device^{**}
- + Tap Touch controls with backlit menu
- + True convection cooking



WMHA9019H

1.9 cu. ft. Smart Microwave



- Steam cooking
- Sensor cooking
- 4-speed, 400 CFM motor class¹
- Auto Adapt Fan
- Tap Touch controls
- AccuPop[™] cycle
- 1-piece door
- Smart appliance with the Whirlpool[®] app
- Scan-to-Cook technology^{**}
- Voice control with a compatible voice-enabled device^{**}
- True convection cooking
- + Color touchscreen
- + Proximity sensor



UMH50008H

0.7 cu. ft. Microwave



- Small space solution
- Vent visor
- Panel-ready design
- 3-speed, 300 CFM motor class¹
- Add 30 Seconds option
- Stainless steel interior
- Dishwasher-safe turntable plate

+ Indicates a step-up feature.

¹Performance varies based on installation. Resources available at hvi.org. ^{**}U.S. only.



WML55011H

1.1 cu. ft. Low Profile Microwave



- Dishwasher-safe turntable plate
- Add 30 Seconds option
- + Low profile design
- + 400 CFM motor class* high performance venting
- + Tap-to-open door



WML75011H

1.1 cu. ft. Low Profile Microwave



- Dishwasher-safe turntable plate
- Add 30 Seconds option
- Low profile design
- 400 CFM motor class*
- Tap-to-open door
- + CleanRelease® non-stick interior
- + Sensor cooking
- + LED cooktop lighting



WMC10007A

0.7 cu. ft. Microwave



- Dishwasher-safe glass turntable plate
- 700W cooking power
- Microwave presets
- Electronic touch controls
- Control Lock mode



WMC20005Y

0.5 cu. ft. Microwave



- Dishwasher-safe glass turntable plate
- Microwave presets
- Tap Touch controls
- Control Lock mode
- + 750W cooking power
- + Add 30 Seconds option



WMC30516H

1.6 cu. ft. Microwave



- Microwave presets
- Control Lock mode
- Add 30 Seconds option
- + Sensor cooking
- + Dishwasher-safe recessed glass turntable plate
- + 1,200W cooking power
- + Electronic touch controls



WMC50522H

2.2 cu. ft. Microwave



- Microwave presets
- Control Lock mode
- Add 30 Seconds option
- Sensor cooking
- Dishwasher-safe recessed glass turntable plate
- 1,200W cooking power
- Electronic touch controls

+ Indicates a step-up feature.

*Performance varies based on installation. Resources available at hvi.org.

+ Indicates a step-up feature.

Gold type indicates a step-up feature

MODEL	WMH31017H	WMH32519H	WMH53521H
Capacity (cu. ft.)	1.7	1.9	2.1
Recommended range	WFE510SOH WFG510SOH	WFE525SOH WFG525SOH	WEE745HOF WEG745HOF
DESIGN FEATURES			
Timer display color	Blue	Blue	Blue
MICROWAVE OVEN FEATURES			
10 variable power levels	•	•	•
90° hinge door			•
Add 30 Seconds option	•	•	•
Adjustable cooktop lighting	•	•	•
CleanRelease® non-stick interior		•	•
Control Lock	•	•	•
Cooking rack		•	•
Dishwasher-safe turntable plate	•	•	•
Electronic touch controls	•	•	•
Kosher Consumer Friendly mode			•
Power (watts)	1,000	1,000	1,000
Sensor cooking		•	•
Steam cooking		•	•
Turntable On/Off option		•	•
VENTILATION SYSTEM FEATURES			
Auto Adapt fan			•
Convertible ventilation system	2-speed, 300 CFM motor class*	3-speed, 300 CFM motor class*	4-speed, 400 CFM motor class*
Hidden vent	•	•	•
CYCLES			
Auto Cook, Defrost, Reheat		•	•
Melt/Soften	•	•	•
Microwave presets	•	•	•
Popcorn	•	•	•
Warm Hold		•	•
COLORS			
Available colors	W / B / S / Z	W / B / T / Z / V	W / B / Z / V
DIMENSIONS			
Max height (A)	17 ¹ / ₈ "	17 ¹ / ₈ "	17 ¹ / ₈ "
Width (B)	29 ¹ / ₈ "	29 ¹ / ₈ "	29 ¹ / ₈ "
Depth including handle (C)	15 ¹ / ₈ "	15 ¹ / ₈ "	16"

Dimensions are shown for planning purposes only. For complete information, see Installation Instructions packed with product.

*Performance varies based on installation. Resources available at hvi.org.

Gold type indicates a step-up feature

MODEL	WMH54521H	WMH75021H	WMH78019H	WMHA9019H
Capacity (cu. ft.)	2.1	2.1	1.9	1.9
Recommended range	WEE745HOF WEG745HOF	WFE775SHOH WFG775SHOH	WFE975SHOH WFG975SHOH	WEEA25SHOH WEGA25SHOH
Smart appliance with the Whirlpool® app			•	•
SMART APPLIANCE FEATURES*				
Guided service			•	•
Maintenance alerts			•	•
Multi-Step Cooking			•	•
Proximity sensor				•
Scan-to-Cook technology†			•	•
Voice control with a compatible voice-enabled device†			•	•
DESIGN FEATURES				
1-piece door		•	•	•
Color touchscreen				•
Timer display color	White	Blue	White	White
MICROWAVE OVEN FEATURES				
10 variable power levels	•	•	•	•
Add 30 Seconds option	•	•	•	•
Adjustable cooktop lighting	•	•	•	•
CleanRelease® non-stick interior	•	•	•	•
Controls	Electronic touch	Tap Touch	Tap Touch with backlit menu	Tap Touch
Control Lock	•	•	•	•
Cooking rack	•	•		
Cooking and convection racks			•	•
Dishwasher-safe turntable plate	•	•	•	•
Kosher Consumer Friendly mode	•		•	•
Power (watts)	1,000	1,100	1,100	1,100
Sensor cooking	•	•	•	•
Steam cooking	•	•	•	•
SteamClean option		•	•	
True convection cooking			•	•
Turntable On/Off option	•	•	•	•
Universal microwave steamer (included)			8205262RB	8205262RB
VENTILATION SYSTEM FEATURES				
Auto Adapt fan	•	•	•	•
Convertible ventilation system	4-speed, 400 CFM motor class**	4-speed, 400 CFM motor class**	4-speed, 400 CFM motor class**	4-speed, 400 CFM motor class**
Hidden vent	•	•	•	•
CYCLES				
Auto Cook, Defrost, Reheat	•	•	•	•
Kids Menu		•	•	
Melt/Soften	•	•	•	•
Microwave presets	•	•	•	•
Popcorn	•	AccuPop™	AccuPop™	AccuPop™
Warm Hold	•	•	•	•
COLORS				
Available colors	S	Z / V	W / B / Z / V	Z / V / N
DIMENSIONS				
Max height (A)	17 ¹ / ₈ "	17 ¹ / ₈ "	17 ¹ / ₈ "	17 ¹ / ₈ "
Width (B)	29 ¹ / ₈ "	29 ¹ / ₈ "	29 ¹ / ₈ "	29 ¹ / ₈ "
Depth including handle (C)	16"	16"	16"	16"

Dimensions are shown for planning purposes only. For complete information, see Installation Instructions packed with product.

*U.S. only. **Performance varies based on installation. Resources available at hvi.org.

Gold type indicates a step-up feature

MODEL	UMH50008H	WML55011H	WML75011H
Capacity (cu. ft.)	0.7	1.1	1.1
Recommended range	WFE500M4H WFG500M4H	WFE775H0H WFG775H0H	WEEA25H0H WEGA25H0H
DESIGN FEATURES			
Low profile design		•	•
Panel-ready design	•		
Small space solution	•		
Tap-to-open door		•	•
Timer display color	White	White	White
MICROWAVE OVEN FEATURES			
90° hinge door		•	•
Add 30 Seconds option	•	•	•
CleanRelease® non-stick interior			•
Control Lock	•	•	•
Controls	Push-button	Concealed touch	Concealed touch
Cooktop lighting	Halogen	Halogen	LED
Defrost option	•		
Dishwasher-safe turntable plate	•	•	•
Power (watts)	750	1,000	1,000
Power levels	4	10	10
Sensor cooking			•
Stainless steel interior	•		
Steam cooking			•
Turntable On/Off option		•	•
VENTILATION SYSTEM FEATURES			
Convertible ventilation system	3-speed, 300 CFM motor class*	3-speed, 400 CFM motor class*	4-speed, 400 CFM motor class*
Vent visor	•		
CYCLES			
Auto Cook, Defrost, Reheat			•
Microwave presets		•	•
Popcorn preset		•	•
COLORS			
Available colors	S	W / B / S	W / B / Z / V / N
DIMENSIONS			
Max height (A)	26 ⁵ / ₁₆ "	10 ⁵ / ₁₆ "	10 ⁵ / ₁₆ "
Width (B)	23 ¹ / ₂ "	29 ³ / ₄ "	29 ³ / ₄ "
Depth including handle (C)	14 ¹ / ₄ "	18"	18"

Dimensions are shown for planning purposes only. For complete information, see Installation Instructions packed with product.
*Performance varies based on installation. Resources available at hvi.org.

Gold type indicates a step-up feature

MODEL	WMC10007A	WMC20005Y	WMC30516H	WMC50522H
Capacity (cu. ft.)	0.7	0.5	1.6	2.2
DESIGN FEATURES				
Door release	Push-button	Pocket handle	Push-button	Push-button
Microwave built-in trim kit (optional)			•	•
Timer display color	Green	Blue	White	White
MICROWAVE OVEN FEATURES				
10 variable power levels	•	•	•	•
Add 30 Seconds option		•	•	•
Controls	Electronic touch	Tap Touch	Electronic touch	Electronic touch
Control Lock	•	•	•	•
Dishwasher-safe glass turntable plate	•	•	Recessed	Recessed
Power (watts)	700	750	1,200	1,200
Sensor cooking			•	•
CYCLES				
Auto Cook, Defrost, Reheat			•	•
Microwave presets	•	•	•	•
Popcorn	•	•	•	•
COLORS				
Available colors	W / B	W / B / D	W / B / Z / V	W / B / S / Z / V / N
DIMENSIONS				
Max height (A)	10 ¹ / ₂ "	14 ¹ / ₄ "	13"	12 ³ / ₁₆ "
Width (B)	18"	15 ³ / ₄ "	21 ³ / ₄ "	24"
Depth including handle (C)	13 ³ / ₁₆ "	13 ³ / ₄ "	17 ¹ / ₄ "	19 ⁵ / ₁₆ "

Dimensions are shown for planning purposes only. For complete information, see Installation Instructions packed with product.



MODEL(S) SHOWN WWW57UC0FS, GCI3061XB



AUTOMATIC LIGHTING

When your kitchen lights dim, glass edge LED lighting senses the change in lighting and automatically turns on to act as a night-light.



HELPS REMOVE SMOKE & ODORS

Perimetric Venting technology concentrates hood suction to targeted zones on your cooktop, helping to keep your kitchen air clean.



MORE INSTALLATION OPTIONS

Convertible ventilation allows you to either vent vapors and odors outside or filter them and recirculate the air, depending on your kitchen's setup.



MAKES CLEANUP EASY

Dishwasher-safe grease filters trap unwanted grease and odors and wash easily for re-use.

AVAILABLE COLORS



NOTE: Not all features available on all models.



WVU37UC4F

24" Hood



- FIT system
- Dishwasher-safe, full-width grease filters
- 3-speed, 265 CFM motor class^{*}
- LED task lighting
- Recirculation (non-vented/duct-free)



WVU37UC0F
WVU37UC6F

30"/36" Hood



- FIT system
- Dishwasher-safe, full-width grease filters
- 3-speed, 265 CFM motor class^{*}
- LED task lighting
- Recirculation (non-vented/duct-free)



WVU57UC0F
WVU57UC6F

30"/36" Hood



- FIT system
- Dishwasher-safe, full-width grease filters
- LED task lighting
- Recirculation (non-vented/duct-free)
- + Boost function
- + Tap Touch controls
- + 3-speed, 350 CFM motor class^{*}



WVW51UC0F
WVW51UC6F

30"/36" Hood



- Glass wall-mounted canopy hood
- LED task lighting
- Dishwasher-safe grease filter
- 3-speed, 400 CFM motor class^{*}
- Convertible ventilation (recirculating or vented)



WVW51UC0H
WVW51UC6H

30"/36" Hood



- Glass wall-mounted canopy hood
- LED task lighting
- Dishwasher-safe grease filter
- 3-speed, 400 CFM motor class^{*}
- Convertible ventilation (recirculating or vented)



WVW53UC0F
WVW53UC6F

30"/36" Hood



- LED task lighting
- Dishwasher-safe grease filter
- 3-speed, 400 CFM motor class^{*}
- Convertible ventilation (recirculating or vented)

+ Indicates a step-up feature.

*Performance varies based on installation. Resources available at hvi.org.

*Performance varies based on installation. Resources available at hvi.org.



WVV53UC0H WVV53UC6H

30"/36" Hood

- LED task lighting
- Dishwasher-safe grease filter
- 3-speed, 400 CFM motor class¹
- Convertible ventilation (recirculating or vented)



WVV57UC0F WVV57UC6F

30"/36" Hood

- LED task lighting
- Dishwasher-safe grease filter
- 3-speed, 400 CFM motor class¹
- Convertible ventilation (recirculating or vented)
- + 44 dBA (0.7 sones) at low speed^{**}



WVWA5UC0H WVWA5UC6H

30"/36" Hood

- LED task lighting
- Dishwasher-safe grease filter
- 3-speed, 400 CFM motor class¹
- Convertible ventilation (recirculating or vented)
- + Glass wall-mounted canopy hood
- + Glass edge LED lighting
- + Perimetric Venting technology
- + Noise reduction technology



WVI75UC6D

36" Hood

- Glass island canopy hood
- LED task lighting
- Dishwasher-safe grease filter
- 3-speed, 400 CFM motor class¹
- Convertible ventilation (recirculating or vented)
- Glass edge LED lighting
- Perimetric Venting technology
- Noise reduction technology



+ Indicates a step-up feature.

¹Performance varies based on installation. Resources available at hvi.org. ^{**}When configured for outside ventilation.

¹Performance varies based on installation. Resources available at hvi.org.



UXD8630DY UXD8636DY

30"/36" Hood

- Pop-up style
- 3-speed slide controls
- Dishwasher-safe grease filters



UXL5430BS

30" Hood Liner

- Custom style
- 3-speed push-button controls
- Dishwasher-safe grease filters
- On/Off 50-watt halogen lighting



UXL6036YS

36" Hood Liner

- Custom style
- Dishwasher-safe grease filters
- + 3-speed slide controls
- + High/Low/Off 50-watt halogen lighting
- + Auto-On Heat sensor



UXL6048YS

48" Hood Liner

- Custom style
- Dishwasher-safe grease filters
- 3-speed slide controls
- High/Low/Off 50-watt halogen lighting
- Auto-On Heat sensor



+ Indicates a step-up feature.



UXB0600DYS

Internal Blower

- 3-speed, 600 CFM internal blower
- Installed in hood unit



UXB1200DYS

Internal Blower

- Installed in hood unit
- + 3-speed, 1,200 CFM internal blower



UXI1200DYS

In-Line Blower

- 3-speed, 1,200 CFM internal blower
- For use with custom hood liner

+ Indicates a step-up feature.

Gold type indicates a step-up feature

MODEL	24-Inch WVU37UC4F	30-Inch WVU37UC0F 36-Inch WVU37UC6F	30-Inch WVU57UC0F 36-Inch WVU57UC6F
FT system	•	•	•
HOOD FEATURES			
3-speed, 265 CFM motor class*	•	•	
3-speed, 350 CFM motor class*			•
Boost function			•
Controls	Push-button	Push-button	Tap Touch
Dishwasher-safe, full-width grease filters	•	•	•
LED task lighting	•	•	•
Recirculation (non-vented/duct-free)	•	•	•
Sones (up to)**	5.2 (0.5 at working speed)	5.2 (0.5 at working speed)	6 (1.0 at low speed)
VENTING & DUCT TYPE			
3/4" x 10" rectangular duct (included)	•	•	•
7" round duct (included)	•	•	•
Hidden vent	•	•	•
Exterior and interior venting	Horizontal & vertical	Horizontal & vertical	Horizontal & vertical
Vent type	Convertible	Convertible	Convertible
COLORS			
Available colors	S	W / B / S	S
DIMENSIONS			
Max height (A)	6 1/2"	4 1/8" 6 1/2"	6 1/2"
Width (B)	23 1/8"	29 1/8" 36"	29 1/8" 35 1/8"
Depth (C)	19 1/8"	18 1/8" 19 1/8"	19 1/8"

Dimensions are shown for planning purposes only. For complete information, see Installation Instructions packed with product.
*Performance varies based on installation. Resources available at hvi.org. **Based on 3.25" x 10" rear outlet.

Gold type indicates a step-up feature

MODEL	30-Inch WVW51UC0F 36-Inch WVW51UC6F	30-Inch WVW51UC0H 36-Inch WVW51UC6H	30-Inch WVW53UC0F 36-Inch WVW53UC6F	30-Inch WVW53UC0H 36-Inch WVW53UC6H	30-Inch WVW57UC0F 36-Inch WVW57UC6F	30-Inch WVWA5UC0H 36-Inch WVWA5UC6H	36-Inch WVW75UC6D
Island canopy							Glass
Wall-mounted canopy	Glass	Glass	•	•	•	Glass	
HOOD FEATURES							
3-speed push-button controls	•	•	•	•	•	•	•
3-speed, 400 CFM motor class*	•	•	•	•	•	•	•
Centrifugal fan	•	•	•	•	•	•	•
Convertible ventilation (recirculating or vented)	•	•	•	•	•	•	•
Dishwasher-safe grease filter	•	•	•	•	•	•	•
Glass edge LED lighting						•	•
In-line smart blower						•	•
LED task lighting	•	•	•	•	•	•	•
Noise reduction technology						•	•
Sones/dBA** (up to)	5.5/66	5.5/66	5.6/69	5.6/69	5.2/65	5/64	5/64
Low speed/dBA** (up to)	0.7/44	0.7/44	0.7/44	0.7/44	0.7/44	1.0/49	1.0/49
VENTING & DUCT TYPE							
6" round duct	•	•	•	•	•	•	•
Chimney extension kit	EXTKIT10ES	EXTKIT10HV	EXTKIT18FS	EXTKIT18HV	EXTKIT25FS	EXTKIT10HN	EXTKIT26FS
Exterior and interior vertical venting	•	•	•	•	•	•	•
Perimetric Venting technology						•	•
Recirculation kit/charcoal filter (optional)	•	•	•	•	•	•	•
Vent type	Convertible	Convertible	Convertible	Convertible	Convertible	Convertible	Convertible
COLORS							
Available colors	S	V	S	V	S	N	S
DIMENSIONS							
Max height (A)	28 1/2"	28 1/2"	28 1/2"	33 1/4"	28 1/2"	28 1/2"	33 1/4"
Width (B)	30" 36"	30" 36"	30" 36"	30" 36"	30" 36"	30" 36"	36"
Chimney depth (C)	20"	20" 25 1/8"	20"	25 1/8"	19 1/8"	20"	25 1/8"

Dimensions are shown for planning purposes only. For complete information, see Installation Instructions packed with product.
*Performance varies based on installation. Resources available at hvi.org. **When configured for outside ventilation.

Gold type indicates a step-up feature

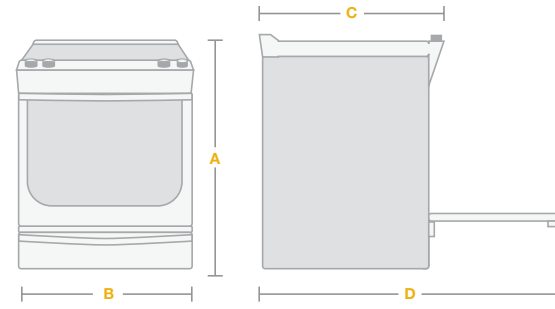
MODEL	30-Inch UXD8630DY	36-Inch UXD8636DY
Style	Pop-up	Pop-up
HOOD FEATURES		
3-speed slide controls	•	•
Damper	•	•
Damper/vent connector (included)	3/4" x 10" rectangular	3/4" x 10" rectangular
Dishwasher-safe grease filters	•	•
Dual centrifugal fan	•	•
Maximum exhaust (CFM)*	600	600
Sones (up to)*	7.9	7.9
VENTING & DUCT TYPE		
3/4" x 10" rectangular duct (included)	•	•
6" round duct (included)	•	•
Exterior venting	Vertical	Vertical
Vented only	•	•
COLORS		
Available color	S	S
DIMENSIONS		
Max height above countertop (A)	13½"	13½"
Max height below countertop (B)	28½"	28½"
Width (C)	30"	36"
Chimney depth above countertop (D)	2¼"	2¼"
Chimney depth below countertop (E)	12¼"	12¼"

Dimensions are shown for planning purposes only. For complete information, see Installation Instructions packed with product.
*Refer to Use & Care Guide for more information.

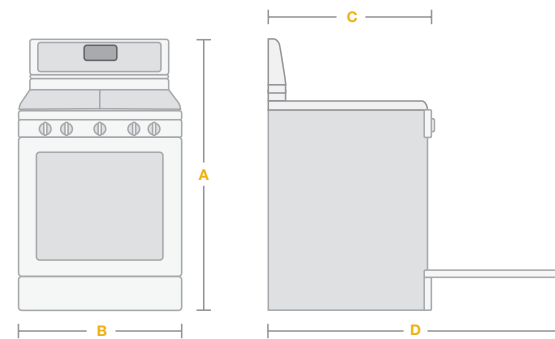
Gold type indicates a step-up feature

MODEL	30-Inch UXL5430BS	36-Inch UXL6036YS	48-Inch UXL6048YS
Style	Custom	Custom	Custom
LINER FEATURES			
3-speed push-button controls	•		
3-speed slide controls		•	•
50-watt halogen lighting	On/Off (2 bulbs included)	High/Low/Off (4 bulbs included)	High/Low/Off (4 bulbs included)
Auto-On Heat sensor		•	•
Dishwasher-safe grease filters	•	•	•
VENTING & DUCT TYPE			
6" round duct	•		
10" round duct		•	•
Vent type	Convertible		
Vented only		•	•
Vertical venting	•	•	•
ACCESSORIES (Part No.)			
Blower motor systems	Included 400 CFM	Internal 600 CFM – UXB0600DYS Internal 1200 CFM – UXB1200DYS In-Line 1200 CFM – UXI1200DYS	Internal 600 CFM – UXB0600DYS Internal 1200 CFM – UXB1200DYS In-Line 1200 CFM – UXI1200DYS
Face panel rear extension (30" x 18")	W10490327		
Recirculation/Charcoal filter kit	W10490330		
COLORS			
Available color	S	S	S
DIMENSIONS			
Max height (C)	13½"	11½"	11½"
Width (B)	30"	35½"	47½"
Depth (A)	11½"	22"	22"

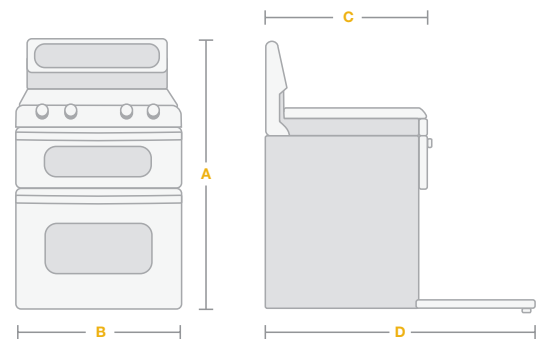
Dimensions are shown for planning purposes only. For complete information, see Installation Instructions packed with product.



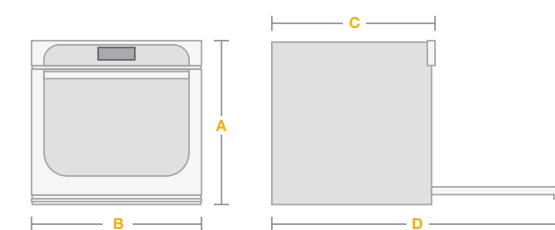
FRONT CONTROL RANGE MODEL	MAX HEIGHT (A)	WIDTH (B)	DEPTH INCLUDING HANDLES (C)	DEPTH WITH DOOR OPEN (D)
WEC310SOF	37"	29 ¹ / ₈ "	29 ³ / ₁₆ "	47 ¹ / ₈ "
WEC310SAG	35"	29 ¹ / ₈ "	29 ¹ / ₂ "	47 ¹ / ₈ "
WEE510SOF	37"	29 ¹ / ₈ "	28 ⁵ / ₁₆ "	47 ¹ / ₈ "
WEE510SAG	35"	29 ¹ / ₈ "	29 ¹ / ₄ "	47 ³ / ₈ "
WEE745HOF	36"	29 ¹ / ₈ "	28 ⁷ / ₈ "	48 ³ / ₄ "
WEE750HOH	36"	29 ¹ / ₈ "	28 ⁵ / ₈ "	48 ¹ / ₈ "
WEEA25HOH	36"	29 ¹ / ₈ "	28 ⁵ / ₈ "	48 ¹ / ₈ "
WEG515SOF	37"	29 ¹ / ₈ "	28 ⁵ / ₁₆ "	47 ¹ / ₈ "
WEG745HOF	36"	29 ¹ / ₈ "	28 ⁷ / ₈ "	47 ⁵ / ₁₆ "
WEG750HOH	36"	29 ¹ / ₈ "	28 ⁵ / ₈ "	48 ¹ / ₈ "
WEGA25HOH	36"	29 ¹ / ₈ "	28 ⁵ / ₈ "	48 ¹ / ₈ "



FREESTANDING RANGE MODEL	MAX HEIGHT (A)	WIDTH (B)	DEPTH INCLUDING HANDLES (C)	DEPTH WITH DOOR OPEN (D)
WFC150MOE	47 ¹ / ₈ "	29 ¹ / ₈ "	27 ¹ / ₄ "	46 ¹ / ₄ "
WFC310SOE	47 ¹ / ₈ "	29 ¹ / ₈ "	27 ¹ / ₄ "	46 ¹ / ₄ "
WFE320MOE	47 ¹ / ₈ "	29 ¹ / ₈ "	27 ¹ / ₄ "	46 ¹ / ₄ "
WFE505WOH	47 ¹ / ₈ "	29 ¹ / ₈ "	27 ¹ / ₄ "	46 ¹ / ₁₆ "
WFE510SOH	47 ¹ / ₈ "	29 ¹ / ₈ "	27 ¹ / ₄ "	46 ¹ / ₁₆ "
WFE520SOF	47 ¹ / ₈ "	29 ¹ / ₈ "	27 ¹ / ₄ "	46 ¹ / ₈ "
WFE525SOH	47 ¹ / ₈ "	29 ¹ / ₈ "	27 ¹ / ₄ "	46 ¹ / ₁₆ "
WFE550SOH	47 ¹ / ₈ "	29 ¹ / ₈ "	27 ¹ / ₄ "	46 ¹ / ₁₆ "
WFE775HOH	46 ¹ / ₂ "	29 ¹ / ₈ "	27 ¹ / ₄ "	47 ¹ / ₈ "
WFE975HOH	46 ¹ / ₂ "	29 ¹ / ₈ "	27 ¹ / ₄ "	47 ¹ / ₈ "
WFG320MOB	46 ¹ / ₄ "	29 ¹ / ₈ "	27 ¹ / ₄ "	45 ¹ / ₄ "
WFG505MOB	46 ¹ / ₄ "	29 ¹ / ₈ "	27 ¹ / ₄ "	45 ¹ / ₄ "
WFG510SOH	47 ¹ / ₈ "	29 ¹ / ₈ "	27 ¹ / ₄ "	46 ¹ / ₁₆ "
WFG520SOF	47 ¹ / ₈ "	29 ¹ / ₈ "	27 ¹ / ₄ "	46 ¹ / ₈ "
WFG525SOH	47 ¹ / ₈ "	29 ¹ / ₈ "	27 ¹ / ₄ "	46 ¹ / ₁₆ "
WFG550SOH	47 ¹ / ₈ "	29 ¹ / ₈ "	27 ¹ / ₄ "	46 ¹ / ₈ "
WFG775HOH	46 ¹ / ₂ "	29 ¹ / ₈ "	27 ¹ / ₄ "	48"
WFG975HOH	46 ¹ / ₂ "	29 ¹ / ₈ "	27 ¹ / ₄ "	48"
WFE500M4H	36 ¹ / ₄ "	24"	28"	42 ¹ / ₂ "
WFG500M4H	36 ¹ / ₄ "	24"	28"	42 ¹ / ₂ "

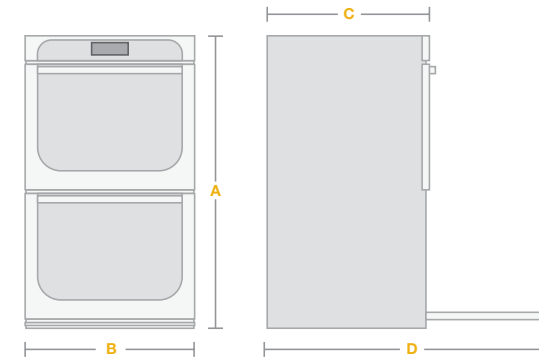


FREESTANDING DOUBLE OVEN RANGE MODEL	MAX HEIGHT (A)	WIDTH (B)	DEPTH INCLUDING HANDLES (C)	DEPTH WITH DOORS OPEN (D)
WGE745COF	47 ¹ / ₈ "	29 ⁵ / ₁₆ "	28 ¹ / ₂ "	46"
WGG745SOF	47 ¹ / ₈ "	29 ⁵ / ₁₆ "	28 ¹ / ₂ "	46"

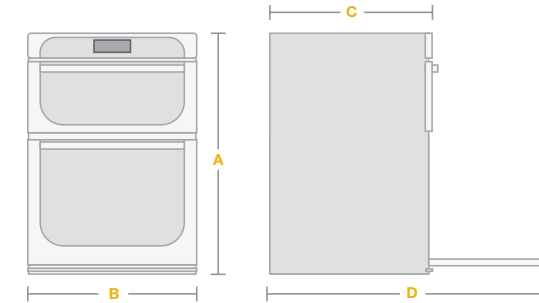


SINGLE WALL OVEN MODEL	MAX HEIGHT (A)	WIDTH (B)	DEPTH INCLUDING HANDLES (C)	DEPTH WITH DOOR OPEN (D)
WOS51EC7H	28 ³ / ₄ "	27"	26 ⁵ / ₈ "	46 ¹ / ₄ "
WOS51EC0H	28 ³ / ₄ "	30"	26 ⁵ / ₈ "	46 ¹ / ₄ "
WOS72EC7H	28 ³ / ₄ "	27"	26 ⁵ / ₈ "	46 ¹ / ₄ "
WOS72EC0H	28 ³ / ₄ "	30"	26 ⁵ / ₈ "	46 ¹ / ₄ "
WOS97EC0H	28 ³ / ₄ "	30"	26 ⁵ / ₈ "	46 ¹ / ₄ "
WOSA2EC0H	28 ³ / ₄ "	30"	26 ⁵ / ₈ "	46 ¹ / ₄ "

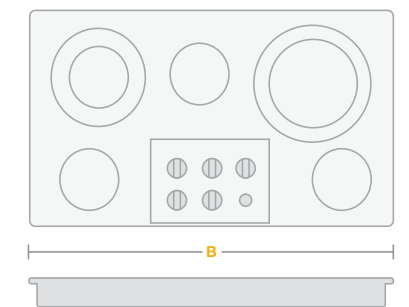
Dimensions are shown for planning purposes only. For complete information, see Installation Instructions packed with product.



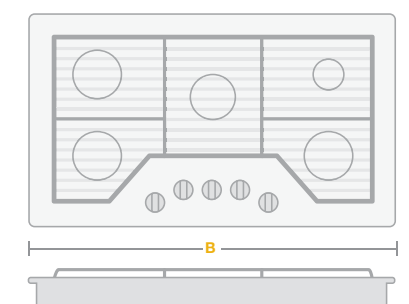
DOUBLE WALL OVEN MODEL	MAX HEIGHT (A)	WIDTH (B)	DEPTH INCLUDING HANDLES (C)	DEPTH WITH DOORS OPEN (D)
WOD51EC7H	51 ¹ / ₂ "	27"	26 ⁵ / ₈ "	42 ¹ / ₄ "
WOD51EC0H	51 ¹ / ₂ "	30"	26 ⁵ / ₈ "	42 ¹ / ₄ "
WOD77EC7H	51 ¹ / ₂ "	27"	26 ⁵ / ₈ "	42 ¹ / ₄ "
WOD77EC0H	51 ¹ / ₂ "	30"	26 ⁵ / ₈ "	42 ¹ / ₄ "
WOD97EC0H	51 ¹ / ₂ "	30"	26 ⁵ / ₈ "	42 ¹ / ₄ "
WODA7EC0H	51 ¹ / ₄ "	30"	26 ⁵ / ₈ "	42 ¹ / ₄ "



COMBINATION WALL OVEN MODEL	MAX HEIGHT (A)	WIDTH (B)	DEPTH INCLUDING HANDLES (C)	DEPTH WITH DOOR OPEN (D)
WOC54EC7H	42 ⁵ / ₈ "	27"	26 ⁵ / ₈ "	46 ¹ / ₄ "
WOC54EC0H	42 ⁵ / ₈ "	30"	26 ⁵ / ₈ "	46 ¹ / ₄ "
WOC75EC7H	42 ⁵ / ₈ "	27"	26 ⁵ / ₈ "	46 ¹ / ₄ "
WOC75EC0H	42 ⁵ / ₈ "	30"	26 ⁵ / ₈ "	46 ¹ / ₄ "
WOC97EC0H	42 ¹ / ₂ "	30"	26 ⁵ / ₈ "	46 ¹ / ₄ "
WOCA7EC0H	42 ¹ / ₂ "	30"	26 ⁵ / ₈ "	46 ¹ / ₄ "

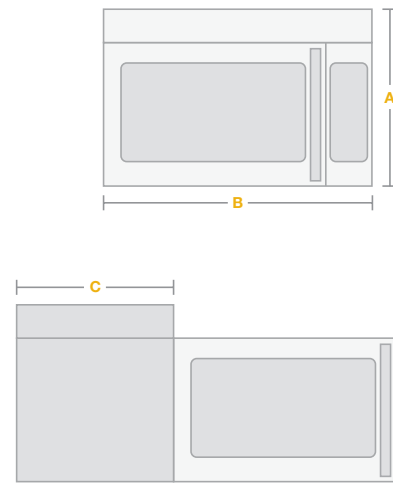


ELECTRIC COOKTOP MODEL	MAX HEIGHT (A)	WIDTH (B)	DEPTH (C)
RCS2012R	2 ⁵ / ₈ "	21"	16 ¹ / ₂ "
WCC31430A	3 ¹ / ₄ "	30"	21"
WCE55US4H	5"	21 ⁵ / ₈ "	21 ³ / ₄ "
WCE55US0H	5 ¹ / ₄ "	30 ³ / ₈ "	21 ³ / ₄ "
GCI3061X	2 ⁵ / ₈ "	30 ³ / ₈ "	21 ³ / ₈ "
WCE77US0H	5 ¹ / ₄ "	30 ³ / ₈ "	21 ³ / ₄ "
WCE97US0H	5 ¹ / ₄ "	30 ³ / ₈ "	22 ¹ / ₁₆ "
WCE55US6H	5 ¹ / ₄ "	36 ⁵ / ₈ "	21 ³ / ₄ "
WCE77US6H	5 ¹ / ₄ "	36 ⁵ / ₈ "	22 ¹ / ₁₆ "
WCE97US6H	5 ¹ / ₄ "	36 ⁵ / ₈ "	22 ¹ / ₁₆ "

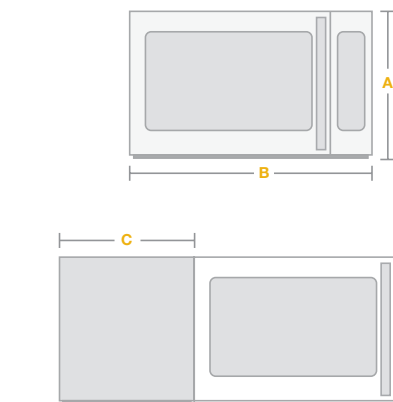


GAS COOKTOP MODEL	MAX HEIGHT (A)	WIDTH (B)	DEPTH (C)
WCG52424A	1 ⁵ / ₈ "	23 ¹ / ₄ "	20 ⁵ / ₈ "
W3CG3014X	3 ¹ / ₈ "	31 ¹ / ₈ "	21 ¹ / ₄ "
WCG55US0H	4 ¹ / ₈ "	30"	21"
WCG77US0H	4 ¹ / ₈ "	30"	21"
WCG97US0H	4 ¹ / ₈ "	30"	21"
WCG55US6H	4 ¹ / ₈ "	36"	21"
WCG97US6H	4 ¹ / ₈ "	36"	21"

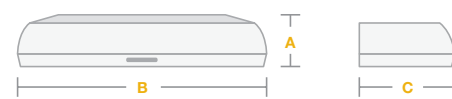
Dimensions are shown for planning purposes only. For complete information, see Installation Instructions packed with product.



MICROWAVE HOOD COMBINATION MODEL	MAX HEIGHT (A)	WIDTH (B)	DEPTH INCLUDING HANDLE (C)
WMH31017H	17 ¹ / ₈ "	29 ¹ / ₈ "	15 ¹ / ₈ "
WMH32519H	17 ¹ / ₈ "	29 ¹ / ₈ "	15 ¹ / ₈ "
WMH53521H	17 ¹ / ₈ "	29 ¹ / ₈ "	16"
WMH54521H	17 ¹ / ₈ "	29 ¹ / ₈ "	16"
WMH75021H	17 ¹ / ₈ "	29 ¹ / ₈ "	16"
WMH78019H	17 ¹ / ₈ "	29 ¹ / ₈ "	16"
WMHA9019H	17 ¹ / ₈ "	29 ¹ / ₈ "	16"
UMH50008H	26 ⁷ / ₈ "	23 ¹ / ₂ "	14 ¹ / ₈ "
WML55011H	10 ⁵ / ₈ "	29 ⁵ / ₈ "	18"
WML75011H	10 ⁵ / ₈ "	29 ⁵ / ₈ "	18"

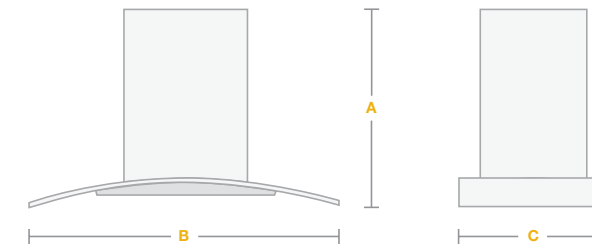


COUNTERTOP MICROWAVE MODEL	MAX HEIGHT (A)	WIDTH (B)	DEPTH INCLUDING HANDLE (C)
WMC10007A	10 ¹ / ₂ "	18"	13 ¹ / ₈ "
WMC20005Y	14 ¹ / ₈ "	15 ¹ / ₈ "	13 ¹ / ₄ "
WMC30516H	13"	21 ¹ / ₄ "	17 ¹ / ₄ "
WMC50522H	12 ¹ / ₈ "	24"	19 ¹ / ₈ "

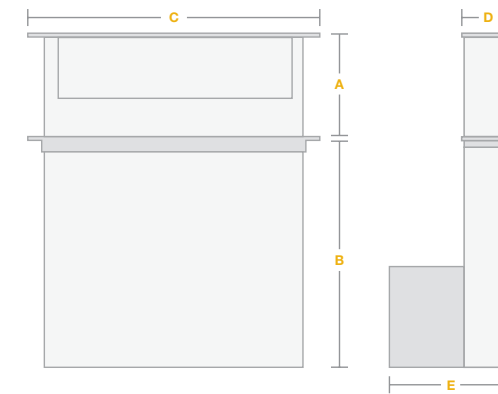


UNDER CABINET HOOD MODEL	MAX HEIGHT (A)	WIDTH (B)	DEPTH (C)
WVU37UC4F	6 ¹ / ₈ "	23 ¹ / ₈ "	19 ¹ / ₈ "
WVU37UC0F	4 ¹ / ₈ "	29 ¹ / ₈ "	18 ¹ / ₈ "
WVU37UC6F	6 ¹ / ₈ "	36"	19 ¹ / ₈ "
WVU57UC0F	6 ¹ / ₈ "	29 ¹ / ₈ "	19 ¹ / ₈ "
WVU57UC6F	6 ¹ / ₈ "	35 ¹ / ₈ "	19 ¹ / ₈ "

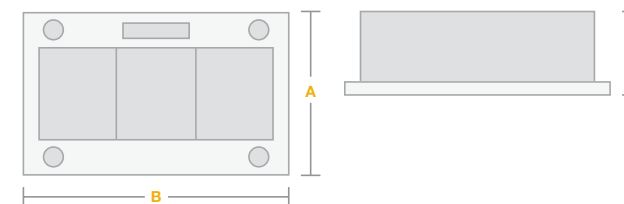
Dimensions are shown for planning purposes only. For complete information, see Installation Instructions packed with product.



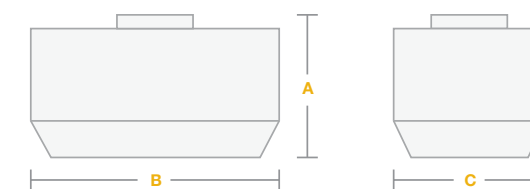
CANOPY HOOD MODEL	MAX HEIGHT (A)	WIDTH (B)	CHIMNEY DEPTH (C)
WVW51UC0F	28 ¹ / ₈ "	30"	20"
WVW51UC6F	28 ¹ / ₈ "	36"	20"
WVW51UC0H	28 ¹ / ₈ "	30"	20"
WVW51UC6H	28 ¹ / ₈ "	36"	25 ³ / ₈ "
WVW53UC0F	28 ¹ / ₈ "	30"	20"
WVW53UC6F	28 ¹ / ₈ "	36"	20"
WVW53UC0H	33 ¹ / ₄ "	30"	25 ³ / ₈ "
WVW53UC6H	33 ¹ / ₄ "	36"	25 ³ / ₈ "
WVW57UC0F	28 ⁷ / ₈ "	30"	19 ¹ / ₈ "
WVW57UC6F	28 ⁷ / ₈ "	36"	19 ¹ / ₈ "
WVWA5UC0H	28 ¹ / ₈ "	30"	20"
WVWA5UC6H	28 ¹ / ₈ "	36"	20"
WV175UC6D	33 ¹ / ₄ "	36"	25 ³ / ₈ "



DOWNDRAFT HOOD MODEL	MAX HEIGHT ABOVE COUNTERTOP (A)	MAX HEIGHT BELOW COUNTERTOP (B)	WIDTH (C)	CHIMNEY DEPTH ABOVE COUNTERTOP (D)	CHIMNEY DEPTH BELOW COUNTERTOP (E)
UXD8630DY	13 ¹ / ₂ "	28 ¹ / ₂ "	30"	2 ¹ / ₈ "	12 ¹ / ₈ "
UXD8636DY	13 ¹ / ₂ "	28 ¹ / ₂ "	36"	2 ¹ / ₈ "	12 ¹ / ₈ "



HOOD LINER MODEL	DEPTH (A)	WIDTH (B)	MAX HEIGHT (C)
UXL5430BS	11 ¹ / ₈ "	30"	13 ¹ / ₈ "
UXL6036YS	22"	35 ¹ / ₈ "	11 ¹ / ₂ "
UXL6048YS	22"	47 ¹ / ₈ "	11 ¹ / ₂ "



IN-LINE BLOWER MODEL	MAX HEIGHT (A)	WIDTH (B)	DEPTH (C)
UX1200DYS	12 ¹ / ₈ "	26 ¹ / ₈ "	14 ¹ / ₈ "

Dimensions are shown for planning purposes only. For complete information, see Installation Instructions packed with product.



CLEANING & MAINTENANCE		PART NO.	
1	affresh® Cooktop Cleaner	Helps cut through tough, baked on residue. Safe for all glass, ceramic and porcelain cooktops.	W10355051
2	affresh® Cooktop Cleaning Kit	Includes a scraper and scrub pad that remove build-up and cooked on spills without scratching or harming your cooktop surfaces and non-abrasive cleaner that is safe for all glass and ceramic cooktops.	W11042470
3	affresh® Cooktop Cleaning Wipes	Specially formulated featuring a dual-sided wipe with scrubber side to remove everyday residues and smooth side to leave your ceramic cooktop with a streak-free shine.	W10539770
4	affresh® Stainless Steel Cleaning Mousse	Specially formulated to eliminate overspray, dripping and waste for a direct, even coverage that gently cleans fingerprints, smudges, and other residues from your stainless steel appliances.	W11042466
5	affresh® Stainless Steel Cleaning Spray	Designed to gently clean fingerprints, smudges and other residues on all stainless steel surfaces.	W11042467
6	affresh® Stainless Steel Cleaning Wipes	Gently clean fingerprints, smudges and residue for a streak-free, polished shine.	W10539769
7	Oven Cleaning Kit	Offers everything you need to clean both gas and electric ovens featuring AquaLift® self-cleaning technology. Includes (1) scraper, (1) scrubbing sponge and (1) expanding sponge.	W10423113RP
8	Touch-Up Paint White	Touch up appliance exteriors with this 0.6 fl. oz. bottle of touch-up paint. Includes applicator brush.	72017
9	Touch-Up Paint Black	Touch up appliance exteriors with this 0.6 fl. oz. bottle of touch-up paint. Includes applicator brush.	72032
10	Touch-Up Paint Biscuit	Touch up appliance exteriors with this 0.6 fl. oz. bottle of touch-up paint. Includes applicator brush.	4392899
11	Touch-Up Paint Universal Silver	Touch up appliance exteriors with this 0.6 fl. oz. bottle of touch-up paint. Includes applicator brush.	8212473
COOKWARE			
12	13" Brick Baking Stone	Use for breads, bagels, rolls, cookies, pastries and more. Can be used in both regular and convection ovens.	4378577
13	Grillplate	Highly efficient multilayered material with a non-stick stainless steel surface. Safe for cooking on conventional ranges, as well as steamers.	W11035422
14	Gourmet Griddle	Commercial-grade, cast-aluminum surface safe for use on gas and electric cooktops and ranges to expand cooking surface.	4396096RB
15	Microwave Crisper Pan	Pan-fry, brown and crisp foods in the microwave.	W10187336A
16	Universal Microwave Steamer	Use these dishwasher-safe hard plastic components to steam fish, vegetables or rice. BPA free.	8205262RB
FREESTANDING RANGE ACCESSORIES			
17	Front Control Range Trim Kit White	Cover the sides of the range for a more finished look.	W10675027
18	Front Control Range Trim Kit Black	Cover the sides of the range for a more finished look.	W10675026
19	Front Control Range Trim Kit Stainless Steel	Cover the sides of the range for a more finished look.	W10675028
20	Replacement Drip Bowl Chrome	Includes (1) 8" drip bowl.	W10196405RW
21	Replacement Drip Bowl Set Black	Includes (2) 8" and (2) 6" drip bowls.	W10288051
22	Replacement Drip Bowl Set Chrome	Includes (2) 8" and (2) 6" drip bowls.	W10278125
WALL OVEN ACCESSORIES			
23	Heavy Duty Sliding Rack	27" Wall Ovens. Offers enough strength to support two 16-lb turkeys.	W10282974A
24	Heavy Duty Sliding Rack	30" Wall Ovens. Offers enough strength to support two 16-lb turkeys.	W10282973A
25	Heavy Duty Sliding Rack with Handle	27" Wall Ovens. Offers enough strength to support two 16-lb turkeys.	W10282972A
26	Premium Broil Pan & Roasting Rack	Easy-to-clean 3-piece set with broiler grid helps prevent splatter and smoke.	W10123240
27	Side Trim Cover Kit	Single Wall Ovens	W10536160
28	Side Trim Cover Kit	Double Wall Ovens	W10536161
29	Side Trim Cover Kit	Combination Wall Ovens	W10536162

WALL OVEN ACCESSORIES		PART NO.	
30	Vent Trim Kit	27" Single and Double Wall Ovens Stainless Steel	W10752686
31	Vent Trim Kit	30" Single and Double Wall Ovens White	W10752680
32	Vent Trim Kit	30" Single and Double Wall Ovens Black	W10752681
33	Vent Trim Kit	30" Single and Double Wall Ovens Stainless Steel	W10752683
34	Vent Trim Kit	27" Combination Wall Ovens White	W10752694
35	Vent Trim Kit	27" Combination Wall Ovens Black	W10752695
36	Vent Trim Kit	27" Combination Wall Ovens Stainless Steel	W10752696
37	Vent Trim Kit	30" Combination Wall Ovens White	W10752687
38	Vent Trim Kit	30" Combination Wall Ovens Black	W10752688
39	Vent Trim Kit	30" Combination Wall Ovens Stainless Steel	W10752693
MICROWAVE ACCESSORIES			
40	Trim Kit Countertop Microwave to Built-In (27"/30")	For model WMC30516H White	MK2167AW/MK2160AW
41	Trim Kit Countertop Microwave to Built-In (27"/30")	For model WMC30516H Black	MK2167AB/MK2160AB
42	Trim Kit Countertop Microwave to Built-In (27"/30")	For model WMC30516H Fingerprint-Resistant Stainless Steel	MK2167AZ/MK2160AZ
43	Trim Kit Countertop Microwave to Built-In (27"/30")	For model WMC30516H Fingerprint-Resistant Black Stainless Steel	MK2167AW/MK2160AV
44	Trim Kit Countertop Microwave to Built-In (27"/30")	For model WMC50522H White	MK2227AW/MK2220AW
45	Trim Kit Countertop Microwave to Built-In (27"/30")	For model WMC50522H Black	MK2227AB/MK2220AB
46	Trim Kit Countertop Microwave to Built-In (27"/30")	For model WMC50522H Stainless Steel	MK2227AS/MK2220AS
47	Trim Kit Countertop Microwave to Built-In (27"/30")	For model WMC50522H Fingerprint-Resistant Stainless Steel	MK2227AZ/MK2220AZ
48	Trim Kit Countertop Microwave to Built-In (27"/30")	For model WMC50522H Fingerprint-Resistant Black Stainless Steel	MK2227AV/MK2220AV
49	Trim Kit Countertop Microwave to Built-In (27"/30")	For model WMC50522H Fingerprint-Resistant Sunset Bronze	MK2227AN/MK2220AN
HOOD & VENT ACCESSORIES			
50	7" Round Damper		W10355451
51	Hood Power Cord		W10613691
52	Over-the-Range Microwave Charcoal Filter	5" L x 5 1/4" W x 1/4" D	8206230A
53	Over-the-Range Microwave Grease Filter	Measure current filter to ensure correct replacement. 13 1/2" L x 6" W x 1/4" D	W10208631A
54	Over-the-Range Microwave Grease Filter	Measure current filter to ensure correct replacement. 12 1/4" L x 6" W x 1/4" D	W10535950

A**ACCUPOP™ CYCLE**

Helps prevent your popcorn from burning by using a sound sensor to track the time between pops.

ACCUSIMMER® BURNER/ELEMENT

Easily maintain low, even heat when cooking sauces and soups with reduced power for better control at lower temperatures.

ADA COMPLIANT

Appliances with this designation meet the Standards for Accessible Design specified by the Americans with Disabilities Act to provide equal access to all.

ADJUSTABLE SELF-CLEANING TECHNOLOGY

Clean without harsh chemicals or special cleaners by running this high-temperature setting that automatically cleans the oven according to a preprogrammed cycle.

AQUALIFT® SELF-CLEANING TECHNOLOGY

A special coating and water releases baked on foods from the bottom of the oven without cleaners. When the cleaning cycle is complete, soils and excess water can be easily removed with a dry towel.

C**CENTER OVAL BURNER**

Easily fit large griddles and other longer cookware on this fifth burner so they heat evenly on the range top.

CLEANRELEASE® NON-STICK INTERIOR

Help prevent spills from sticking with the CleanRelease® non-stick interior, which lets you clean up with the simple wipe of a damp paper towel.

CONTROL LOCK MODE

Disables the control panel to avoid unintended use.

CONVECTION CONVERSION

Easily get the right convection cooking temperatures. Your oven automatically converts traditional recipes for convection cooking, adjusting cooking times and temperatures for you.

CONVERTIBLE VENTILATION

Vent vapors and odors outside or filter them and recirculate the air, depending on your kitchen's setup.

D**DIGITAL MEAT THERMOMETER**

Always know when food is done with a digital thermometer that automatically monitors the internal temperature of your dishes and turns off the oven when food is fully cooked.

DISHWASHER-SAFE CAST-IRON GRATES

Wash these grates right in the dishwasher when they get messy, thanks to a dishwasher-safe finish that makes them easy to clean.

E**EASY-WIPE CERAMIC GLASS COOKTOP**

Wiping up spills is simple with the easy-to-clean cooktop.

ELECTRONIC TOUCH CONTROLS

Navigate through cooking modes and options with controls that are as easy to use as they are to clean.

ENHANCED TROUBLESHOOTING

Get immediate support for quick solutions by using your smartphone or tablet to access troubleshooting videos.*

EZ-2-LIFT™ HINGED CAST-IRON GRATES

Get quick access to spills on the cooktop with our industry-first EZ-2-Lift™ hinged cast-iron grates. The hinged design lets you wipe up underneath without removing them. For a more thorough clean, the grates are also dishwasher safe.

F**FAN CONVECTION COOKING**

Cook meals consistently with a fan in the back of the oven that distributes hot air more efficiently. This helps eliminate cold spots so you can bake on any rack.

FIT SYSTEM

Appliances with the FIT system will fit seamlessly in your kitchen without the hassle of remodeling.

I**INDUCTION COOKING TECHNOLOGY**

Faster and more efficient induction technology transfers energy directly into any magnetic base cookware.

K**KEEP WARM SETTING**

Keep dishes ready to serve while you work on the rest of the meal. This setting delivers low heat to the oven to keep prepared dishes from getting cold.

KOSHER CONSUMER FRIENDLY MODE

Keep kosher on the Sabbath with this mode that leaves the microwave true convection setting on at a constant temperature until it's manually turned off.

L**LOW PROFILE DESIGN**

Maximize space by moving your microwave off the countertop with a low profile design that fits in the same space as your undercabinet hood.**

M**MAX CAPACITY RACK**

Make plenty of room for large items with a max capacity rack.

MICROWAVE PRESETS

Get just the right amount of heat and time, whether you're cooking or defrosting, with specific preset option.

MULTI-STEP COOKING

Make multi-step meals more simple. Use your smartphone or tablet to send multiple cooking instructions to the oven or microwave all at once. The temperature or cook power automatically adjusts based on the recipe you enter for great results without having to monitor your meal.

N**NOISE REDUCTION TECHNOLOGY**

Sound insulation and a special chimney design allow for quiet ventilation.

FLEXHEAT™ BURNER

Two rows of flames give you the evenly distributed high heat you need for rapid boiling and searing or the lower temperatures necessary for more delicate dishes.

FLEXHEAT™ ELEMENT

Get two or three elements in one with a 6" inner ring that's great for smaller pots and pans, and expandable outer rings that make room for larger cookware.

FLUSH INSTALLATION

Get a truly seamless look with a wall oven that fits flush with your existing kitchen cabinets.

FROZEN BAKE™ TECHNOLOGY

Skip preheating and cook frozen favorites like pizza in fewer steps with preprogrammed settings that automatically adjust cooking times for you.

G**GLASS EDGE LED LIGHTING**

Senses when your kitchen lights dim and automatically turns on to act as a night-light.

GUIDED COOKTOP CONTROLS

Control the heat without the guesswork. The knobless design uses up/down arrows to select the temperature you need, while heat level indicators show when you are simmering and melting.

GUIDED SERVICE

Keep track of scheduled appointments and make sure issues are known using the Whirlpool® app to send data from the appliance directly to Whirlpool brand customer service.*

H**HOT OVEN INDICATOR LIGHT**

See when the oven's hot, even after it's been turned off, with a light that lets you know.

HOT SURFACE INDICATOR LIGHT

See when the cooktop's still hot to the touch, even after it's been turned off, with a light that lets you know.

P

PANEL-READY DESIGN

Match the look of your microwave to your kitchen. Choose a stainless steel panel kit (not included) that coordinates with the rest of your appliances or add a custom front panel for a seamless fit with your cabinetry.

PARTY MODE

Start preparing for guests from your smartphone or tablet with Party mode that automatically turns on the Keep Warm setting so dishes stay ready to serve.*

PERIMETRIC VENTING TECHNOLOGY

Helps remove smoke and odors by concentrating hood suction to targeted zones on your cooktop.

PROXIMITY SENSOR

Easily read your display no matter where you are in the kitchen with a sensor that immediately wakes up the appliance when you're close and adjusts the display text size based on your distance.

R

RAPID PREHEAT

Save time with 20% faster preheating.** A rear fan combined with the use of all of the elements helps to heat the oven quickly.

REMOTE CONNECTIVITY

Know if you've left a burner on with remote connectivity that lets you monitor your cooktop from your smartphone or tablet.†

S

SABBATH MODE

Enable this mode to set the oven to remain on the "Bake" setting at a constant temperature until it's manually turned off. When it's turned on, displays, tones and all other cooking and cleaning cycles are disabled.

SCAN-TO-CONNECT TECHNOLOGY

You don't need to be a tech expert to connect your new appliance. Simply open the Whirlpool® app, add your appliance and follow the guided experience to get up and running quickly.*

SCAN-TO-COOK TECHNOLOGY*

Get the right settings every time. Scan a frozen food barcode with your smartphone or tablet and send recommended or customized cooking instructions straight to your oven or microwave for dinner done the way your family wants it.††

SEALED BURNERS

Cut down on cleanup with burners that are sealed to prevent food from falling into them.

SELF-CLOSE DOOR

Keep doors from shutting too quickly with the smooth, quiet mechanism of self-close doors.

SENSOR COOKING

Take out the guesswork with sensors that track the cooking progress of your food and automatically adjust cooking times.

SMART APPLIANCE

Care smarter with connected features that let you send cooking instructions to the appliance from your smartphone, control your kitchen with voice commands using a voice-enabled device or easily keep up with service and maintenance.*

SPEEDHEAT™ BURNER

Get dinner to the table fast with this burner that generates the high heat needed to sear and boil quickly.

STAR-K CERTIFIED

Star-K certified appliances can be used on the Sabbath, as well as holidays of the kosher-observant Jewish consumer.

STEAM CLEAN OPTION

Wipe up light messes quickly with this option that saturates baked on messes on the bottom of the oven with water and lower heat for easy cleaning.

STEAM COOKING

Clear up cooktop space by steaming foods like rice, vegetables and fish right in the microwave. Steam accessory available separately.

STORAGE DRAWER

Provides additional storage for commonly used cooking utensils, pots, pans and cookie sheets.

T

TAP TOUCH CONTROLS

Clean these controls as easily as you use them.

TEMPERATURE SENSOR

Get evenly baked food with a sensor that monitors oven temperature and adjusts the cooking elements.

TOUCHSCREEN

Get instant access to the settings you use most with a touchscreen that learns, adapts and suggests customized presets based on your family's routines.

TRUE CONVECTION COOKING

Cook foods faster‡ with the addition of a third element plus a fan that distributes hot air evenly over, under and around food so dinner is ready when they are.

TRUE CONVECTION MICROWAVE COOKING

Conveniently cook foods with the same home-cooked results, right in the microwave.

U

UPSWEPT SPILLGUARD™ COOKTOP

Raised edges help contain messes to make cleanup faster.

V

VOICE CONTROL WITH A COMPATIBLE VOICE-ENABLED DEVICE**

Control your kitchen no matter what you've got on your hands with simple voice commands using the Google Assistant or an Alexa-enabled device.*

W

WARM ZONE ELEMENT

Keep food warm while you're finishing the rest of the meal using this low-powered center element.

Y

YUMMLY® GUIDED COOKING**

Yummly® Guided Cooking makes meal prep easier by helping you answer the question "what's for dinner?" before it's even asked. Recipes with the Connected Fork icon in the Yummly® app include step-by-step tutorials that provide the extra assistance you need on busy days. Prompts in the app even send cooking instructions straight to your Whirlpool® smart kitchen appliance at the right times, so dinner's ready when your family's hungry.‡

*Appliance must be set to remote enable. WiFi & App Required. Features subject to change. Details and privacy info at whirlpool.com/connect. **Single-rack baking with Rapid Preheat option versus three-rack without option. †Elements cannot be turned off remotely from the app. WiFi & App Required. Features subject to change. Details and privacy info at whirlpool.com/connect. ††Not all frozen foods included. Appliance must be set to remote enable. WiFi & App Required. Features subject to change. Details and privacy info at visit whirlpool.com/connect.

*Appliance must be set to remote enable. WiFi & App Required. Features subject to change. Details and privacy info at whirlpool.com/connect. ‡Compared to a traditional thermal-bake cycle on the same model. ††U.S. only. ‡Select recipes only. Compatible smart appliance required. Appliance must be set to remote enable. Features subject to change. Details and privacy info at whirlpool.com/connect and yummly.com.



MAKING ROOM

That's caring—and why we designed our dishwashers with 35% more rack space* to fit those large, messy loads.

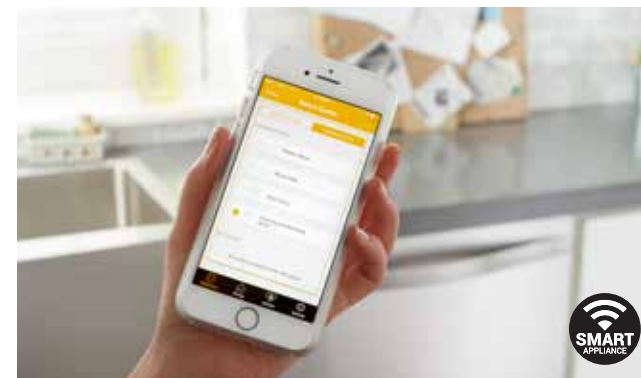
201	DISHWASHERS & SPECIFICATIONS
213	TRASH COMPACTORS, FOOD DISPOSERS & SPECIFICATIONS
217	DIMENSIONS
218	ACCESSORIES
219	GLOSSARY

MODEL(S) SHOWN **WDT970SAHZ**

NOTE: Not all features available on all models.
*Compared to Whirlpool® dishwashers without a third level rack.



MODEL(S) SHOWN WDT970SAHZ



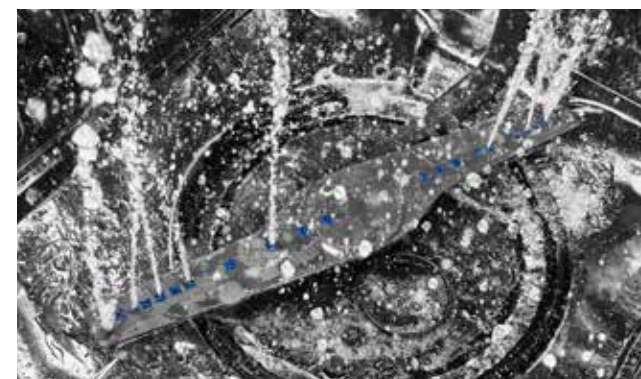
WASH DISHES THE SMART WAY

With the Whirlpool® app, you can control your smart dishwasher even when away from home. Start or pause cycles, create customized cycles to wash and dry the way you want, and download specialty cycles from your smartphone or tablet.*



35% MORE RACK SPACE**

Load more dishes in one go with the third level rack. You'll find the extra room you need for hard-to-fit and oddly shaped items like spatulas and chef's knives.



SCOUR AWAY BAKED-ON FOODS

With twice the jets for more coverage,† the TotalCoverage spray arm uses a smarter sequence of spray patterns from multiple nozzles, hitting your dishes with increased water pressure.



THE RIGHT WASH & DRY EVERY TIME

Eliminate the guesswork with the ideal settings for each load with the Sensor cycle. Two separate sensors measure temperature, soil level and load size once during the prewash and again during the wash cycle to automatically pick the right wash and dry settings.

AVAILABLE COLORS



NOTE: Not all features available on all models. Screen images simulated.

*Appliance must be set to remote enable. WiFi & App Required. Features subject to change. Details and privacy info at whirlpool.com/connect.

**Compared to Whirlpool® dishwashers without a third level rack. †Compared to Whirlpool® dishwashers without TotalCoverage spray arm.



WDF130PAH
Front Control Dishwasher



- 63 dBA*
- 1-Hour Wash cycle
- Heated Dry option



WDF330PAH
Front Control Dishwasher



- 1-Hour Wash cycle
- Heated Dry option

- + 55 dBA*
- + Soil sensor
- + Delay Wash option



WDF331PAH
Front Control Dishwasher



- 55 dBA*
- 1-Hour Wash cycle
- Heated Dry option
- Soil sensor
- Delay Wash option

- + Factory-installed power cord



WDF520PAD
Front Control Dishwasher



- 55 dBA*
- 1-Hour Wash cycle
- Heated Dry option
- Soil sensor
- Delay Wash option

- + In-door silverware basket
- + Sani Rinse option



+ Indicates a step-up feature.
*Per IEC standards.



WDF540PAD
Front Control Dishwasher

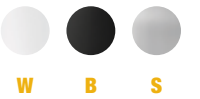


- 1-Hour Wash cycle
- Heated Dry option
- Soil sensor
- Delay Wash option
- In-door silverware basket
- Sani Rinse option

- + 53 dBA*
- + Sensor cycle



WDF550SAH
Front Control Dishwasher



- Quick Wash cycle
- Heated Dry option
- Soil sensor
- Delay Wash option
- Sensor cycle

- + 52 dBA*
- + ADA compliant
- + Stainless steel tub
- + Glass cycle
- + Tap Touch controls



WDF560SAF
Front Control Dishwasher



- 1-Hour Wash cycle
- Heated Dry option
- Soil sensor
- Sensor cycle
- Delay Wash option
- Stainless steel tub

- + 50 dBA*
- + Sani Rinse option



+ Indicates a step-up feature.
*Per IEC standards.

Gold type indicates a step-up feature

MODEL	WDF130PAH	WDF330PAH	WDF331PAH	WDF520PAD	WDF540PAD	WDF550SAH	WDF560SAF
Sound level (dBA)	63	55	55	55	53	52	50
ADA compliant						+	
Cycle memory	•	•	•	•	•	•	•
Cycle status indicator							•
Electronic controls	•	•	•	•	•	Tap Touch	•
ENERGY STAR® certified		•	•	•	•	•	•
Factory-installed power cord			•				
Place setting capacity	12	13	13	14	15	12	12
Soil sensor		•	•	•	•	•	•
DESIGN FEATURE							
Tub material	Slate plastic	Slate plastic	Slate plastic	Slate plastic	Slate plastic	Stainless steel	Stainless steel
CYCLES							
Total number of cycles	3	3	3	4	5	6	5
1-Hour Wash/Quick Wash	•	•	•	•	•	•	•
Glass						•	
Heavy	•	•	•	•	•	•	•
Light						•	•
Normal	•	•	•	•	•	•	•
Sensor					•	•	•
Soak & Clean				•	•		
OPTIONS							
Total number of options	2	3	3	5	5	3	6
Control Lock				•	•	•	•
Delay Wash (hours)		4	4	4	4	4, 8, 12	1–24
Heated Dry	•	•	•	•	•	•	•
High Temperature Wash	•	•	•	•	•		•
Light Dry							•
Sani Rinse				•	•		•
RACK FEATURES							
Cup shelves		•	•	•	•	•	•
Rack coating	Vinyl	Vinyl	Vinyl	Vinyl	Nylon	Nylon	Nylon
Silverware basket	In-rack	In-rack	In-rack	In-door	In-door	In-rack	In-rack
COLORS							
Available colors	W / B / S	W / B / T / S	W / B / S	W / B / M	W / B / T / M	W / B / S	W / B / T / M
DIMENSIONS							
Max height (A)	34½"	34½"	34½"	34½"	34½"	34½"	34½"
Width (B)	23¾"	23¾"	23¾"	23¾"	23¾"	23¾"	23¾"
Depth (C)	24½"	24½"	24½"	24½"	24½"	24"	24½"
Depth with door open (D)	49½"	49½"	49½"	49½"	49½"	44½"	49½"

+ Indicates a step-up feature. Dimensions are shown for planning purposes only. For complete information, see Installation Instructions packed with product. *Per IEC standards.



WDT710PAH

Top Control Dishwasher



- Whirlpool handle
- 51 dBA*
- Sensor cycle
- In-door silverware basket
- 1-Hour Wash cycle



WDT730PAH

Top Control Dishwasher

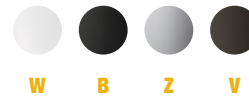


- Whirlpool handle
- 51 dBA*
- Sensor cycle
- 1-Hour Wash cycle
- + Stainless steel interior door & slate plastic tub
- + Fan Dry option
- + Adjustable upper rack



WDT750SAH

Top Control Dishwasher



- Whirlpool handle
- Sensor cycle
- 1-Hour Wash cycle
- Adjustable upper rack
- + 47 dBA*
- + TotalCoverage spray arm
- + Tap Touch controls
- + In-door silverware basket
- + Stainless steel tub



WDTA50SAH

Top Control Dishwasher



- Whirlpool pocket handle
- 47 dBA*
- Sensor cycle
- 1-Hour Wash cycle
- Adjustable upper rack
- TotalCoverage spray arm
- Tap Touch controls
- In-door silverware basket
- Stainless steel tub

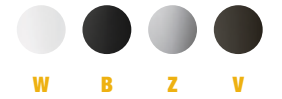


+ Indicates a step-up feature.
*Per IEC standards.



WDT970SAH

Top Control Dishwasher



- Whirlpool handle
- 47 dBA*
- Sensor cycle
- 1-Hour Wash cycle
- TotalCoverage spray arm
- Tap Touch controls
- In-door silverware basket
- Stainless steel tub
- + Third level rack



WDT975SAH

Smart Top Control Dishwasher



- Whirlpool handle
- 47 dBA*
- TotalCoverage spray arm
- Third level rack
- + Smart appliance
- + Download & Go™ option
- + Voice control with a compatible voice-enabled device**
- + Plastic Items cycle
- + Canning & Brewing Items cycle



WDTA75SAH

Smart Top Control Dishwasher



- Whirlpool contemporary handle
- 47 dBA*
- TotalCoverage spray arm
- Third level rack
- Smart appliance
- Download & Go™ option
- Voice control with a compatible voice-enabled device**
- Plastic Items cycle
- Canning & Brewing Items cycle



+ Indicates a step-up feature.
*Per IEC standards. **U.S. only.

Gold type indicates a step-up feature

MODEL	WDT710PAH	WDT730PAH	WDT750SAH	WDTA50SAH	WDT970SAH	WDT975SAH	WDTA75SAH
Sound level (dBA)	51	51	47	47	47	47	47
Cycle memory & cycle status indicator	•	•	•	•	•	•	•
Electronic controls	•	•	Tap Touch	Tap Touch	Tap Touch	Tap Touch	Tap Touch
ENERGY STAR® certified	•	•	•	•	•	•	•
Place setting capacity	13	15	15	15	15	15	15
Smart appliance: Voice control with a compatible voice-enabled device,** Download & Go™ option, maintenance alerts, guided service, enhanced troubleshooting & Scan-to-Connect technology						•	•
Soil sensor	•	•	•	•	•	•	•
TotalCoverage spray arm			•	•	•	•	•
DESIGN FEATURES							
Fully integrated console	•	•	•	•	•	•	•
Tub material	Slate plastic	Hybrid slate plastic & stainless steel interior door	Stainless steel	Stainless steel	Stainless steel	Stainless steel	Stainless steel
CYCLES							
Total number of cycles	5	5	5	5	5	7	7
1-Hour Wash	•	•	•	•	•	•	•
Canning & Brewing Items						•	•
Heavy	•	•	•	•	•	•	•
Normal	•	•	•	•	•	•	•
Plastic Items						•	•
Sensor	•	•	•	•	•	•	•
Soak & Clean	•	•	•	•	•	•	•
OPTIONS							
Total number of options	5	6	6	6	6	6	6
Control Lock	•	•	•	•	•	•	•
Delay Wash (hours)	1–24	1–24	2, 4, 8	2, 4, 8	1–24	1–24	1–24
Extended Dry			•	•	•	•	•
Fan Dry		•					
Heated Dry	•	•	•	•	•	•	•
High Temperature Wash	•	•	•	•	•	•	•
Sani Rinse	•	•	•	•	•	•	•
RACK FEATURES							
Adjustable upper rack		•	•	•			
Cup shelves	•	•	•	•	•	•	•
Lower rack folding tines		•					
Rack coating	Nylon	Nylon	Nylon	Nylon	Nylon	Nylon	Nylon
Silverware basket	In-door	In-rack	In-door	In-door	In-door	In-door	In-door
Third level rack					•	•	•
Upper rack folding tines			2	2	2	2	2
COLORS							
Available colors	W / B / Z	W / B / Z / V	W / B / Z / V	W / B / Z / V / N	W / B / Z / V	Z / V	Z / N
DIMENSIONS							
Max height (A)	34 ½"	34 ½"	34 ½"	34 ½"	34 ½"	34 ½"	34 ½"
Width (B)	23 ¾"	23 ¾"	23 ¾"	23 ¾"	23 ¾"	23 ¾"	23 ¾"
Depth (C)	24 ½"	24 ½"	24 ½"	24 ½"	24 ½"	24 ½"	24 ½"
Depth with door open (D)	49 ½"	49 ½"	49 ½"	49 ½"	49 ½"	49 ½"	49 ½"

Dimensions are shown for planning purposes only. For complete information, see Installation Instructions packed with product.

*Per IEC standards. **U.S. only.



WDF518SAH

Compact Dishwasher



- 52 dBA*
- 1-Hour Wash cycle
- Heated Dry option
- Delay Wash option
- ADA compliant



WDP370PAH

Portable Dishwasher



- 55 dBA*
- 1-Hour Wash cycle
- Heated Dry option
- Delay Wash option
- ADA compliant



MODEL	WDF518SAH	WDP370PAH
Sound level (dBA)	52	55
ADA compliant	•	•
Cycle memory	•	•
Electronic controls	•	•
ENERGY STAR® certified	•	•
Place setting capacity	8	12
Soil sensor		•
DESIGN FEATURES		
Type	Compact	Portable
Tub material	Stainless steel	White plastic
CYCLES		
Total number of cycles	5	3
1-Hour Wash/Quick Wash	•	•
Heavy	•	•
Light	•	
Normal	•	•
Rinse Only	•	
OPTIONS		
Total number of options	4	4
Control Lock	•	•
Delay Wash (hours)	1–24	4
Heated Dry	•	•
High Temperature Wash	•	•
RACK FEATURES		
Cup shelves	•	
Rack coating	Nylon	Vinyl
Silverware basket	In-rack	In-rack
COLORS		
Available colors	W / B / M	W / B
DIMENSIONS		
Max height (A)	35"	37"
Width (B)	17½"	24¼"
Depth (C)	22"	26½"
Depth with door open (D)	44½"	49½"

*Per IEC standards.

Dimensions are shown for planning purposes only. For complete information, see Installation Instructions packed with product.
*Per IEC standards.



GX900QPP

1.4 cu. ft. Undercounter Trash Compactor

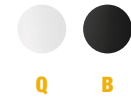


- Touch pad controls
- 1/3-HP motor
- 4:1 compaction ratio
- Automatic anti-jam
- Bag retainer buttons
- Easy Rollers™ installation wheels
- Side release bin
- Touch-Toe™ drawer opener
- Trash basket



GC900QPP

1.4 cu. ft. Convertible Trash Compactor



- Touch pad controls
- 1/3-HP motor
- 4:1 compaction ratio
- Automatic anti-jam
- Bag retainer buttons
- Easy Rollers™ installation wheels
- Side release bin
- Touch-Toe™ drawer opener
- Trash basket
- + Convertible freestanding-to-built-in



TU950QPX

1.4 cu. ft. Undercounter Trash Compactor



- 1/3-HP motor
- 4:1 compaction ratio
- Automatic anti-jam
- Bag retainer buttons
- Easy Rollers™ installation wheels
- Side release bin
- Touch-Toe™ drawer opener
- + Integrated controls

Gold type indicates a step-up feature

MODEL	GX900QPP	GC900QPP	TU950QPX
4:1 compaction ratio	•	•	•
Capacity (cu. ft.)	1.4	1.4	1.4
Motor	1/3-HP	1/3-HP	1/3-HP
DESIGN FEATURES			
Integrated controls			•
Touch pad controls	•	•	
COMPACTOR FEATURES			
Automatic anti-jam	•	•	•
Bag retainer buttons	•	•	•
Convertible freestanding-to-built-in		•	
Easy Rollers™ installation wheels	•	•	•
Front levelers/rear rollers	•	•	
"Hidden" removable key control knob	•	•	•
Side release bin	•	•	•
Tilt switch	•	•	•
Touch-Toe™ drawer opener	•	•	•
Trash basket	•	•	
COLORS			
Available colors	S	Q / B	S
DIMENSIONS			
Max height (A)	33 1/8"	34 1/8"	33 1/8"
Width (B)	15"	15"	15"
Depth (C)	24 1/8"	24 1/8"	24 1/8"

+ Indicates a step-up feature.

Dimensions are shown for planning purposes only. For complete information, see Installation Instructions packed with product.



GC1000XE/PE*

1/3-HP In-Sink Disposer

- 1/3-HP motor
- 1,725 RPM
- ABS grind chamber
- Continuous-feed operation
- Galvanized steel grinding wheel & shredder ring
- Locked-in mounting
- Overload protector with manual reset
- Stainless steel sink flange with 1-piece plastic stopper
- Stainless steel swivel impellers



GC2000XE/PE*

1/2-HP In-Sink Disposer

- 1,725 RPM
- ABS grind chamber
- Continuous-feed operation
- Galvanized steel grinding wheel & shredder ring
- Locked-in mounting
- Overload protector with manual reset
- Stainless steel sink flange with 1-piece plastic stopper
- Stainless steel swivel impellers
- + 1/2-HP motor



GC5000XE

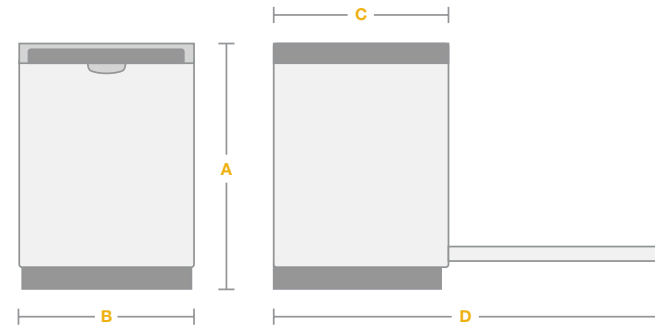
3/4-HP In-Sink Disposer

- 1,725 RPM
- ABS grind chamber
- Continuous-feed operation
- Locked-in mounting
- Overload protector with manual reset
- Stainless steel swivel impellers
- + 3/4-HP motor
- + Corrosion protection shield
- + High polish stainless steel sink flange with 1-piece stainless steel stopper
- + Sound insulation
- + Stainless steel grinding wheel & shredder ring

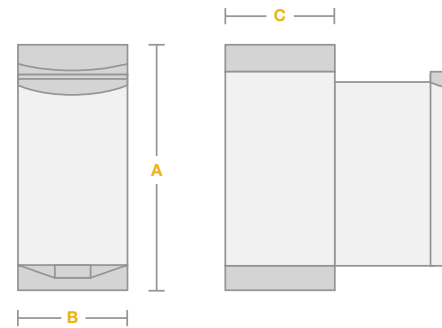
Gold type indicates a step-up feature

MODEL	GC1000XE	GC1000PE	GC2000XE	GC2000PE	GC5000XE
Continuous-feed operation	•	•	•	•	•
Corrosion protection shield					•
Dishwasher connection	•	•	•	•	•
Drain chamber	ABS	ABS	ABS	ABS	ABS
Drain connection	1½"	1½"	1½"	1½"	1½"
Grinding chamber capacity	26 oz	26 oz	26 oz	26 oz	26 oz
Grinding chamber material	ABS	ABS	ABS	ABS	ABS
Grinding wheel	Galvanized steel	Galvanized steel	Galvanized steel	Galvanized steel	Stainless steel
Jam release	Wrench	Wrench	Wrench	Wrench	Wrench
Locked-in mounting	•	•	•	•	•
Manual reset	•	•	•	•	•
Max spin speed (RPM)	1,725	1,725	1,725	1,725	1,725
Motor	½-HP	½-HP	½-HP	½-HP	¾-HP
Motor type	Induction	Induction	Induction	Induction	Induction
Overload protector	•	•	•	•	•
Power cord (included)		3½'		3½'	
Shredder ring	Galvanized steel	Galvanized steel	Galvanized steel	Galvanized steel	Stainless steel
Sink flange	Stainless steel	Stainless steel	Stainless steel	Stainless steel	Stainless steel
Sound insulation					•
Starting method	Centrifugal switch	Centrifugal switch	Centrifugal switch	Centrifugal switch	Centrifugal switch
Stopper	Plastic w/seal	Plastic w/seal	Plastic w/seal	Plastic w/seal	1 piece stainless steel
Swivel impellers	360° stainless steel	360° stainless steel	360° stainless steel	360° stainless steel	360° stainless steel

+ Indicates a step-up feature.
*Plug and cord accessory included.



DISHWASHERS	MAX HEIGHT (A)	WIDTH (B)	DEPTH (C)	DEPTH WITH DOOR OPEN (D)
WDF130PAH	34 1/2"	23 7/8"	24 1/2"	49 1/2"
WDF330PAH	34 1/2"	23 7/8"	24 1/2"	49 1/2"
WDF331PAH	34 1/2"	23 7/8"	24 1/2"	49 1/2"
WDF520PAD	34 1/2"	23 7/8"	24 1/2"	49 1/2"
WDF540PAD	34 1/2"	23 7/8"	24 1/2"	49 1/2"
WDF550SAH	34 1/2"	23 3/16"	24"	44 1/2"
WDF560SAF	34 1/2"	23 7/8"	24 1/2"	49 1/2"
WDF518SAH	35"	17 1/2"	22"	44 1/2"
WDP370PAH	37"	24 1/8"	26 1/2"	49 1/2"
WDT710PAH	34 1/2"	23 7/8"	24 1/2"	49 1/2"
WDT730PAH	34 1/2"	23 7/8"	24 1/2"	49 1/2"
WDT750SAH	34 1/2"	23 7/8"	24 1/2"	49 1/2"
WDTA50SAH	34 1/2"	23 7/8"	24 1/2"	49 1/2"
WDT970SAH	34 1/2"	23 7/8"	24 1/2"	49 1/2"
WDT975SAH	34 1/2"	23 7/8"	24 1/2"	49 1/2"
WDTA75SAH	34 1/2"	23 7/8"	24 1/2"	49 1/2"



TRASH COMPACTORS	MAX HEIGHT (A)	WIDTH (B)	DEPTH (C)
GX900QPP	33 7/8"	15"	24 3/8"
GC900QPP	34 3/16"	15"	24 3/8"
TU950QPX	33 7/8"	15"	24 3/8"



FOOD DISPOSERS	MAX HEIGHT (A)	DIAMETER (B)
GC1000XE	11 3/8"	6 3/16"
GC1000PE	11 3/8"	6 3/16"
GC2000XE	11 3/8"	6 3/16"
GC2000PE	11 3/8"	6 3/16"
GC5000XE	12 3/4"	6 3/4"

Dimensions are shown for planning purposes only. For complete information, see Installation Instructions packed with product.



CLEANING & MAINTENANCE		PART NO.	
1	affresh® Dishwasher Cleaner	Specially formulated to help remove limescale and mineral build-up that can be unsightly and could affect your dishwasher's performance. Cleans inside your machine while your detergent safely cleans your dishes. Contains 6 tablets.	W10282479
2	affresh® Disposal Cleaner	Specially formulated to clean and remove odor causing residues from your disposal with a powerful foaming action. Contains 3 tablets.	W10509526
3	affresh® Stainless Steel Cleaning Mousse	Specially formulated to eliminate overspray, dripping, and waste for a direct, even coverage that gently cleans fingerprints, smudges, and other residues from your stainless steel appliances. 10oz.	W11042466
4	affresh® Stainless Steel Cleaning Spray	Specially formulated to stay where it's sprayed, for minimal run-off and easy cleaning. 12oz.	W11042467
5	affresh® Stainless Steel Cleaning Wipes	Gently clean fingerprints, smudges and other residues on all stainless steel surfaces including refrigerators, range hoods, ovens, dishwashers, and microwaves for a streak-free shine. Dual-sided design provides durability—2X thicker than the leading stainless steel wipe—and built in Micro-Grab Fibers™ help trap residue to keep your machine looking like new. Contains 28 wipes.	W10539769
6	Dishwasher Rack Repair Kit (Blue)	Includes everything you need to repair your dishwasher rack tines. It contains 150 tine tips, a 4-oz bottle of vinyl touch-up paint/adhesive with a brush and instruction sheet.	4396839RC
7	Dishwasher Rack Repair Kit (Gray)	Includes everything you need to repair your dishwasher rack tines. It contains 150 tine tips, a 4-oz bottle of vinyl touch-up paint/adhesive with a brush and instruction sheet.	4396840RC
8	Dishwasher Rack Repair Kit (White)	Includes everything you need to repair your dishwasher rack tines. It contains 150 tine tips, a 4-oz bottle of vinyl touch-up paint/adhesive with a brush and instruction sheet.	4396838RC
DISHWASHER RACK ACCESSORIES			
9	Small Items Bag	Holds extra-small utensils, contact cases and other small items that would normally slip through the dishwasher rack.	8519716
10	Small Items Basket	Fits all Whirlpool® dishwashers. It holds baby items, jar lids and other small utensils that would normally slip through the dishwasher rack.	3370993RB
HOSES & FITTINGS			
11	6' Braided Hose (without Teflon® tape)	Includes: 3/8" brass elbow, 3/8" brass compression fitting and 3/4" brass swivel gooseneck fitting.	W10278635RP
12	6' Braided Hose (with Teflon® tape)	Includes: 3/8" brass elbow, 3/8" brass compression fitting and 3/4" brass swivel gooseneck fitting.	W10278636RC
13	12' Drain Hose (Tall Tub)	No-kink design is made for hot water.	3385556
14	12' Drain Hose	No-kink design is made for hot water.	8531858
15	6' Drain Hose	No-kink design is made for hot water.	8269144A
16	4' Red EPDM Hose (retail polybag)	Includes: 3/8" brass elbow, 3/8" brass compression fitting and 3/4" brass swivel gooseneck fitting.	W10278625RP
17	5' Red EPDM Hose (retail polybag)	Includes: 3/8" brass elbow, 3/8" brass compression fitting and 3/4" brass swivel gooseneck fitting.	W10278626RP
18	6' Red EPDM Hose (retail polybag)	Includes: 3/8" brass elbow, 3/8" brass compression fitting and 3/4" brass swivel gooseneck fitting.	W10278627RP
19	6' Red EPDM Hose (retail clamshell)	Includes: 3/8" brass elbow, 3/8" brass compression fitting and 3/4" brass swivel gooseneck fitting.	W10278627RC
20	Swivel Gooseneck Fitting	Space-saving 90° design makes this 3/4" x 3/8" elbow hose fitting perfect for easy dishwasher installation. A 3/8" brass compression fitting is included. Required on dishwashers produced after 2009.	W10685193
POWER CORDS			
21	5', 3-Prong Dishwasher Power Cord Kit	Take home everything you need to bring power to your dishwasher with the UL-listed power cord, strain relief, wire nuts and installation instructions.	4317824
22	6', 3-Prong Dishwasher Power Supply Kit	This 6', 90° UL-listed power cord kit fits dishwashers from most major brands and includes a power cord, metal strain relief bracket, wire nuts and instructions.	W10278923RP
MOUNTING KITS			
23	Undercounter Mounting Kit	Works with all standard size dishwashers. Can be used with solid surfaces, including granite.	W10426979

*Check manufacturer's suggested cleaning instructions on all dishwasher-safe items.

#

1-HOUR WASH CYCLE

Thoroughly cleans your dishes in nearly half the time.*

This hour-long cycle helps you take care of dirty dishes when you are in a rush.

A**ADA COMPLIANT**

This dishwasher meets the Standards for Accessible Design specified by the Americans with Disabilities Act to provide equal access to all.

ADJUSTABLE UPPER RACK

Manually raise or lower the upper rack two inches to better fit tall items.

AUTOMATIC ANTI-JAM

If the door of a Whirlpool® trash compactor is opened during operation, the compression ram will automatically reverse to prevent jamming.

C**CANNING & BREWING ITEMS CYCLE**

Download this specialty cycle** to clean heavily soiled items like those used for canning or brewing using higher water temperatures.

CEE TIER STANDARDS

Based on the Consortium for Energy Efficiency (CEE) qualifying product lists. Visit cee1.org for more information.

CUP SHELVES

Stack two levels of coffee mugs or small cups and secure delicate glassware when used as a stemware holder in the upper rack.

CYCLE MEMORY

Whirlpool® dishwashers remember the last cycle you picked and automatically choose it for you the next time.

CYCLE STATUS INDICATOR

The fully lit display will glow for wash, drain, drying, sanitized and clean. It will also display the remaining time for the cycle in hours and minutes.

D**DELAY WASH OPTION**

Wash dishes according to your schedule. This option lets you delay washing for up to 24 hours until off-peak hours when utility rates may be lower.

DOWNLOAD & GO™ OPTION

Get customized care for every mess. Combine select cycles and options to create unique settings you can send to your dishwasher from your smartphone.**

E**EASY ROLLERS™ INSTALLATION WHEELS**

Easily position your Whirlpool® compactor where you need it with the Easy Rollers™ installation wheels.

ENERGY STAR® CERTIFIED

Exceeds government standards to help conserve natural resources and save money on utility bills.

ENHANCED TROUBLESHOOTING

Get immediate support for quick solutions by using a smartphone or tablet to access troubleshooting videos.†

F**FAN DRY OPTION**

Get cabinet-dry dishes straight from the dishwasher with a fan that pushes out moist air and helps pull in fresh, dry air.

FOLDING TINES

Secure dishes during the wash cycle or fold down to create space for larger items.

G**GLASS CYCLE**

Glassware comes out clean, clear and ready to use with this cycle designed to prevent watermarks.

GUIDED SERVICE

Keep track of scheduled appointments and make sure issues are known using the Whirlpool® app to send data from the appliance directly to Whirlpool brand customer service.†

H**HEATED DRY OPTION**

Dries dishes with heat. For best drying results, use this option with rinse aid.

HEAVY CYCLE

Adds more time to the cycle to clean heavily soiled items.

HIGH TEMPERATURE WASH OPTION

Choose this option when additional cleaning of items like baby bottles, glassware or dishes is required.

I**IN-DOOR SILVERWARE BASKET**

Designed to clean better and fit in four places for maximum flexibility, the in-door silverware basket rests on two locations in the bottom rack, the front of the lower rack or in the door for 100% usable rack space.

IN-RACK SILVERWARE BASKET

Silverware gets its own place in the dishwasher with the in-rack silverware basket.

INTEGRATED CONSOLE

This sleek exterior control panel is hidden away.

M**MAINTENANCE ALERTS**

Get notified when it's time to clean or change the filter with an alert sent straight to your smartphone.†

N**NORMAL CYCLE**

Use for loads with normal amounts of food soil. This cycle is great for everyday loads.

NYLON RACKS

Durable nylon coating helps resist rust and prevent scratching.

P**PLASTIC ITEMS CYCLE**

Download this specialty cycle** to get the gentle cleaning and lower temperatures needed for softer plastic items.

Q**QUICK WASH CYCLE**

Use for prerinsed or lightly soiled loads.

R**RINSE ONLY CYCLE**

Keeps food from drying on your dishes and reduces odor build up in your dishwasher until you are ready to wash a full load.

S**SANI RINSE OPTION**

Sanitizes dishes by eliminating 99.999% of food soil bacteria.

SCAN-TO-CONNECT TECHNOLOGY

You don't need to be a tech expert to connect your new dishwasher. Simply open the Whirlpool® app, add your dishwasher and follow the guided experience to get up and running quickly.**

SENSOR CYCLE

Automatically selects the right wash and dry settings for your load by using two separate sensors to measure temperature, soil level and load size once during the prewash and once during the wash cycle. It cleans tough soils using just the right amount of time, energy and water.

SLIDING TINES

Move left or right to fit your dishes. Now you have twice the space between tines to fit larger bowls for optimal cleaning.

SOAK & CLEAN CYCLE

Quietly soaks dishes with an extended prewash, which eliminates the need to presoak dishes before loading in the dishwasher. This cycle is ideal for loads with heavy amounts of dried-on or hard-to-clean baked-on food.

*Compared to Normal cycle with lightly soiled loads. **Appliance must be set to remote enable. WiFi & App Required. Features subject to change. Details and privacy info at whirlpool.com/connect. †WiFi & App Required. Features subject to change. Details and privacy info at whirlpool.com/connect.

**Appliance must be set to remote enable. WiFi & App Required. Features subject to change. Details and privacy info at whirlpool.com/connect. †WiFi & App Required. Features subject to change. Details and privacy info at whirlpool.com/connect.

SOIL SENSOR

Determines how dirty dishes are and adjusts the Normal cycle as needed to make sure dishes come out clean.

STAINLESS STEEL INTERIOR

Retains heat from wash and rinse cycles to promote drying. The stainless steel interior also cools faster than the dishes, allowing moisture to condense on the interior walls and drawing additional water off the hotter dishes.

T

THIRD LEVEL RACK

Take advantage of 35% more rack space to load more dishes and get extra room for hard to fit items, like spatulas, large spoons or chef's knives.*

TOTALCOVERAGE SPRAY ARM

Cleans with twice the jets** for more coverage. A smarter sequence of spray patterns from multiple nozzles hits dishes throughout the cycle with increased water pressure, so you can be sure they're all clean and ready to go.

TOUCH-TOE™ DRAWER OPENER

Easily open Whirlpool® trash compactors without your hands using the Touch-Toe™ drawer opener. A light tap of the toe is all that's needed to release the drawer.

TOUCH PAD CONTROLS

Trash compactors feature easy-to-operate touch pad controls on the front of the compactor.

V

VOICE CONTROL WITH A COMPATIBLE VOICE-ENABLED DEVICE†

Control your dishwasher no matter what you've got on your hands with simple voice commands using the Google Assistant or an Alexa-enabled device.††